



Chipsmall Limited consists of a professional team with an average of over 10 year of expertise in the distribution of electronic components. Based in Hongkong, we have already established firm and mutual-benefit business relationships with customers from,Europe,America and south Asia,supplying obsolete and hard-to-find components to meet their specific needs.

With the principle of “Quality Parts,Customers Priority,Honest Operation,and Considerate Service”,our business mainly focus on the distribution of electronic components. Line cards we deal with include Microchip,ALPS,ROHM,Xilinx,Pulse,ON,Everlight and Freescale. Main products comprise IC,Modules,Potentiometer,IC Socket,Relay,Connector.Our parts cover such applications as commercial,industrial, and automotives areas.

We are looking forward to setting up business relationship with you and hope to provide you with the best service and solution. Let us make a better world for our industry!



Contact us

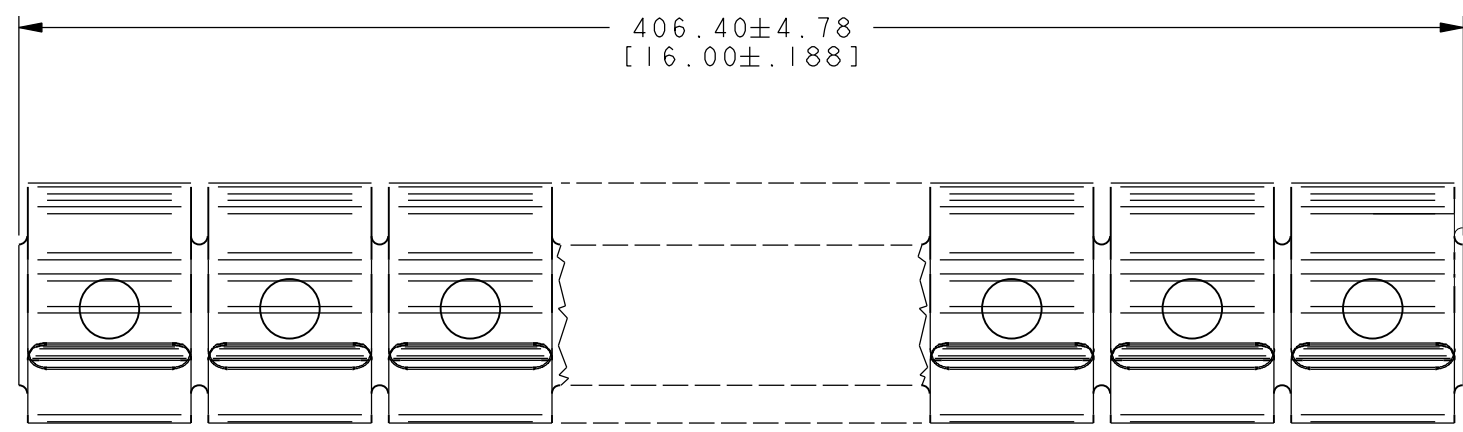
Tel: +86-755-8981 8866 Fax: +86-755-8427 6832

Email & Skype: info@chipsmall.com Web: www.chipsmall.com

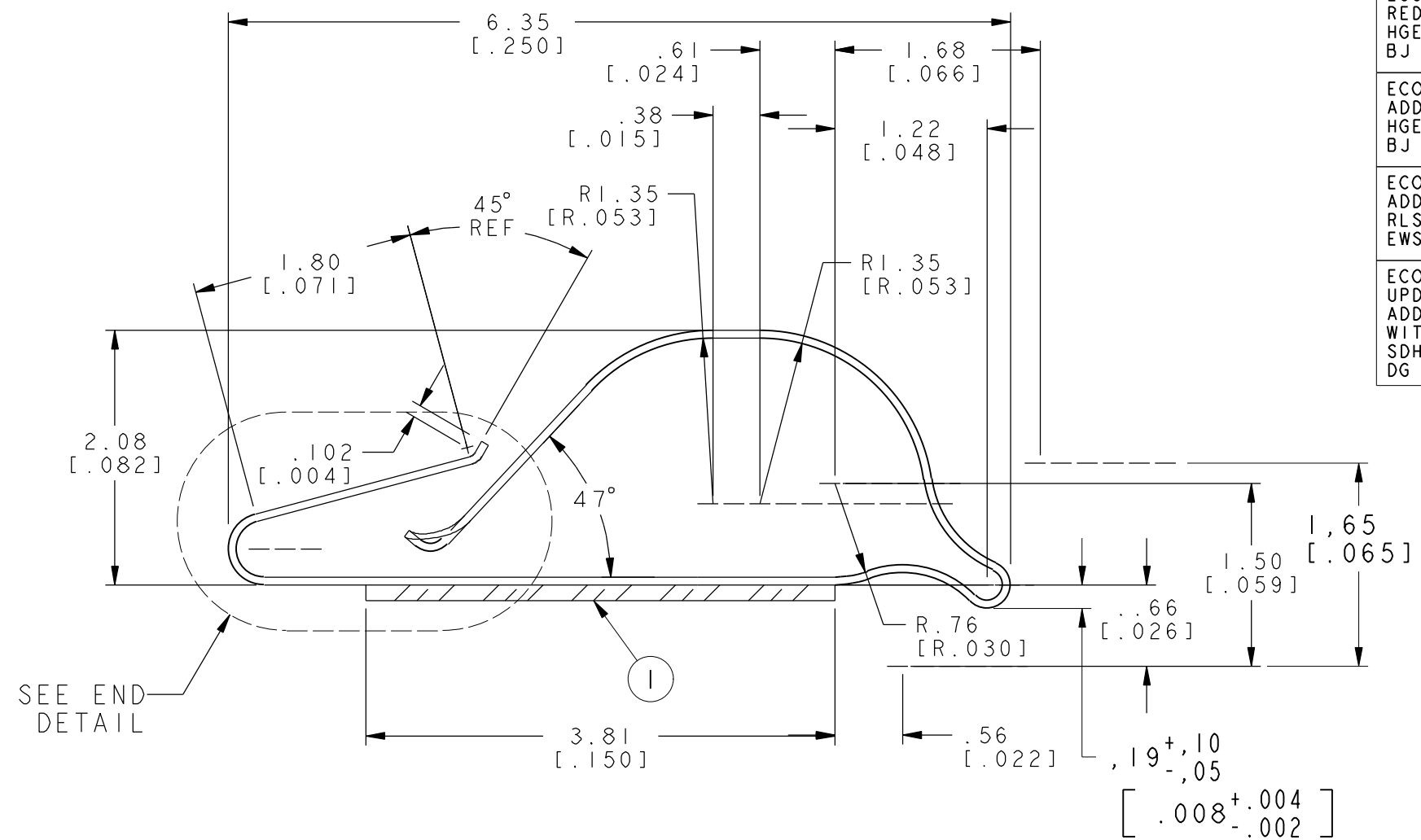
Address: A1208, Overseas Decoration Building, #122 Zhenhua RD., Futian, Shenzhen, China



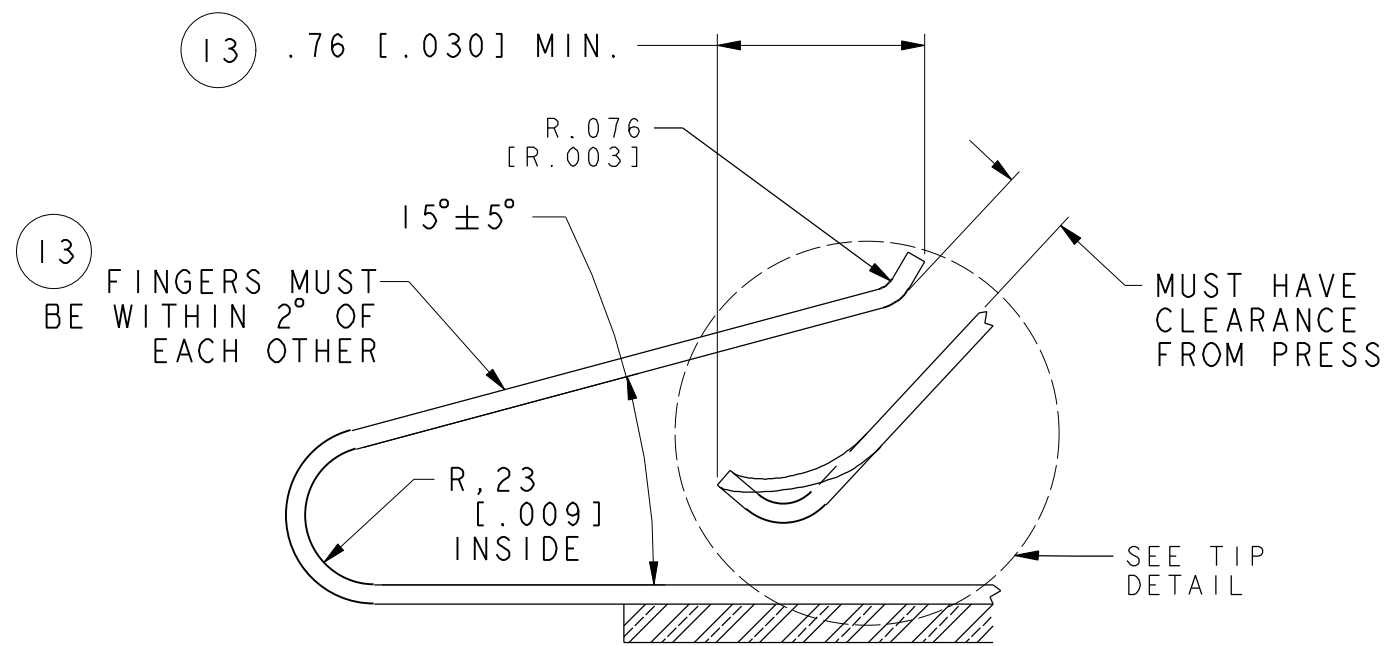
DWG NO:	0097-0542
REVISIONS	
ECO-E4047 REDRAWN, .LBS/M WAS 10.6 HGE 04/19/89 BJ 04/19/89	10
ECO-E4572 ADDED MAT'L TEST NOTE HGE 09/12/89 BJ 09/12/89	11
ECO-E4929 ADDED DIMENSIONS RLS 01/30/90 EWS 01/30/90	12
ECO-E5167 UPDATED FORMAT ADDED .030 MIN DIM AND WITHIN 2° NOTE SDH 09/27/05 DG 09/27/05	13



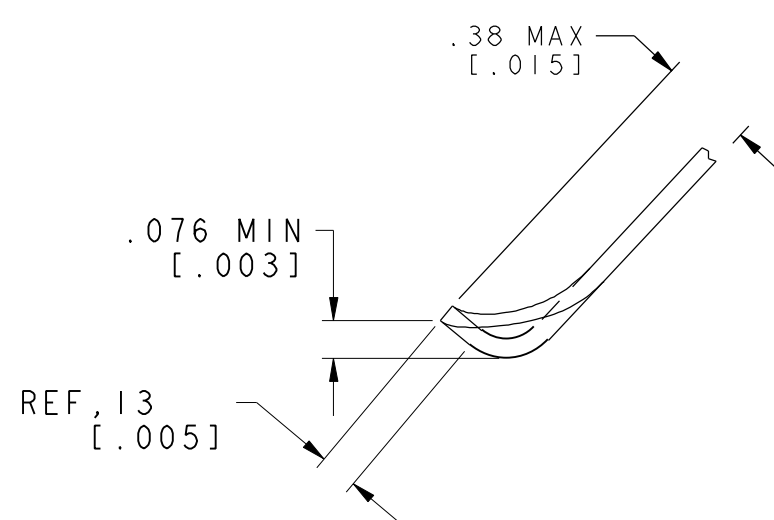
TOP FORMED VIEW



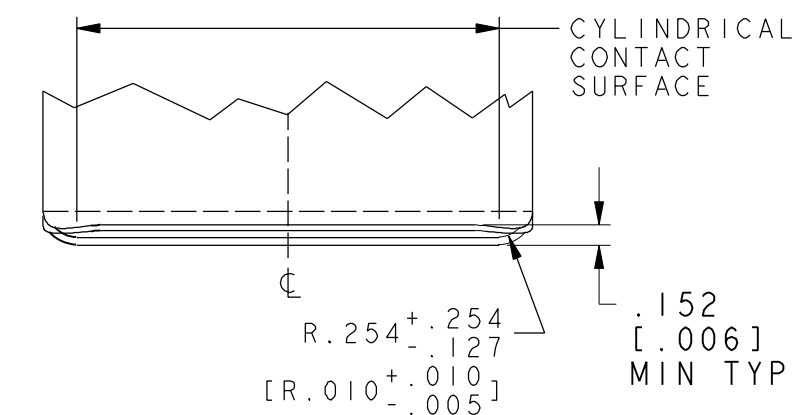
PART END PROFILE



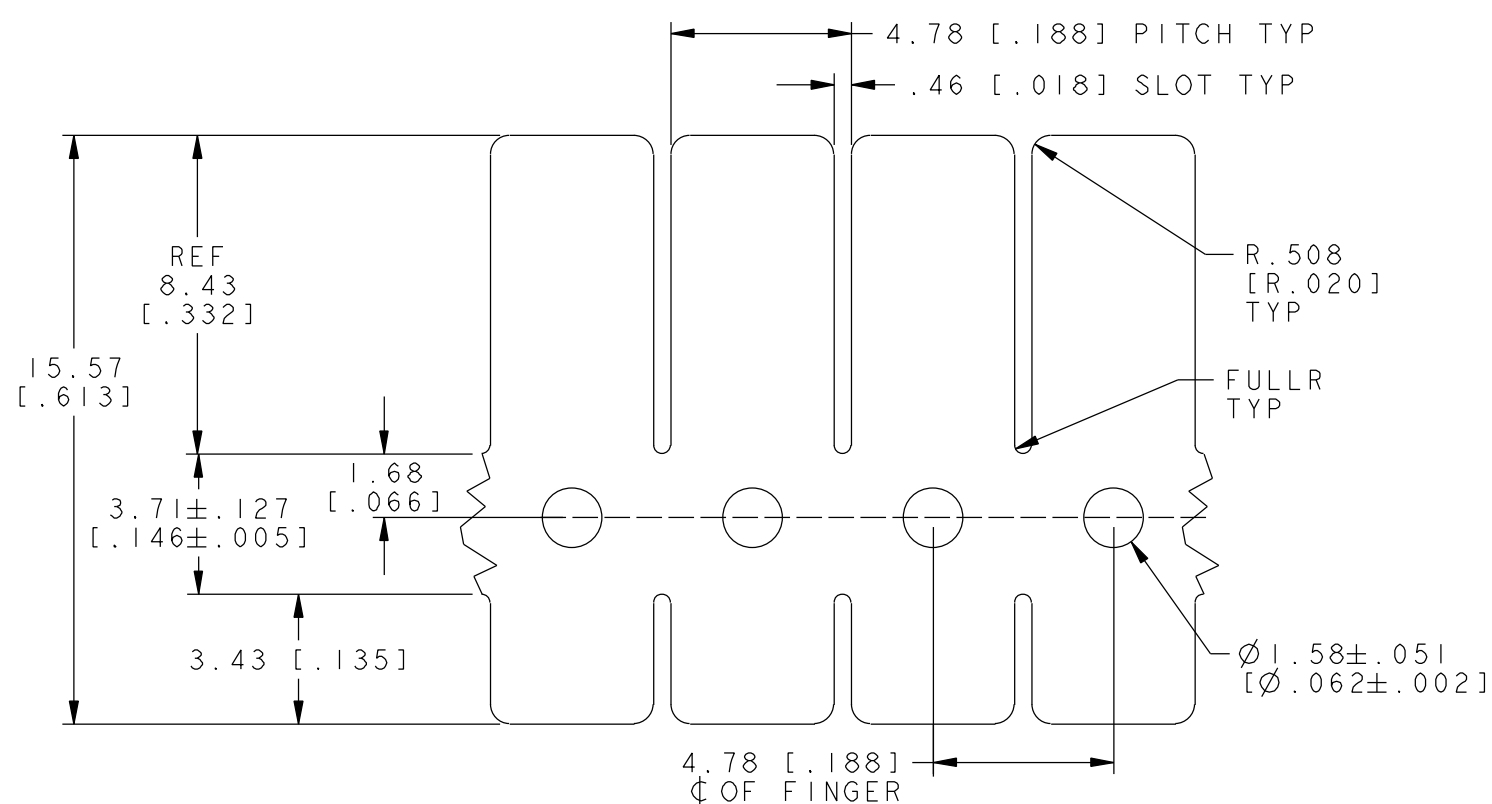
END DETAIL



TIP DETAIL



FINGER DETAIL



FLAT PATTERN

NOTE: WHEN SUPPLIED IN 25 FT. LENGTH CUT FROM PRESS TO BE 25 FT. 2.5 IN. ± 2 IN.

MATERIAL TEST: (11)
CUT 6.35 [0.250] WIDE SPECIMEN ACROSS STRIP, BEND 90° WITH WIPING MOTION AROUND 3.18 [0.125] DIA PIN. WHEN RELEASED THE RADIUS OF THE BEND SHALL BE 2.29-2.54 [0.090-.100] OR TENSILE STRENGTH, 70,000-80,000 PSI

1	3.81 [0.150] PRESSURE SENSITIVE TAPE (SEE DWG 0097- 0446)
ITEM	DESCRIPTION
MATERIAL:	.064±.005 THICK [.0025±.0002] BeCu ALLOY 25 1/4 HARD
HEAT TREAT:	TO MEET PERFORMANCE TEST (DPH 373 USING 200 GRAM LOAD)
THICKNESS AFTER:	CLEANING AND BEFORE PLATING: .053 [0.0021] MIN
FINISH:	AS REQUIRED
TOLERANCES NOT SHOWN	
DECIMAL 2 PL'S ± .508 [0.020]	
DECIMAL 3 PL'S ± .254 [0.010]	
ANGULAR ± 3°	
THIRD ANGLE PROJECTION	
UNITS: MM SCALE: NTS	
CAD MAINTAINED DRAWING. MANUAL CHANGES UNAUTHORIZED.	



DRAWN BY:	DATE:
HGE	04/19/89
CHECKED:	DATE:
BJ	05/11/89
APPROVED:	DATE:
BJ	05/11/89

LAIRD STANDARD	
REF. DWG. NO. DOUBLE FOLDED SHIELDING STRIP	DWG. NO. 0097-0542
SHEET 1 OF 1	
REV 13	