



Chipsmall Limited consists of a professional team with an average of over 10 year of expertise in the distribution of electronic components. Based in Hongkong, we have already established firm and mutual-benefit business relationships with customers from,Europe,America and south Asia,supplying obsolete and hard-to-find components to meet their specific needs.

With the principle of “Quality Parts,Customers Priority,Honest Operation,and Considerate Service”,our business mainly focus on the distribution of electronic components. Line cards we deal with include Microchip,ALPS,ROHM,Xilinx,Pulse,ON,Everlight and Freescale. Main products comprise IC,Modules,Potentiometer,IC Socket,Relay,Connector.Our parts cover such applications as commercial,industrial, and automotives areas.

We are looking forward to setting up business relationship with you and hope to provide you with the best service and solution. Let us make a better world for our industry!



## Contact us

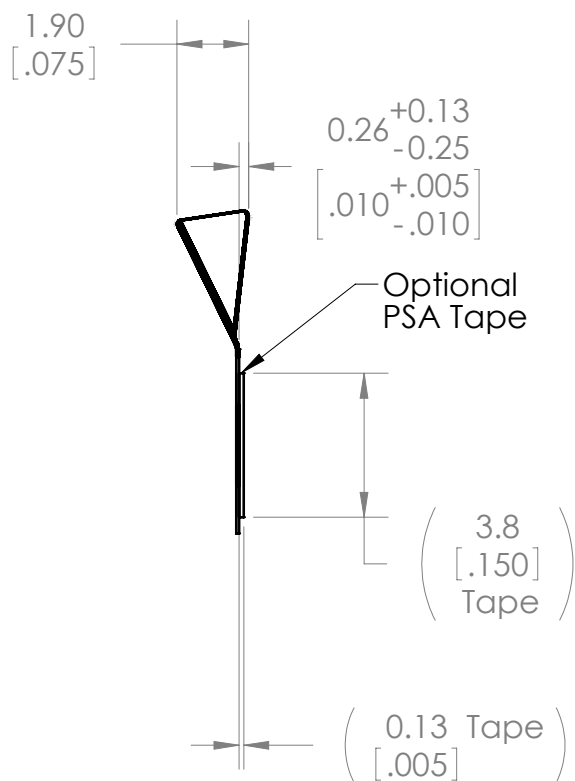
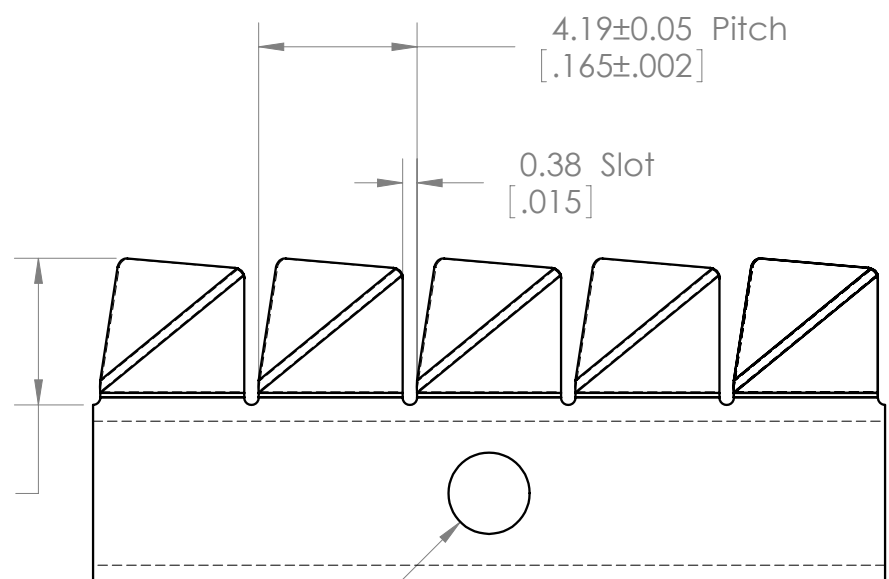
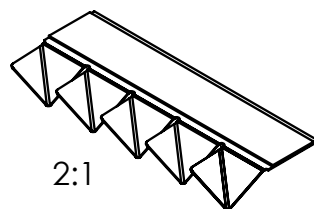
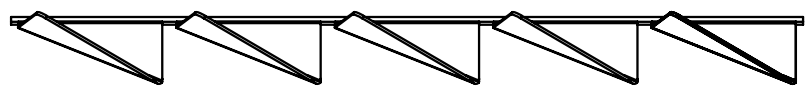
Tel: +86-755-8981 8866 Fax: +86-755-8427 6832

Email & Skype: info@chipsmall.com Web: www.chipsmall.com

Address: A1208, Overseas Decoration Building, #122 Zhenhua RD., Futian, Shenzhen, China



REVISION TABLE					
REV.	ECO #	DESCRIPTION	DATE	BY	APPROVED
24	AC095112	MODIFIED DIMENSIONING SCHEME UPDATED TO SOLIDWORKS	12/16/09	MF	TW



( 3.88  
[.153] )

( Ø2.15  
[.085] )

0.19  
[.008]  
PARTING TAB  
MAY BE PRESENT  
TYP

( 3.8  
[.150]  
Tape )

( 0.13 Tape  
[.005] )

611.5±2.1  
[24.075±.083]

8.64  
[.340]

4.67  
[.184]

1:1  
FLAT BLANK

Fixturing Holes  
For Finish Requirements  
May Be Present

**APPROVED**  
By Tim Wrona at 7:22 am, Dec 17, 2009

This 2d drawing is generated from a 3d solid model. Refer to 3d model for any dimensions not shown on this drawing. 3d model dimensions will always take precedent over drawing dimensions.

Block tolerances apply to metric units only. Dual dimensions shown are for reference only and are displayed in 3 places for conversion purposes only.

UNITS: MM (INCH)

TOLERANCES:  
.X = ± .4  
.XX = ± .2  
.XXX = ± .1

ANGULAR:  
X.X° = ± 3.0°  
X.XX° = ± 1.0°



3RD ANGLE PROJECTION  
DESIGNED IN SOLIDWORKS

MATERIAL:  
BECU ALLOY 25 1/2 H

HEAT TREAT:  
DHP 383 MINIMUM  
(500 GRAM LOAD)

FINISH:  
PLATING OPTIONS AS REQUIRED

STD THICKNESS: (0077)  
0.076 ± .005 [.0030]  
ULTRA SOFT THICKNESS: (0078)  
0.051 ± .005 [.0020]

PRODUCTION DRAWING  
CONTROLLED DOCUMENT

ROHS COMPLAINT: (BASE PART)  
YES

PART NUMBER SERIES: STANDARD  
0097-0555  
REV: 24  
DATE: 12/16/2009  
PART NUMBER SERIES: ULTRA SOFT  
0078-0555  
MODEL/DRAWN BY: MF  
APPROVED BY: TW

INFORMATION CONTAINED IN THIS DOCUMENT IS CONFIDENTIAL AND PROPRIETARY TO LAIRD TECHNOLOGIES. IT MAY NOT BE DISCLOSED TO ANYONE WITHOUT WRITTEN AUTHORIZATION FROM LAIRD TECHNOLOGIES

SCALE: 5:1

SHEET 1 OF 1

SIZE  
**B**