



Chipsmall Limited consists of a professional team with an average of over 10 year of expertise in the distribution of electronic components. Based in Hongkong, we have already established firm and mutual-benefit business relationships with customers from,Europe,America and south Asia,supplying obsolete and hard-to-find components to meet their specific needs.

With the principle of “Quality Parts,Customers Priority,Honest Operation,and Considerate Service”,our business mainly focus on the distribution of electronic components. Line cards we deal with include Microchip,ALPS,ROHM,Xilinx,Pulse,ON,Everlight and Freescale. Main products comprise IC,Modules,Potentiometer,IC Socket,Relay,Connector.Our parts cover such applications as commercial,industrial, and automotives areas.

We are looking forward to setting up business relationship with you and hope to provide you with the best service and solution. Let us make a better world for our industry!



Contact us

Tel: +86-755-8981 8866 Fax: +86-755-8427 6832

Email & Skype: info@chipsmall.com Web: www.chipsmall.com

Address: A1208, Overseas Decoration Building, #122 Zhenhua RD., Futian, Shenzhen, China



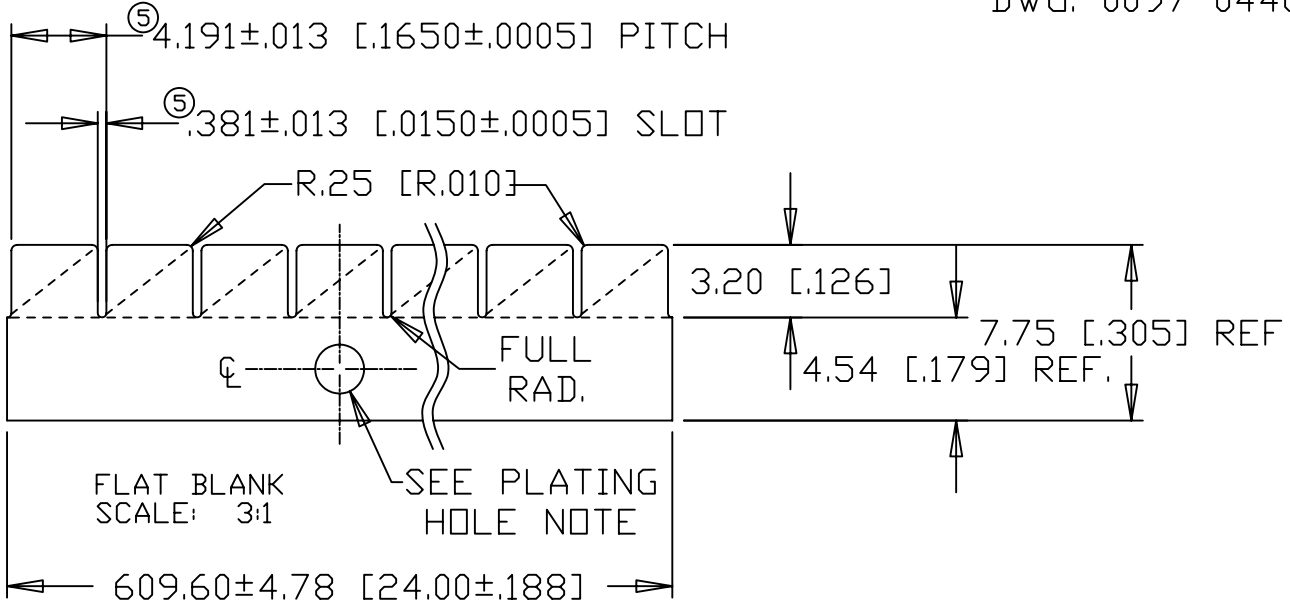
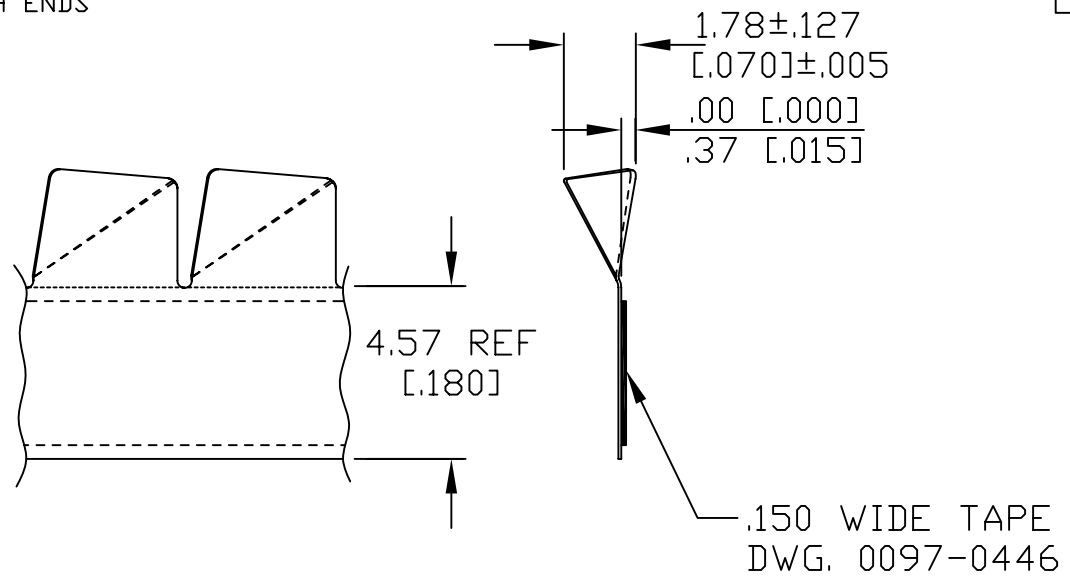
| | |
|---|----|
| .450 MAT'L. WIDTH WAS .484 WIDE ECN 4005 RCC 04/25/89 BJ 04/25/89 | 03 |
| ADD C.T.L. DP. ECN 4624 RCC 10/23/89 EWS 10/24/89 | 04 |
| ECD-E1300 ADDED PITCH & SLOT TDL. RKM 10/22/99 EWS 10/25/99 | 05 |


PLATING HOLES

Φ OF 4TH FINGER TYP BOTH ENDS
Φ OF PART ±1 FINGER
Ø2.159±.0508 [Ø.085±.002]

NOTE:

WHEN SUPPLIED IN
25 FOOT COILS, LENGTH
CUT FROM PRESS TO
BE 25'-2½"±2".



| | | | | | | |
|---|-------------------------|-----------------------------|---|----------------|----------------|----|
| MATERIAL: .076±.005 X 11.430±.076 [.003±.0002 X .450±.003] BeCu ALLOY 25 1/2 HARD | TOLERANCES NOT SHOWN | |  DELAWARE WATER GAP PENNSYLVANIA | DRAWN BY: JR | DATE: 11/15/88 | |
| | DECIMAL 2 PL'S ± --- | DECIMAL 3 PL'S ± .127[.005] | | CHECKED BY: BJ | DATE: 11/15/88 | |
| HEAT TREAT: TO DPH 383 MIN. USING A 500 GRAM LOAD | ANGULAR ± --- | THIRD ANGLE PROJECTION | APPROVED BY: BJ | DATE: 11/15/88 | | |
| THICKNESS AFTER: CLEANING AND BEFORE PLATING: .066 [0.0026] MIN. | UNITS: MM [INCH] | SCALE: 5:1 | LAIRD STANDARD | | | |
| FINISH: AS REQUIRED | 3.0 [0.118] FLAT SERIES | | | DWG. NO. | SUB | |
| CAD MAINTAINED DRAWING. MANUAL CHANGES UNAUTHORIZED. | | | | | 0097-0559-XX | 05 |