



Chipsmall Limited consists of a professional team with an average of over 10 year of expertise in the distribution of electronic components. Based in Hongkong, we have already established firm and mutual-benefit business relationships with customers from,Europe,America and south Asia,supplying obsolete and hard-to-find components to meet their specific needs.

With the principle of “Quality Parts,Customers Priority,Honest Operation,and Considerate Service”,our business mainly focus on the distribution of electronic components. Line cards we deal with include Microchip,ALPS,ROHM,Xilinx,Pulse,ON,Everlight and Freescale. Main products comprise IC,Modules,Potentiometer,IC Socket,Relay,Connector.Our parts cover such applications as commercial,industrial, and automotives areas.

We are looking forward to setting up business relationship with you and hope to provide you with the best service and solution. Let us make a better world for our industry!



## Contact us

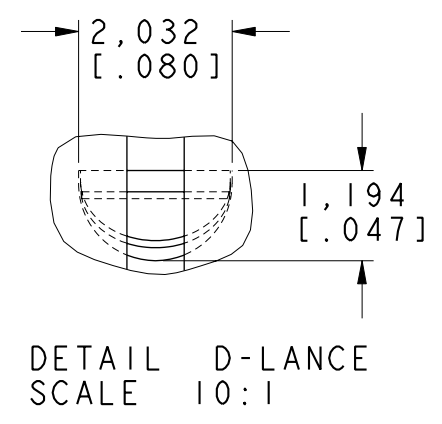
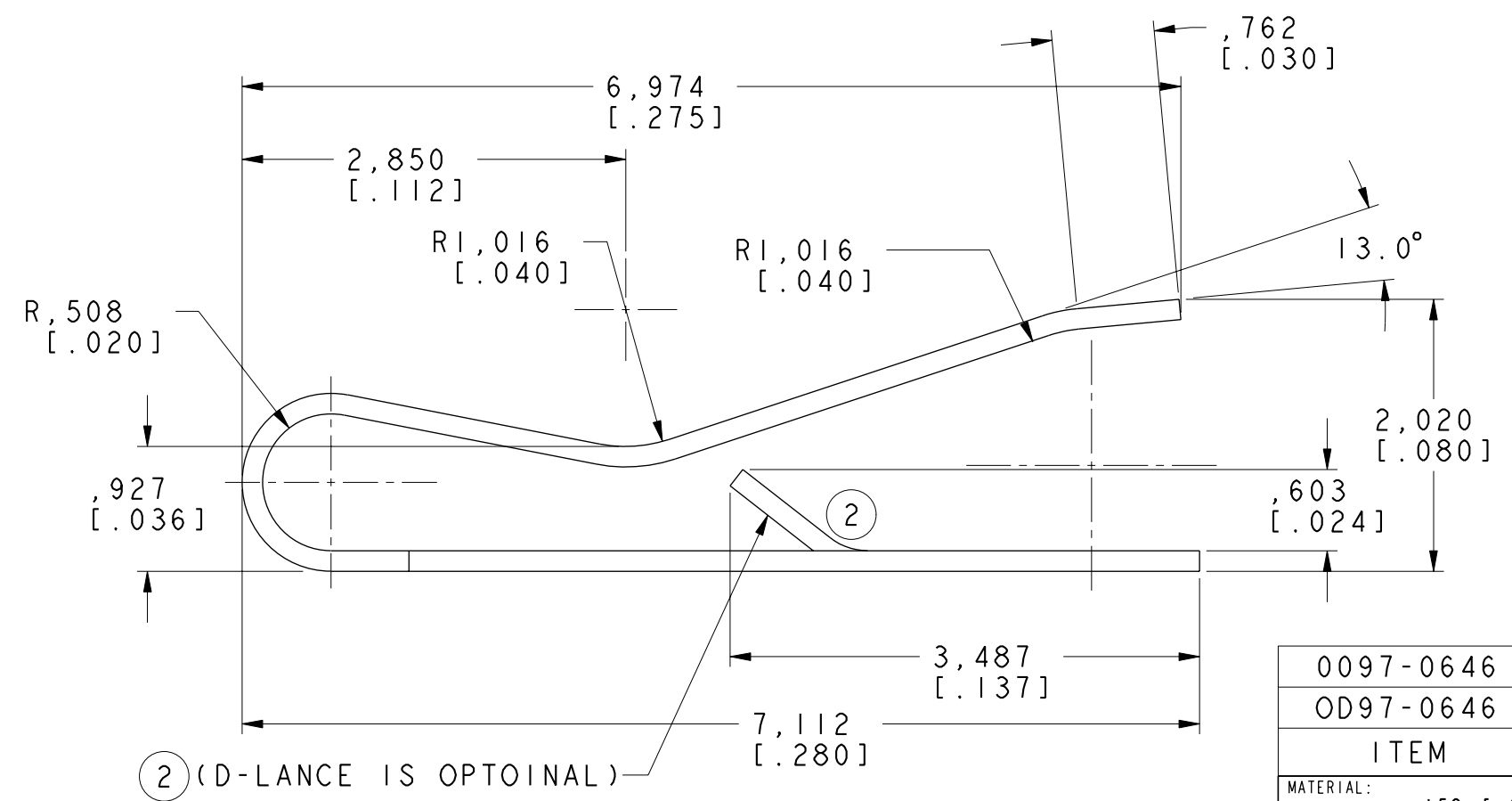
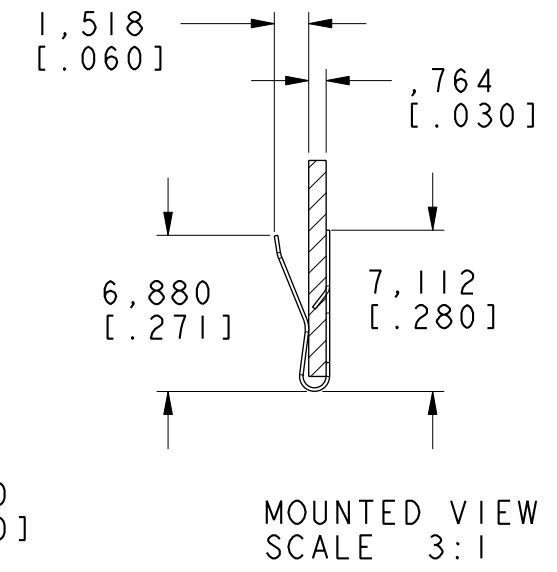
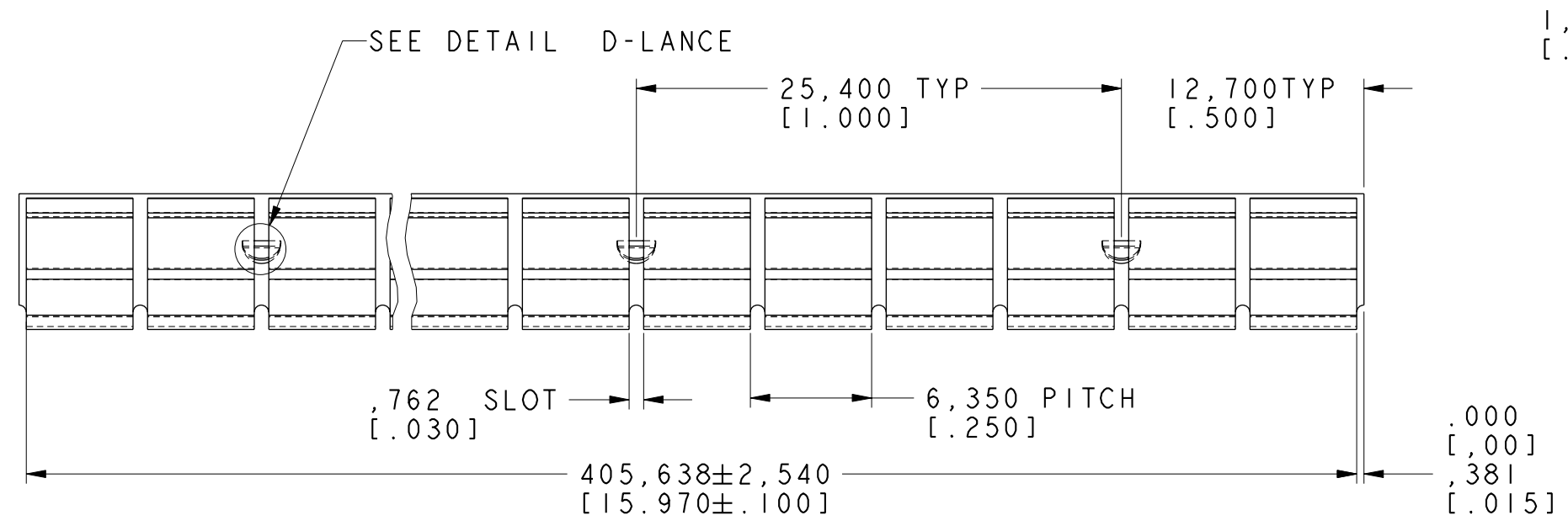
Tel: +86-755-8981 8866 Fax: +86-755-8427 6832

Email & Skype: info@chipsmall.com Web: www.chipsmall.com

Address: A1208, Overseas Decoration Building, #122 Zhenhua RD., Futian, Shenzhen, China



DWG. NO.	0097-0646
REVISIONS	
ECO-E2320 ADDED D-LANCE AND NOTE FAK 05/14/01	02
ECO-E3332 ADDED TABULATION TABLE FOR OD97 SDH 10/28/02 EWS 10/28/02	03
ECO-E4755 ADDED ±.100 TO OVERALL LENGTH SDH 11/08/04 DG 11/08/04	04



0097-0646	WITHOUT LANCES
OD97-0646	WITH LANCES
ITEM	DESCRIPTION
MATERIAL:	.152 [.006] thick BeCu ALLOY #25 1/2 HARD
HEAT TREAT:	TO DPH 383 MIN USING A 500 GRAM LOAD
THICKNESS AFTER:	CLEANING AND BEFORE PLATING .0057 MIN
FINISH:	AS REQUIRED
TOLERANCES NOT SHOWN	
DECIMAL 2 PL'S ± .50 [.02]	
DECIMAL 3 PL'S ± .254 [.010]	
ANGULAR ± 3°	
THIRD ANGLE PROJECTION	
UNITS:	MM [INCH]
SCALE:	1:1
Laird TECHNOLOGIES DELAWARE WATER GAP PENNSYLVANIA	
ULTRASOFT CLIP-ON MOUNTED GASKET	
REF. DWG NO.	97-646
DWG. NO.	0097-0646
REV	04
SHEET 1 OF 1	

THIS INFORMATION IS CONFIDENTIAL AND PROPRIETARY TO LAIRD TECHNOLOGIES.  
IT MAY NOT BE DISCLOSED TO ANYONE, OTHER THAN LAIRD TECHNOLOGIES  
PERSONNEL, WITHOUT WRITTEN AUTHORIZATION FROM LAIRD TECHNOLOGIES.

DWG. NO. 0097-0646

CAD MAINTAINED DRAWING. MANUAL CHANGES UNAUTHORIZED.