



Chipsmall Limited consists of a professional team with an average of over 10 year of expertise in the distribution of electronic components. Based in Hongkong, we have already established firm and mutual-benefit business relationships with customers from,Europe,America and south Asia,supplying obsolete and hard-to-find components to meet their specific needs.

With the principle of "Quality Parts,Customers Priority,Honest Operation,and Considerate Service",our business mainly focus on the distribution of electronic components. Line cards we deal with include Microchip,ALPS,ROHM,Xilinx,Pulse,ON,Everlight and Freescale. Main products comprise IC,Modules,Potentiometer,IC Socket,Relay,Connector.Our parts cover such applications as commercial,industrial, and automotives areas.

We are looking forward to setting up business relationship with you and hope to provide you with the best service and solution. Let us make a better world for our industry!



Contact us

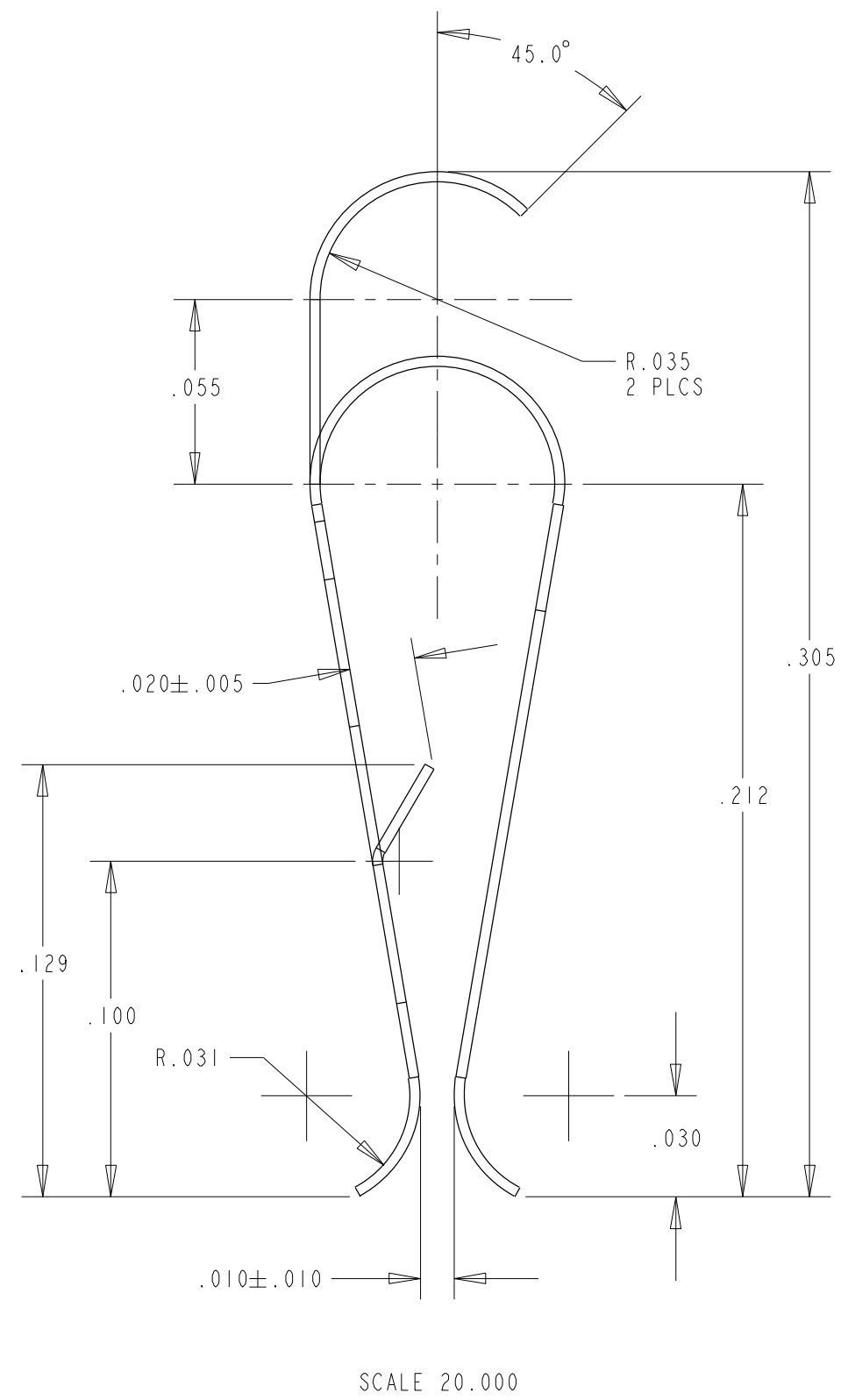
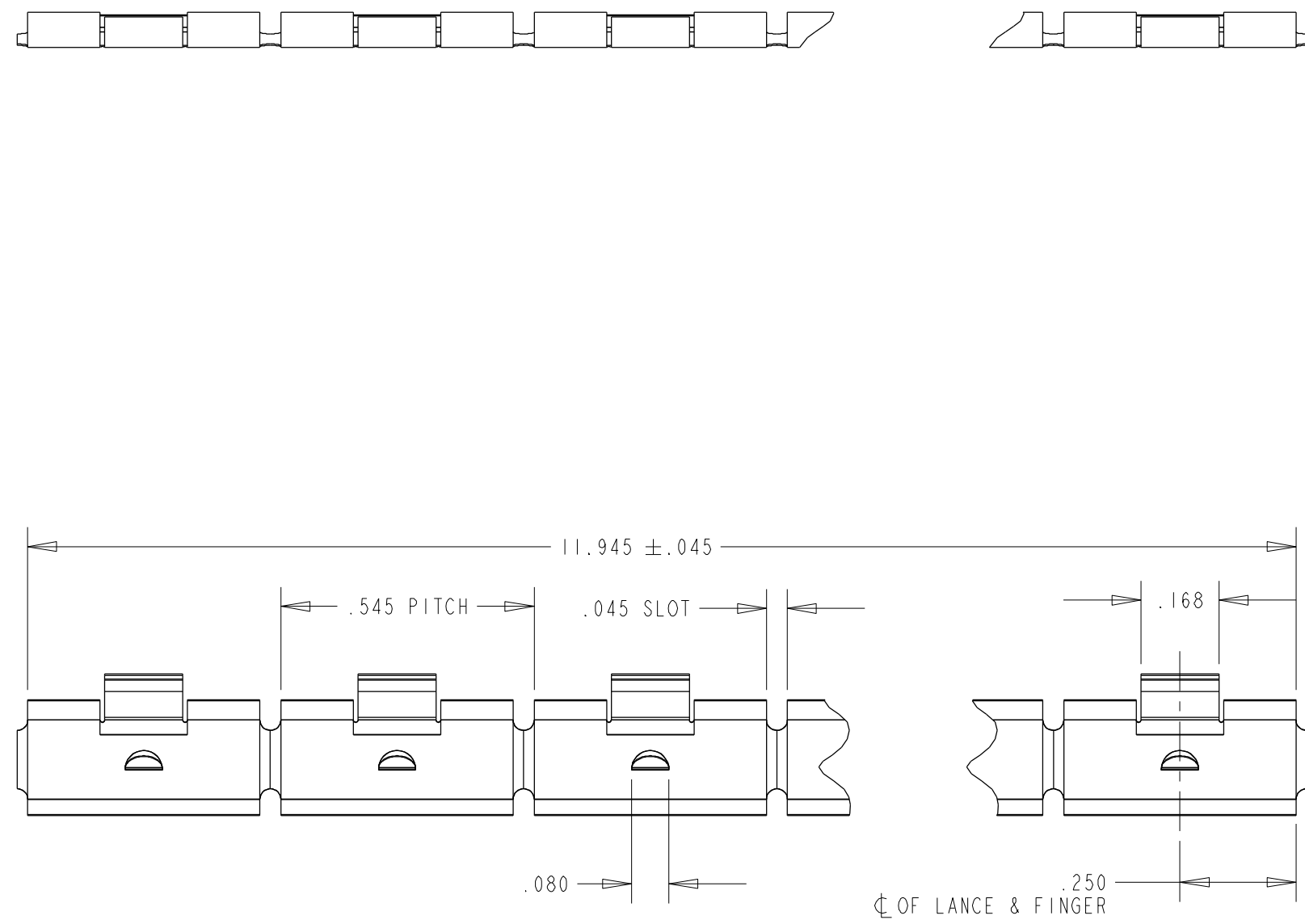
Tel: +86-755-8981 8866 Fax: +86-755-8427 6832

Email & Skype: info@chipsmall.com Web: www.chipsmall.com

Address: A1208, Overseas Decoration Building, #122 Zhenhua RD., Futian, Shenzhen, China



DWG NO: 0097-0655	
REVISIONS	
WAS PHOTO ETCH PROCESS .700 MAT'L WIDTH WAS 8.0 9.45 WAS 8.02 ECN #8310 BMG 7-16-93 EWS 7-19-93	02
ECO-E4370 ADDED 2 PLCS TO R.035 DIMENSION. RKM 03/12/04 EWS 03/15/04	03
ECO-E4973 ADDED ±.045 TOL TO LENGTH RKM 03/31/05 EWS 03/31/05	04



MAT'L CODE: C172002054

MATERIAL: .0035 ± .00015 X .700 ± .003 BE CU ALLOY 25 1/4 HARD ENDURANCE GRADE	TOLERANCES NOT SHOWN DECIMAL 2 PL'S ± .015 DECIMAL 3 PL'S ± .010	<p>DELAWARE WATER GAP PENNSYLVANIA</p>	DRAWN BY: TWG	DATE: 4/6/93
HEAT TREAT: TO DPH 373 MIN USING A 500 GRAM LOAD	ANGULAR ± 3°		CHECKED: EWS	DATE: 4/13/93
THICKNESS AFTER CLEANING AND BEFORE PLATING .0025 ± .0002	THIRD ANGLE PROJECTION	PERPENDICULAR GROUNDING CONTACT		APPROVED: EWS
FINISH: AS REQ'D	UNITS: INCH [MM] SCALE: 3.000	REF. DWG. NO. X	DWG. NO. 0097-0655	DATE: 4/14/93
CAD MAINTAINED DRAWING. MANUAL CHANGES UNAUTHORIZED.		SHEET 1 OF 1		REV 04

THIS INFORMATION IS CONFIDENTIAL AND PROPRIETARY TO LAIRD TECHNOLOGIES. IT MAY NOT BE DISCLOSED TO ANYONE, OTHER THAN LAIRD TECHNOLOGIES PERSONNEL, WITHOUT WRITTEN AUTHORIZATION FROM LAIRD TECHNOLOGIES.

DWG NO: 0097-0655