



Chipsmall Limited consists of a professional team with an average of over 10 year of expertise in the distribution of electronic components. Based in Hongkong, we have already established firm and mutual-benefit business relationships with customers from,Europe,America and south Asia,supplying obsolete and hard-to-find components to meet their specific needs.

With the principle of "Quality Parts,Customers Priority,Honest Operation,and Considerate Service",our business mainly focus on the distribution of electronic components. Line cards we deal with include Microchip,ALPS,ROHM,Xilinx,Pulse,ON,Everlight and Freescale. Main products comprise IC,Modules,Potentiometer,IC Socket,Relay,Connector.Our parts cover such applications as commercial,industrial, and automotives areas.

We are looking forward to setting up business relationship with you and hope to provide you with the best service and solution. Let us make a better world for our industry!



Contact us

Tel: +86-755-8981 8866 Fax: +86-755-8427 6832

Email & Skype: info@chipsmall.com Web: www.chipsmall.com

Address: A1208, Overseas Decoration Building, #122 Zhenhua RD., Futian, Shenzhen, China

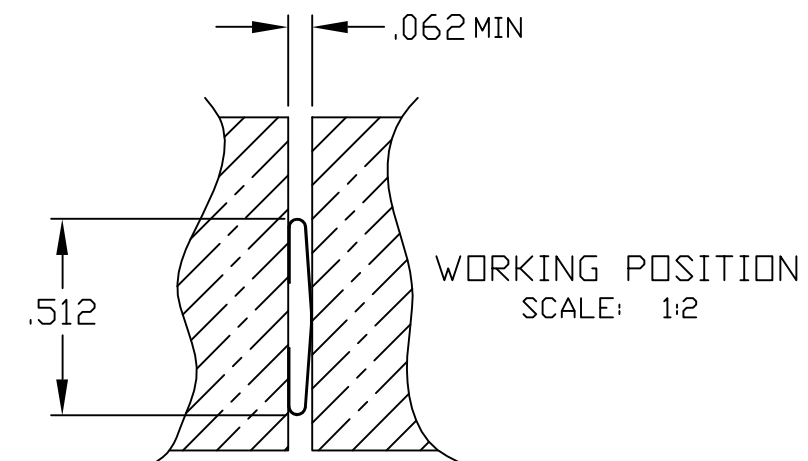
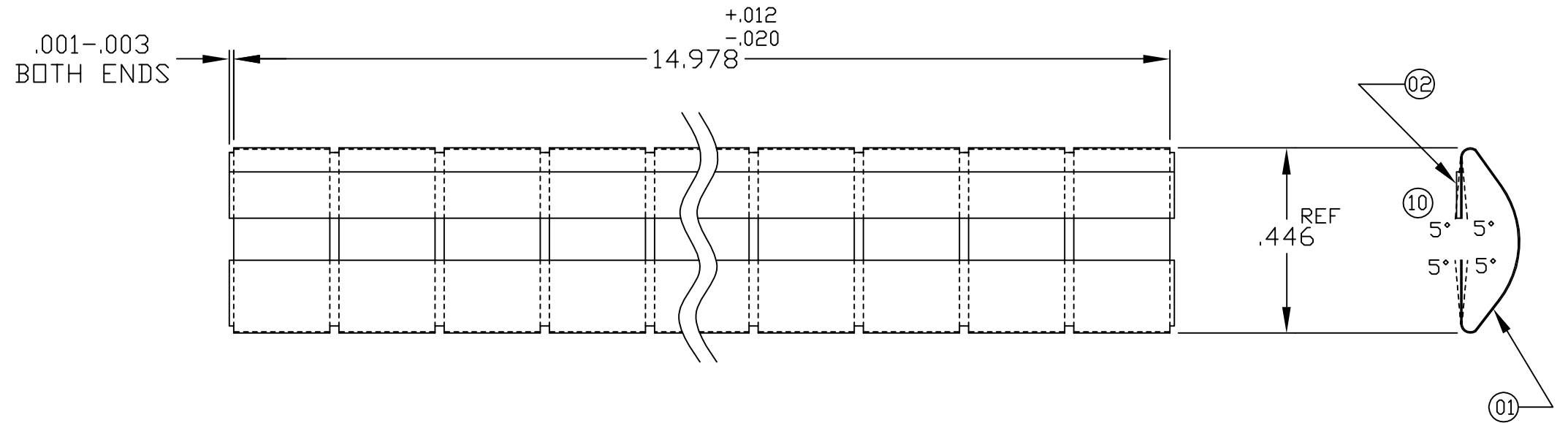



ITEM 01:

REFER TO 0097-0934 FOR ALL
DIMENSIONS NOT SHOWN.
NOTE: LESS NOTCHES

THIS INFORMATION IS CONFIDENTIAL AND PROPRIETARY TO LAIRD TECHNOLOGIES.
IT MAY NOT BE DISCLOSED TO ANYONE, OTHER THAN LAIRD TECHNOLOGIES
PERSONNEL, WITHOUT WRITTEN AUTHORIZATION FROM LAIRD TECHNOLOGIES.

DWG. NO.	0097-0954
REDRAWN & REVISED, OP'S REVISED, K.D. JNS 11-25-85	05
OP#1 WAS 97-931.1 NOTCH, PIERCE & CUT OFF-ADDED REFER NOTE & MFG. NOTES. .150 WAS 3/16 TA WHS 7-28-86	06
SEE DWG 0097-C-0931 REMOVED FROM ITEM 01 MAT'L. MFG. NOTES REMOVED. TA WHS 9-3-86	07
14.978 +.012 /-.020 WAS 15±.030 .000-.003 ADDED. PARTIAL FINGERS REMOVED. K.D. WHS 9-3-86	08
ECN 3668 ADD SIZE OP. RCC 5-26-89 ES 5-30-89	09
ECN 5185 ADD ANGULAR TOL. TO LEGS. RCC 4-11-90 EWS 4-11-90	10
ECN 5231 OP#1 WAS NOTCH, PIERCE & CUT-OFF. REMOVE (2) FORM OP'S. ADD 'Z' FORM. RCC 6-5-90 EWS 6-6-90	11
ECN 6174 DELETE SIZE OP. RCC 6-26-91 EWS 6-27-91	12
.110 WIDE TAPE WAS .150 WIDE. JCH 3/15/92 ES 3-17-92	13
ECN 8564 REMOVED OPS. BMG 11-5-93 EWS 11-8-93	14



ITEM	MATERIAL	MATERIAL:	SEE CHART	TOLERANCES NOT SHOWN		DRAWN BY:	DATE:
01	.003 X .902 BeCu REF.	HEAT TREATED:	TO DPH 383 MIN USING A 500 GRAM LOAD	DECIMAL 2 PL'S ± .010 DECIMAL 3 PL'S ± .010		KD	11/19/85
13 02	.110 WIDE PRESSURE SENSITIVE TAPE-SEE DWG. 0097-0446	THICKNESS AFTER:	CLEANING: .0026 MIN.	ANGULAR ± ---	DELAWARE WATER GAP PENNSYLVANIA	CHECKED BY:	DATE:
		FINISH:	AS REQUIRED	THIRD ANGLE PROJECTION		RKM	12/05/01
				UNITS: INCH [MM] SCALE: 3:1		APPROVED BY:	DATE:
						ES	12/05/01
						LAIRD STANDARD	
		DWG. NO.	0097-0954			REF. DWG NO. 0097-0934	
						DWG. NO.	SUB
						0097-0954	14
CAD MAINTAINED DRAWING. MANUAL CHANGES UNAUTHORIZED.							

B