



Chipsmall Limited consists of a professional team with an average of over 10 year of expertise in the distribution of electronic components. Based in Hongkong, we have already established firm and mutual-benefit business relationships with customers from,Europe,America and south Asia,supplying obsolete and hard-to-find components to meet their specific needs.

With the principle of “Quality Parts,Customers Priority,Honest Operation,and Considerate Service”,our business mainly focus on the distribution of electronic components. Line cards we deal with include Microchip,ALPS,ROHM,Xilinx,Pulse,ON,Everlight and Freescale. Main products comprise IC,Modules,Potentiometer,IC Socket,Relay,Connector.Our parts cover such applications as commercial,industrial, and automotives areas.

We are looking forward to setting up business relationship with you and hope to provide you with the best service and solution. Let us make a better world for our industry!



Contact us

Tel: +86-755-8981 8866 Fax: +86-755-8427 6832

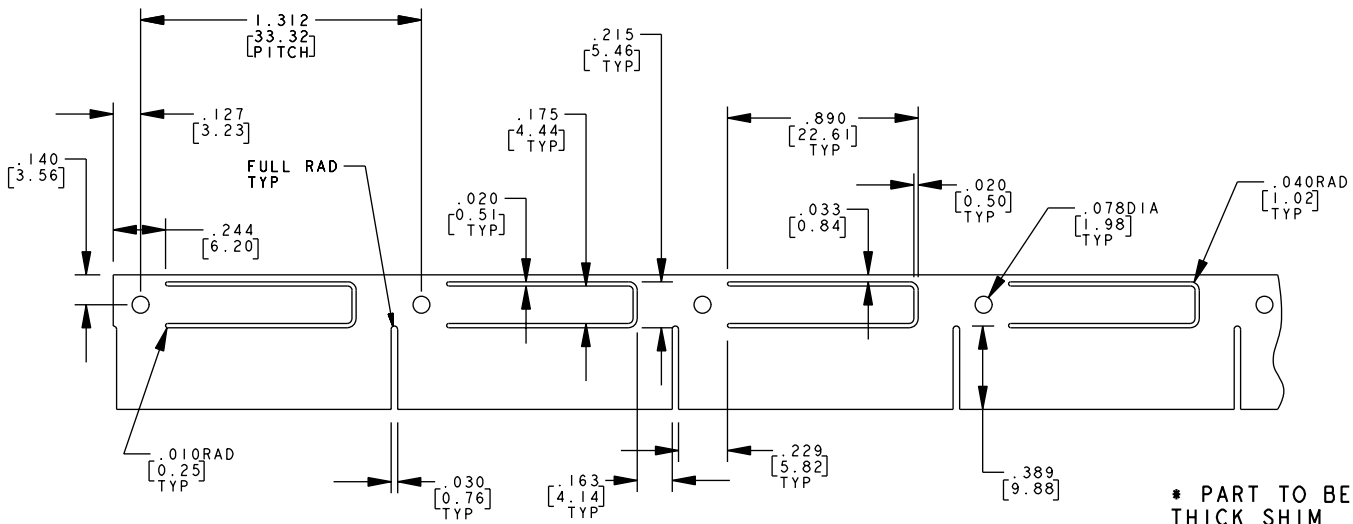
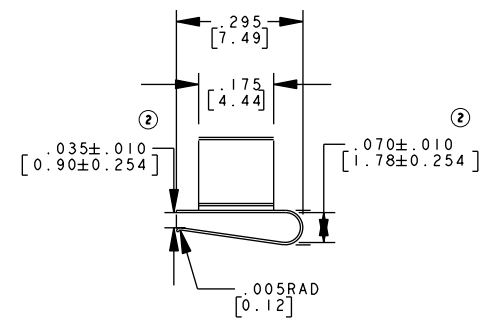
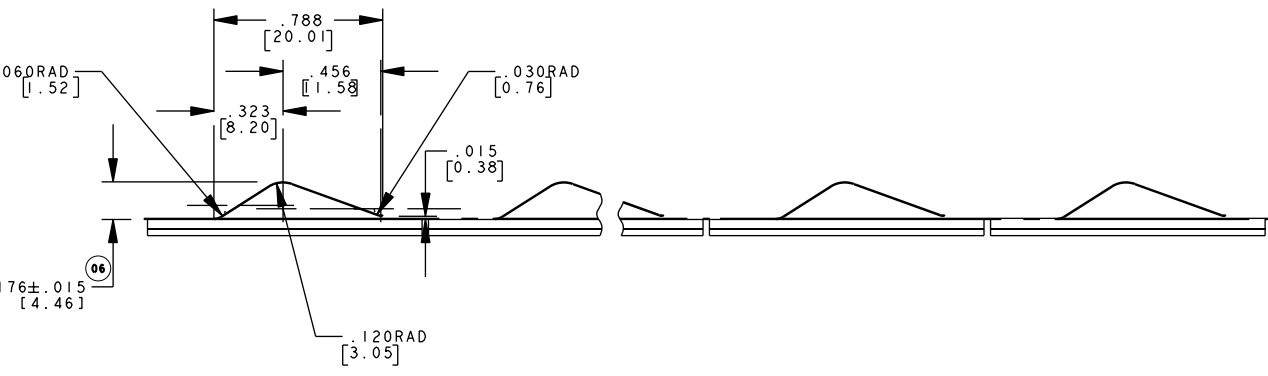
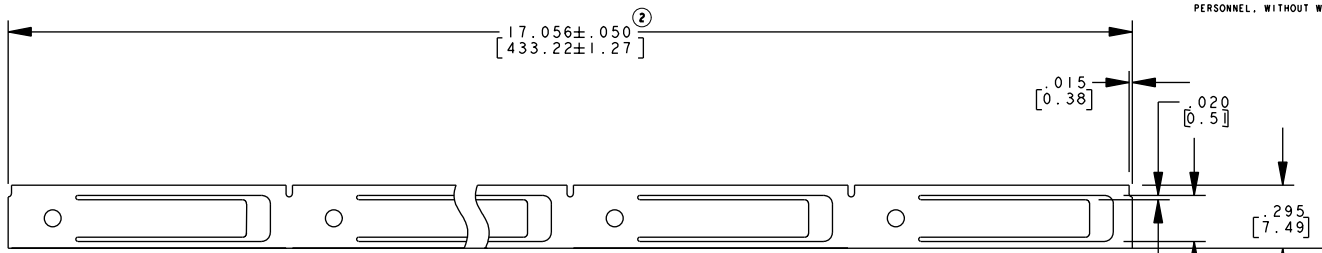
Email & Skype: info@chipsmall.com Web: www.chipsmall.com

Address: A1208, Overseas Decoration Building, #122 Zhenhua RD., Futian, Shenzhen, China



THIS INFORMATION IS CONFIDENTIAL AND PROPRIETARY TO LAIRD TECHNOLOGIES.
IT MAY NOT BE DISCLOSED TO ANYONE, OTHER THAN LAIRD TECHNOLOGIES
PERSONNEL, WITHOUT WRITTEN AUTHORIZATION FROM LAIRD TECHNOLOGIES.

DWG. NO.	0097-0976
ADDED TOLERANCES TO 17.056, .035, AND .070 DIMS.	
ADDED NOTE	
ECN 9453	
BMG 09/12/94	02
CORRECTED VIEWS	
ECN 9904	
BMG 03/07/95	03
EWS 03/07/95	
629 WAS 8.0	
ECO 1640	
JL 05/05/97	
RC 05/05/97	04
ADDED REF TO .176 DIM.	
ADDED NOTE TO .176	
NO LOWER THAN .154	
ECO 1723 EPO	
JL 05/23/97	
RC 05/23/97	05
ECO-E5915 ADDED ±.015 TOL.	
TO DIM .176.	
RKM 03/27/07	
EWS 03/28/07	06



PARTIAL FLAT BLANK
TOLERANCING ON PHOTO ETCHED
BLANK IS TO BE ±.002

* PART TO BE INSPECTED ON .062^②
THICK SHIM

MATERIAL: .0052 ± .0002 X .629 ± .003 BE CU ALLOY 25 1/2 HARD ENDURANCE GRADE	LBS/M 19.90	TOLERANCES NOT SHOWN DECIMAL 2 PL'S ± .015 DECIMAL 3 PL'S ± .005	DRAWN BY DATE BMG 01/07/94
HEAT TREAT: TO DPH 383 MIN. USING A 500 GRAM LOAD		FRACTIONAL ± ANGULAR ± 3°	CHECKED BY DATE RC 01/20/94
THICKNESS AFTER CLEANING AND BEFORE PLATING: .00485 MIN.		BEND RADIUS CORNER RADII MAXIMUM BURR	APPROVED BY DATE EWS 01/20/94
FINISH:	SO. FT. / M	LONGITUDINAL GROUNDING STRIP	REF. DWG. NO.
		DWG. NO.	SUB



C