



Chipsmall Limited consists of a professional team with an average of over 10 year of expertise in the distribution of electronic components. Based in Hongkong, we have already established firm and mutual-benefit business relationships with customers from,Europe,America and south Asia,supplying obsolete and hard-to-find components to meet their specific needs.

With the principle of “Quality Parts,Customers Priority,Honest Operation,and Considerate Service”,our business mainly focus on the distribution of electronic components. Line cards we deal with include Microchip,ALPS,ROHM,Xilinx,Pulse,ON,Everlight and Freescale. Main products comprise IC,Modules,Potentiometer,IC Socket,Relay,Connector.Our parts cover such applications as commercial,industrial, and automotives areas.

We are looking forward to setting up business relationship with you and hope to provide you with the best service and solution. Let us make a better world for our industry!



## Contact us

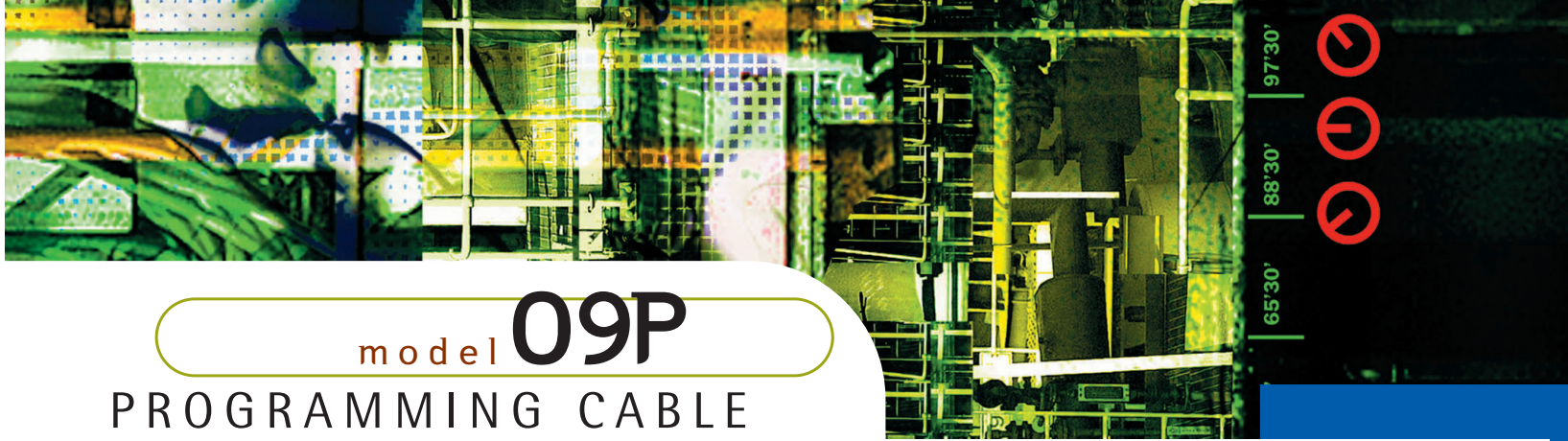
Tel: +86-755-8981 8866 Fax: +86-755-8427 6832

Email & Skype: info@chipsmall.com Web: www.chipsmall.com

Address: A1208, Overseas Decoration Building, #122 Zhenhua RD., Futian, Shenzhen, China







model **09P**  
PROGRAMMING CABLE

technical datasheet



> features <

- Industry standard micro-plug
- Gold-plated contacts provide high durability
- Durable flexible cables
- High quality strain relief, tested to 10,000 bends
- Optional color dot marking
- Choice of connector styles and colors

> specifications <

**Mechanical Data**

- Insertion Force (socket/plug):
- 3 terminals . . . . . >2.5 N (0.5 lb.)
  - 4 terminals . . . . . >3.0 N (0.6 lb.)
  - 5 terminals . . . . . >4.0 N (0.9 lb.)
- Extraction Force (socket/plug):
- 3 terminals . . . . . <5.5 N (1.2 lb.)
  - 4 terminals . . . . . <8.0 N (1.8 lb.)
  - 5 terminals . . . . . <8.0 N (1.9 lb.)
- Bending of Cable . . . . . 10,000 times (1,4ø mm cable)

**Electrical Data**

- Plug
- Cable resistance . . . . . <2 Ω/m (0.6 Ω/ft.)
  - Cable capacitance . . . . . <100 pF/m (30.4 pF/ft.)
  - Operating current . . . . . 500 mA max. (continuous)
  - Insulation resistance . . . . . >1 MΩ

**Socket and Plug**

- Contact resistance . . . . . <150 mΩ
- Contact resistance stability . . . . . <150 mΩ (pulling with 100 g (0.22 lb.) in all directions)

**Environmental Data**

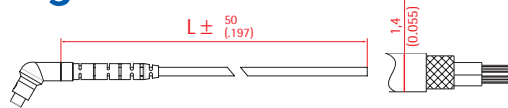
- Storage temperature range . . . . . -40°C to +60°C (-40°F to +140°F)
- Operational temp. range . . . . . -10°C to +55°C (14°F to +131°F)
- Humidity Conditions . . . . . 10% to 95% rh.

**Construction**

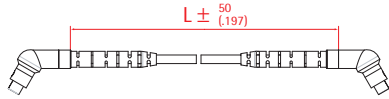
- Connector . . . . . Polyamide 6.6
  - Contact Tube . . . . . Gold-plated copper alloy
  - Cable . . . . . ø1,4 mm (ø0.055 in.)
- Specifications subject to change.

## II connector configuration

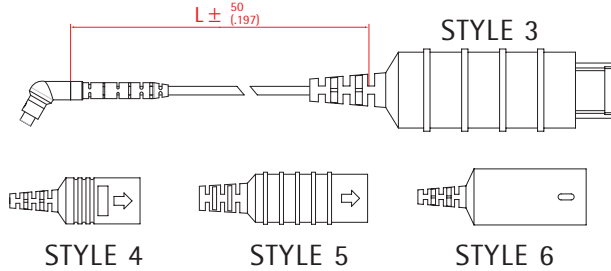
STYLE 1  
(PLUG WITH OPEN END)



STYLE 2  
(PLUG TO PLUG)



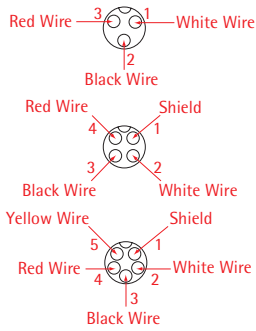
STYLE 3,  
4, 5 AND 6  
(PLUG TO  
MINI-DIN)



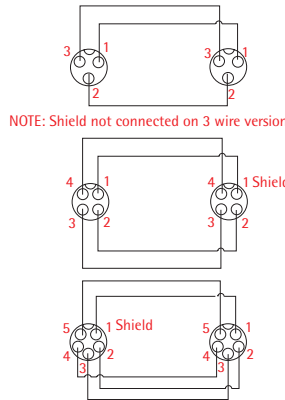
### CONNECTOR CONFIGURATION

- [ 1 ] 09 PLUG AT ONE END
- [ 2 ] 09 PLUG AT BOTH ENDS
- [ 3 ] 09 PLUG WITH LONG, RIBBED MINI-DIN CONNECTOR
- [ 4 ] 09 PLUG WITH SHORT, RIBBED MINI-DIN CONNECTOR
- [ 5 ] 09 PLUG WITH LONG, RIBBED 8 PIN MINI-DIN CONNECTOR (Y-STYLE CABLE)
- [ 6 ] 09 PLUG WITH LONG, SMOOTH MINI-DIN CONNECTOR

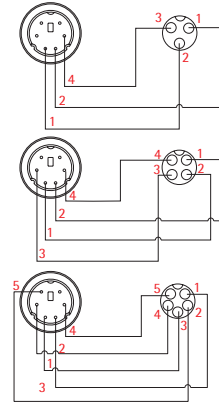
## III electrical configurations



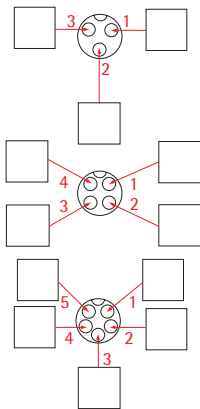
STANDARD WIRING FOR  
CONNECTOR CONFIGURATION 1



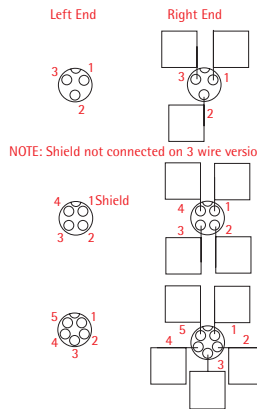
STANDARD WIRING FOR  
CONNECTOR CONFIGURATION 2



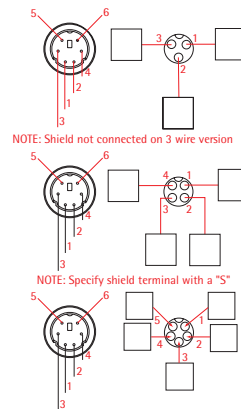
STANDARD WIRING FOR  
CONNECTOR CONFIGURATION 3, 4 AND 6



CUSTOM WIRING FOR  
CONNECTOR CONFIGURATION 1



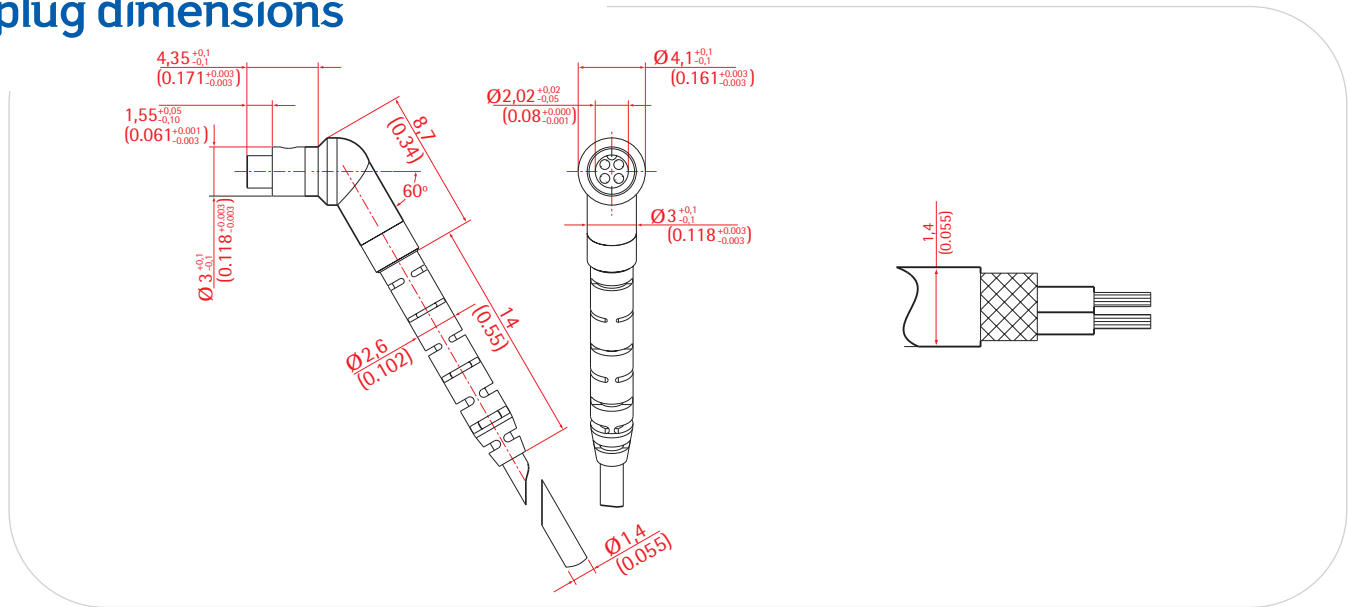
CUSTOM WIRING FOR  
CONNECTOR CONFIGURATION 2



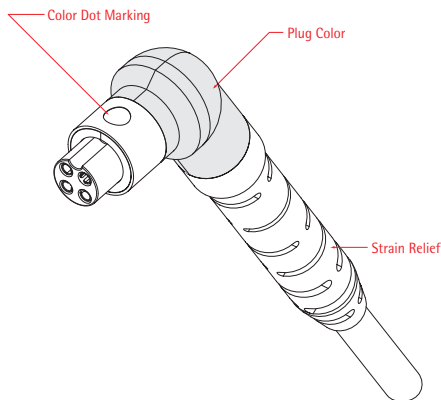
CUSTOM WIRING FOR  
CONNECTOR CONFIGURATION 3, 4 AND 6

Style 5 requires special configuration, please consult with your sales representative for more information.

## plug dimensions



## IVIV plug color/color dot markings on plug(s)



### PLUG COLOR

- [ 25 ] STANDARD COLOR: BLACK
- [ 36 ] RED
- [ 13 ] BLUE
- [ X X ] SPECIAL

### COLOR DOT MARKINGS ON PLUG(S)

- [ 07 ] RED
- [ 02 ] BLUE
- [ X X ] SPECIAL

## VI cable length

Refer to "connector configuration" in Section II.

### CABLE LENGTH (L)

- [ 01 ] 10 cm (4 in.)
- [ 02 ] 20 cm (8 in.)
- [ 03 ] 30 cm (12 in.)
- [ 04 ] 40 cm (16 in.)
- [ 05 ] 50 cm (20 in.)
- [ 10 ] 100 cm (40 in.)
- [ 15 ] 150 cm (60 in.)
- [ 20 ] 200 cm (80 in.)
- [ 25 ] 250 cm (100 in.)

Note: Custom cable length available upon request, subject to minimum order requirements, pricing varies with length. Contact your sales representative for details.

## VIII mini-DIN color

- [ 1 ] BLACK
- [ 2 ] GRAY
- [ 3 ] BLUE
- [ 4 ] RED

## > ordering <

How to order— Using the chart below, determine your order number by finding the correct sequence of code numbers and/or letters as shown at right. Details on each parameter can be found within the brochure in the section with the corresponding roman numeral.

	model	I	number of contacts	II	connector configuration	III	electrical configuration	IV	plug color	V	color dot marking on plug(s)	VI	cable length	VII	cable color	VIII	mini-DIN color	IX	special
09P	X	X	XX	XX	XX	XX	XX	X	X	XX									

PARAMETER	YOUR CHOICE	GUIDELINES/NOTES
<b>I</b> number of contacts		3, 4 or 5
<b>II</b> connector configuration		
<b>III</b> electrical configuration		[00] Standard [XX] Custom Configuration
<b>IV</b> plug color		
<b>V</b> color dot marking on plug(s)		
<b>VI</b> cable length		
<b>VII</b> cable color		[ 1] Black [ 2] Gray
<b>VIII</b> mini-DIN color		
<b>IX</b> special		[ S] Standard [XX] Special