



Chipsmall Limited consists of a professional team with an average of over 10 year of expertise in the distribution of electronic components. Based in Hongkong, we have already established firm and mutual-benefit business relationships with customers from,Europe,America and south Asia,supplying obsolete and hard-to-find components to meet their specific needs.

With the principle of “Quality Parts,Customers Priority,Honest Operation,and Considerate Service”,our business mainly focus on the distribution of electronic components. Line cards we deal with include Microchip,ALPS,ROHM,Xilinx,Pulse,ON,Everlight and Freescale. Main products comprise IC,Modules,Potentiometer,IC Socket,Relay,Connector.Our parts cover such applications as commercial,industrial, and automotives areas.

We are looking forward to setting up business relationship with you and hope to provide you with the best service and solution. Let us make a better world for our industry!



Contact us

Tel: +86-755-8981 8866 Fax: +86-755-8427 6832

Email & Skype: info@chipsmall.com Web: www.chipsmall.com

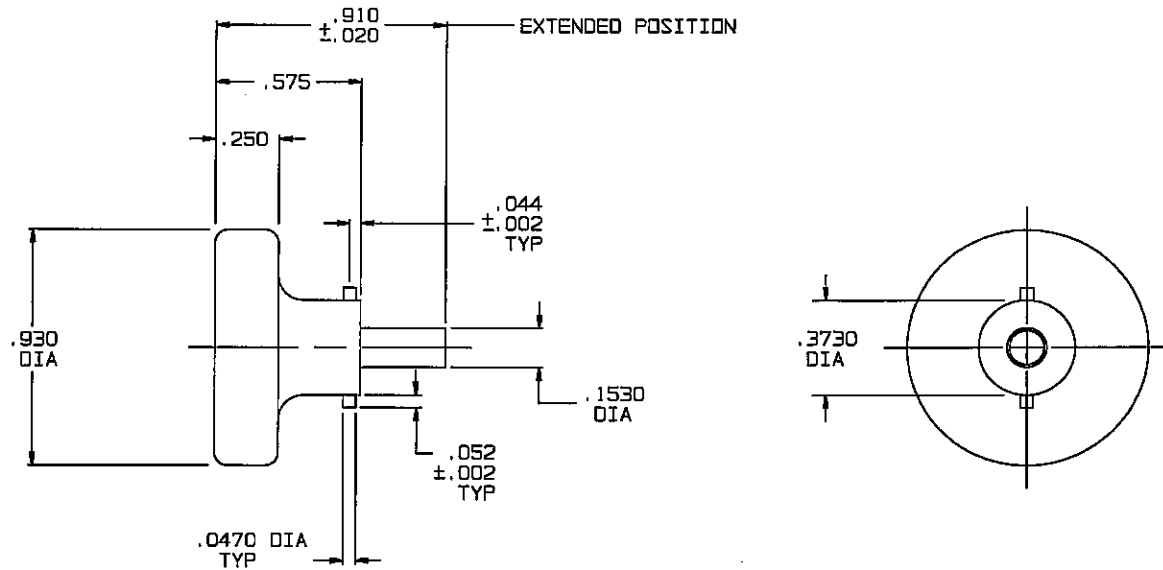
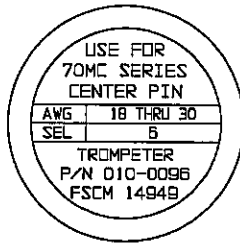
Address: A1208, Overseas Decoration Building, #122 Zhenhua RD., Futian, Shenzhen, China



RED INDICATES ORIGINAL

DATA CONTAINED IN THIS DOCUMENT IS PROPRIETARY TO TROMPETER ELECTRONICS, INC. AND SHALL NOT BE DISCLOSED, COPIED OR USED FOR PROCUREMENT OR MANUFACTURE WITHOUT EXPRESS WRITTEN PERMISSION.

REVISIONS			010-0096		SH 1
REV	EO	DESCRIPTION	DWN	APPROVED	DATE
B	12137	DIM .0470 DIA TYP WAS .0530 DIA TYP; SEE ECO	DBN	<i>Bm, Jcl</i>	8/7/97



2. FINISH: BODY; TFS-1A (NICKEL)
LOCK PINS AND LOCATOR; PASSIVATE

1. ALL DIMENSIONS ARE IN INCHES

QTY	DESCRIPTION		PART NUMBER	ITEM
TOL UNLESS SPECIFIED		TROMPETER ELECTRONICS, INC.	POSITIONER, CONTACTS, 70MC SERIES (M22520/2-01)	
.XX ± .XXX ±.010 .XXXX ±.0020 ANGLE±				
DWN	DBN	8/1/97	MATERIAL	CODE IDENT
CHK	<i>Bm</i>	8-7-97	14949	DRAWING NO.
ENGR				010-0096
APPR	<i>FR</i>	8/7/97	SCALE 2/1	DATE 12-21-93
NEXT ASSY				SHEET 1 OF 3