



Chipsmall Limited consists of a professional team with an average of over 10 year of expertise in the distribution of electronic components. Based in Hongkong, we have already established firm and mutual-benefit business relationships with customers from,Europe,America and south Asia,supplying obsolete and hard-to-find components to meet their specific needs.

With the principle of “Quality Parts,Customers Priority,Honest Operation,and Considerate Service”,our business mainly focus on the distribution of electronic components. Line cards we deal with include Microchip,ALPS,ROHM,Xilinx,Pulse,ON,Everlight and Freescale. Main products comprise IC,Modules,Potentiometer,IC Socket,Relay,Connector.Our parts cover such applications as commercial,industrial, and automotives areas.

We are looking forward to setting up business relationship with you and hope to provide you with the best service and solution. Let us make a better world for our industry!



## Contact us

Tel: +86-755-8981 8866 Fax: +86-755-8427 6832

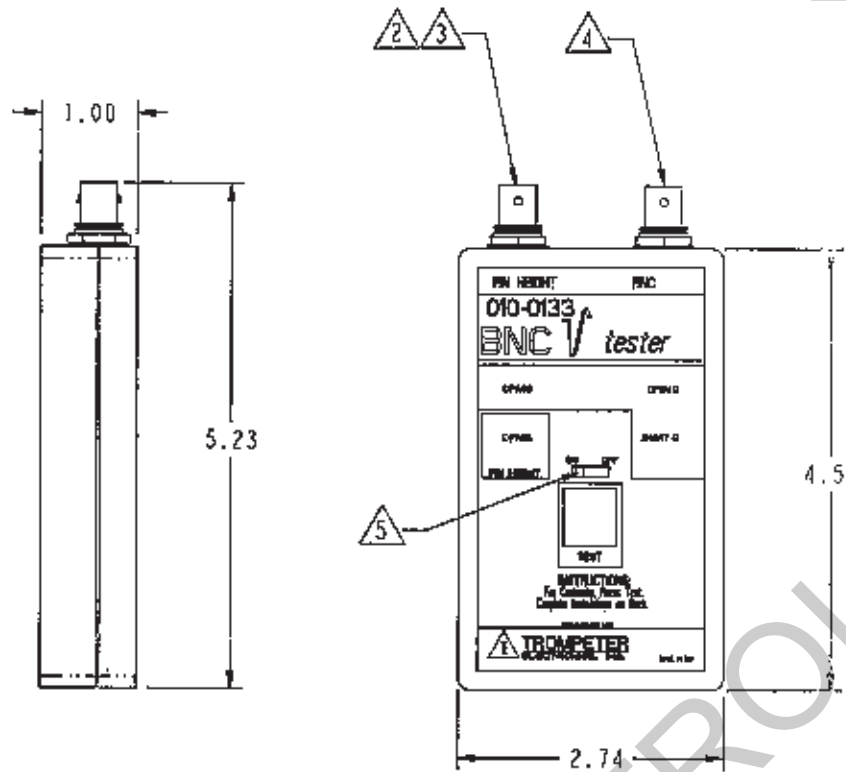
Email & Skype: info@chipsmall.com Web: www.chipsmall.com

Address: A1208, Overseas Decoration Building, #122 Zhenhua RD., Futian, Shenzhen, China

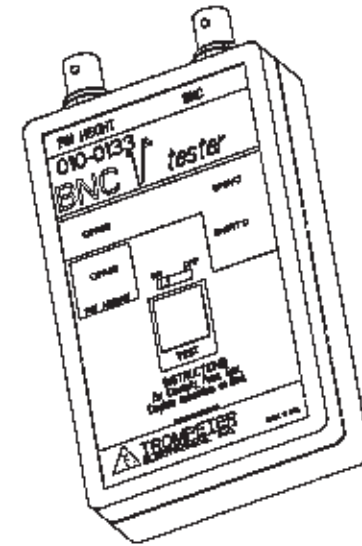


DATA CONTAINED IN THIS DOCUMENT IS PROPRIETARY TO TROMPETER ELECTRONICS INC. AND SHALL NOT BE DISCLOSED, COPIED OR USED FOR PROCUREMENT OR MANUFACTURE WITHOUT EXPRESS WRITTEN PERMISSION.

REVISIONS			DATE	APPROVED
REV	DESCRIPTIONS			
F	REVISED PER ECO 15600		8-19-04	WJ



RED INDICATES ORIGINAL



- 5 TO PRESERVE BATTERY, SWITCH TO OFF POSITION WHEN NOT IN USE
  - 4 USE 105-1885 ADAPTER FOR TESTING MINI-WECO CONNECTOR
  - 3 USE 010-0133-101 GO/NO-GO GAGE TO ASSURE PROPER CALIBRATION OF PIN HEIGHT TESTER
  - 2 PIN HEIGHT TO INDICATE "PASS" WHEN CONTACT IS .034 (MIN) SET BACK BEHIND SPRING FINGER; "FAIL" WHEN CONTACT IS .039 (MAX) SET BACK BEHIND SPRING FINGER
1. TESTER FOR PROPER ASSEMBLY OF BNC COAXIAL PLUGS, WITH CAPABILITY OF DETECTING CENTER CONTACT PIN HEIGHT, CONTINUITY, AND SHORT OR OPEN CIRCUIT

NOTES: UNLESS OTHERWISE SPECIFIED.

1X: EXPREY DRAWING PER M21-STD-100. DIMENSIONS ARE IN INCHES AND INCLUDE FINISH TOLERANCES UNLESS OTHERWISE SPECIFIED.		SOL: UNLESS SPECIFIED, .XX ± .06	
TRD TK 8-5-04	MATERIAL:	TITLE:	
CHG ADD 8-6-04	FINISH:	BNC TESTER (ELECTRICAL)	
QUANTITY CPS 8-19-04	SIZE A 14949	CAGE CODE 14949	DRAWING NO. 010-0133
PREP SP 8-18-04	SCALE 1/1	REV. F	SHEET 1 OF 3
APPROVED WJ 8/16/04	DATE 12-17-97	PHOTO DATE USE 910-D133	
NEXT ASSY	DO NOT SCALE DWG	DATE 12-17-97	

**TROMPETER**  
RF connectivity  
a cinch connectivity solutions brand