



Chipsmall Limited consists of a professional team with an average of over 10 year of expertise in the distribution of electronic components. Based in Hongkong, we have already established firm and mutual-benefit business relationships with customers from,Europe,America and south Asia,supplying obsolete and hard-to-find components to meet their specific needs.

With the principle of “Quality Parts,Customers Priority,Honest Operation,and Considerate Service”,our business mainly focus on the distribution of electronic components. Line cards we deal with include Microchip,ALPS,ROHM,Xilinx,Pulse,ON,Everlight and Freescale. Main products comprise IC,Modules,Potentiometer,IC Socket,Relay,Connector.Our parts cover such applications as commercial,industrial, and automotives areas.

We are looking forward to setting up business relationship with you and hope to provide you with the best service and solution. Let us make a better world for our industry!



Contact us

Tel: +86-755-8981 8866 Fax: +86-755-8427 6832

Email & Skype: info@chipsmall.com Web: www.chipsmall.com

Address: A1208, Overseas Decoration Building, #122 Zhenhua RD., Futian, Shenzhen, China



Other conductor connectors

Shield connection terminals KLBÜ

Overview

F.2 - F.3

For 10 x 3 mm busbars

Clamping yoke F.4 - F.5
Busbarholders F.6 - F.7

Mounting directly on metal plate

Clamping yoke F.8
Busbar holder, Spacer F.9

Mounting on TS 35

FM 4-foot / Clamping yoke holder F.10

For C-profiles

Clamping yoke F.11

Multipin terminal strips

For direct mounting

Screw connection F.12 - F.15
Screw connection, ATEX approval F.16 - F.17

Components for installation

Overview

F.18

Junction box terminals

F.19

Lamp terminals

F.20

Euro terminals

F.21

Busbars / mounting rails

Busbar systems

Busbars, Busbar holders F.22 - F.23
Tension clip, uninsulated / insulated F.24 - F.25

Mounting rail system

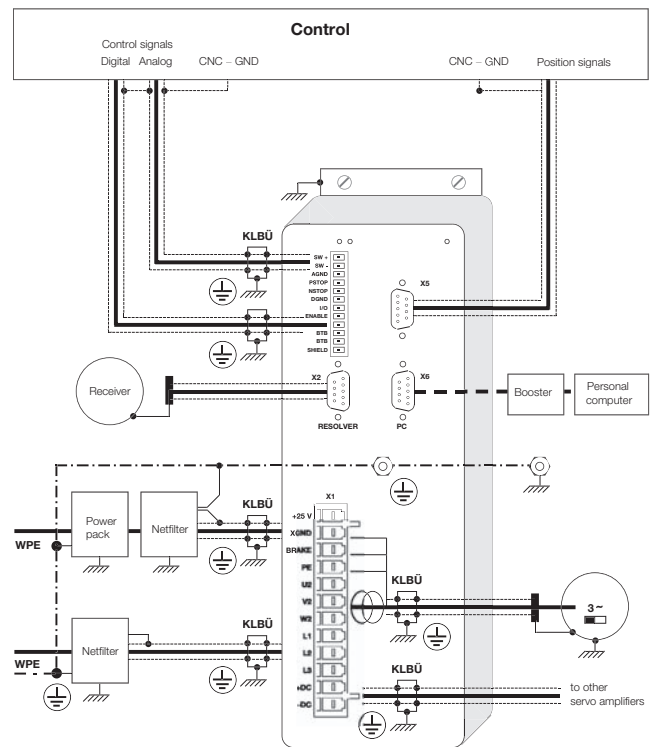
Overview F.26 - F.27
Mounting rails TS15, TS 32, TS 35 F.28 - F.29
End holders F.30
Mounting rail supports, Mounting feet F.31
RailMate, mounting rail systems F.32 - F.34

The theoretical concept

Part 1 of the VDE 0133 standard specifies the required equipotential bonding for the electrical components of a machine. The aim is to prevent any undesirable consequences occurring as a result of electrostatic, electromagnetic and mains faults.

The following measures serve this purpose:

- Using filters and delay devices.
- Dividing reference potential into “dirty” and “clean”.
- Neutral earthing of all reference potential with large cross-section (> 6 mm²).
- Keeping all bonding leads as short as possible.
- Routing all connections parallel to the bonding surface.
- Using screened lines and, if possible, earthing the shield at both ends.
- Isolating and screening switchgear and components susceptible to interference.



F

Overview of the available KLBÜs

For busbars
10 x 3

For direct mounting

For C-profiles

For TS 35
insulating/conducting

Clip-on for
10 x 3 busbar



In detail

Compression spring

To ensure both simple handling and proper connection, with permanent contact pressure as a result of the spring effect

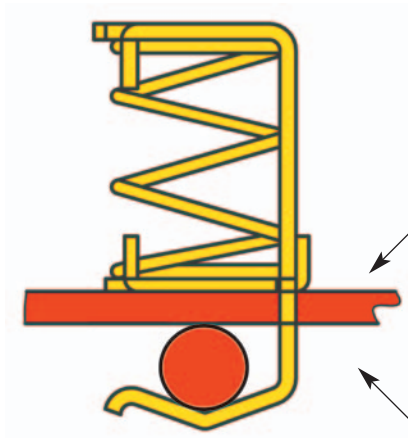


No extra tools necessary

Simply **swivel onto the busbar by hand** – retrospectively if necessary

Full range

For conductors from 2 to 37 mm diameter



Reliable contact

Changes in diameter (flow) of the conductor compensated for by the elastic behaviour of the clamping yoke for flexible adjustment to the cable diameter

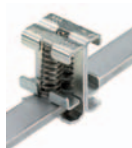
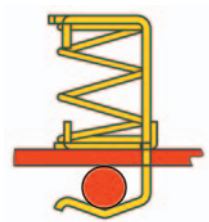
Many options available

Weidmüller offers a wide range of different fastenings for mounting shield connection terminals

For 10 x 3 mm busbars

Clamping yoke

Cable fastened against the busbar from below



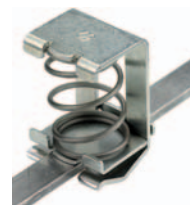
KLBÜ 2x2-6



KLBÜ 3-8



KLBÜ 4-13.5



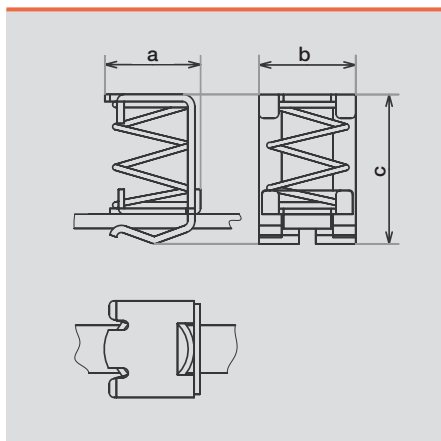
KLBÜ 10-20



KLBÜ 15 - 32

F

KLBÜ



Order data

Type	for cable diameter	Dimensions (a x b x c) mm	Qty	Order no.
KLBÜ 2 x 2-6	2.0 ... 6.0 mm	15.0 x 18.0 x 24.0	10	1675350000
KLBÜ 3-8	3.0 ... 8.0 mm	13.0 x 18.0 x 26.0	10	1600480000
KLBÜ 4 x 13.5	4.0 ... 13.5 mm	20.0 x 20.5 x 31.5	10	1592810000
KLBÜ 10-20	10.0 ... 20.0 mm	25.0 x 26.0 x 40.0	10	1600490000
KLBÜ 15-32	15.0 ... 32.0 mm	36.0 x 32.0 x 63.9	10	1716300000

10 x 3 mm busbars	Length	Material	Qty	Order no.
SSch 10x3x1000 Cu, Sn, Pb	1000.0 mm	Cu, Sn, Pb	1	0348900000
SSch 10x3x1000 Fe, Zn, 8B	1000.0 mm	Fe, Zn, 8B	1	1746130000

Marking on the product: 

Marking EN 50019:  EEx e II

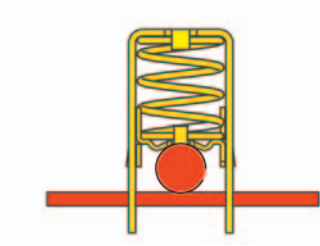
Marking EX-RL 94/9/EC: II 2 G D

EC type testing certificate: DMT 02 ATEX E 024 U

For 10 x 3 mm busbars

Clamping yoke

Cable fastened onto the busbar from above



KLBÜ CO 1



KLBÜ CO 2



KLBÜ CO 3

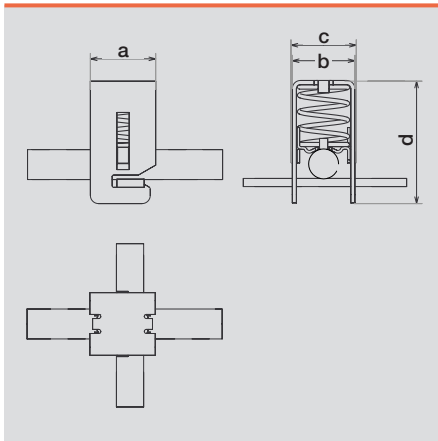


KLBÜ CO 4



KLBÜ CO 5


KLBÜ CO




Order data

Type	for cable diameter	Dimensions (a x b x c x d) mm	Qty	Order no.
KLBÜ CO 1	3.0 ... 10.0 mm	18.0 x 12.0 x 13.2 x 32.0	10	1753311001
KLBÜ CO 2	4.0 ... 15.0 mm	18.0 x 20.0 x 21.1 x 41.6	10	1752131001
KLBÜ CO 3	10.0 ... 20.0 mm	25.0 x 23.0 x 24.0 x 45.0	10	1749151001
KLBÜ CO 4	15.0 ... 28.0 mm	25.0 x 31.0 x 32.0 x 56.0	10	1749161001
KLBÜ CO 5	20.0 ... 37.0 mm	32.0 x 40.0 x 42.7 x 64.5	10	1755081001

10 x 3 mm busbars	Length	Material	Qty	Order no.
SSch 10x3x1000 Cu, Sn, Pb	1000.0 mm	Cu, Sn, Pb	1	0348900000
SSch 10x3x1000 Fe, Zn, 8B	1000.0 mm	Fe, Zn, 8B	1	1746130000

Marking on the product: 

Marking EN 50019:  EEx e II

Marking EX-RL 94/9/EC: II 2 G D

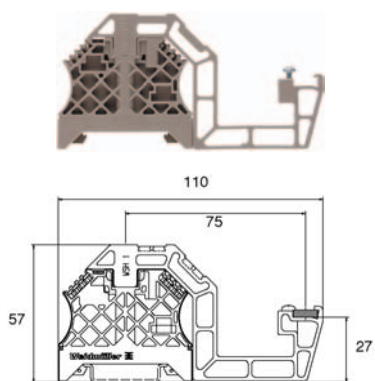
EC type testing certificate: DMT 02 ATEX E 024 U

For 10 x 3 mm busbars

Busbar holders

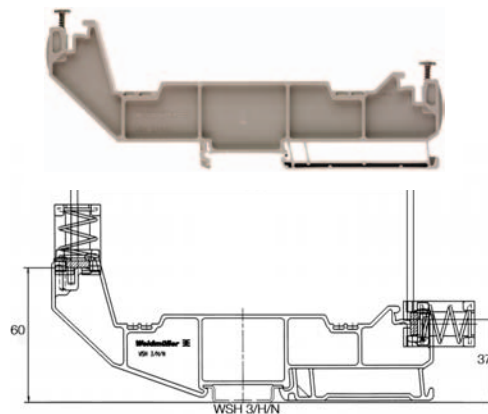
Insulated mounting on TS 35

Type WSH 1



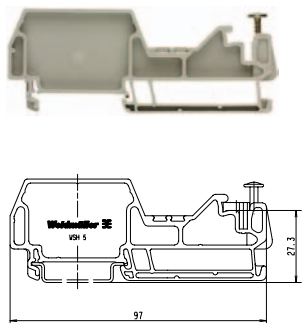
Horizontal mounting only

Type WSH 3/H/N

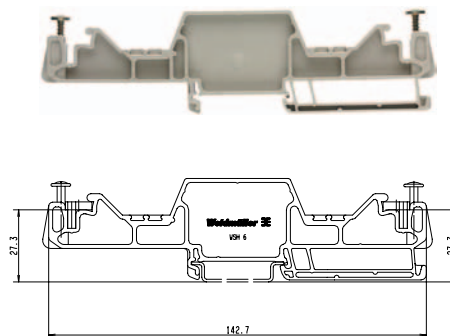


F

Type WSH 5



Typ WSH 6



WSH

Order data

Type	Width	Qty	Order no.
WSH 1	8.0 mm	10	1068700000
WSH 3/H/N	8.0 mm	10	1715970000
WSH 5	8.0 mm	10	1080100000
WSH 6	8.0 mm	10	1080200000

EC type testing certificate: DMT 02 ATEX E 024 U

10 x 3 mm busbars	Length	Material	Qty	Order no.
SSch 10x3x1000 Cu, Sn, Pb	1000.0 mm	Cu, Sn, Pb	1	0348900000

For 10 x 3 mm busbars

Busbar holders

Conductive mounting on TS 35



TS 35 Clip
BS 35/WSH 2



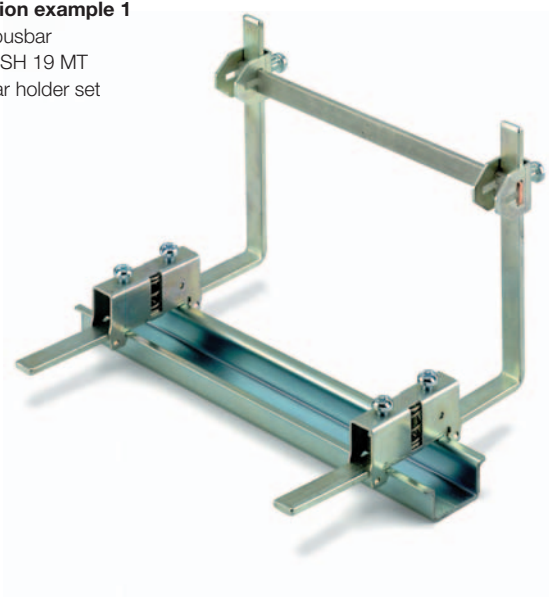
Busbar connector
BFEH 1/WSH



Angled rail
SMSE WSH U1MT

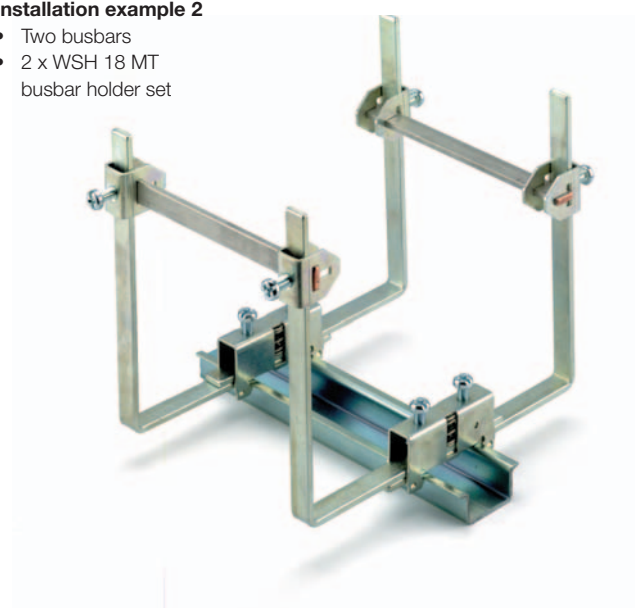
Installation example 1

- One busbar
- 2 x WSH 19 MT busbar holder set



Installation example 2

- Two busbars
- 2 x WSH 18 MT busbar holder set



WSH

EC type testing certificate: DMT 02 ATEX E 024 U

Order data

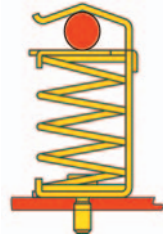
TS 35 clip		Dimensions (l x w x h) mm	Qty	Order no.	
BS 35/WSH 2		52.0 x 37.0 x 13.0	10	1760720000	
Busbar connector		Dimensions (l x w x h) mm	Qty	Order no.	
BFEH 1/WSH		20.0 x 31.0 x 13.5	10	1082400000	
Angle rail		Dimensions (l x w x h) mm	Qty	Order no.	
SMSE WSH U1MT		134.0 x 13.0 x 134.0	10	1083900000	
Busbar holder sets		Contents (parts loose in plastic bag)			
	BS 35/WSH 2	BFEH 1/WSH	SMSE WSH U1MT	Qty	Order no.
WSH 18 MT	1 ea.	2 ea.	2 ea.	10	1083100000
WSH 19 MT	1 ea.	1 ea.	1 ea.	10	1083200000
WSH 20 MT	1 ea.	1 ea.	1 ea. (straight)	10	1752950000
10 x 3 mm busbars		Length	Material	Qty	Order no.
SSch 10x3x1000 Cu, Sn, Pb		1000.0 mm	Cu, Sn, Pb	1	0348900000
SSch 10x3x1000 Fe, Zn, 8B		1000.0 mm	Fe, Zn, 8B	1	1746130000

F

Articles with coloured order number are kept permanently in stock at the central warehouse in Germany. Delivery times see page X.2

Mounting directly on metal plate

Clamping yoke



KLBÜ 3 - 8 SC



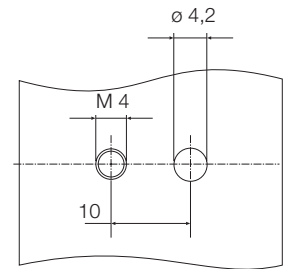
KLBÜ 4 - 13,5 SC



KLBÜ 10 - 20 SC



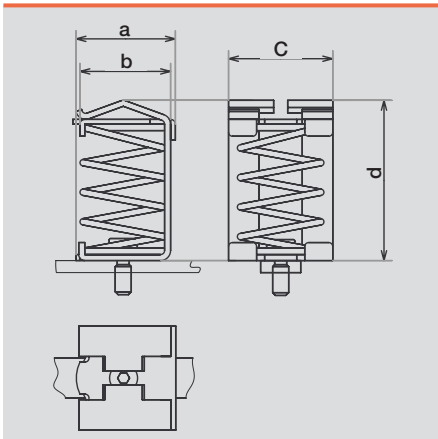
KLBÜ 15 - 32 SC



Drilling template KLBÜ 15 - 32 SC

F

KLBÜ SC



Marking on the product:

Marking EN 50019:

Marking EX-RL 94/9/EC:

EC type testing certificate: DMT 02 ATEX E 024 U

Order data

Type	For cable diameter	Thread length	Dimensions (a x b x c x d) mm	Qty	Order no.
KLBÜ 3 - 8 SC	3,0 ... 8,0 mm	5,65 mm	13,5 x 11,5 x 18,0 x 26,0	10	1692261001
KLBÜ 4 - 13,5 SC	4,0 ... 13,5 mm	5,30 mm	20,0 x 17,8 x 20,3 x 31,4	10	1712311001
KLBÜ 10 - 20 SC	10,0 ... 20,0 mm	5,30 mm	24,8 x 23,0 x 26,0 x 40,0	10	1712321001
KLBÜ 15 - 32 SC	15,0 ... 32,0 mm	4,80 mm	36,0 x 33,3 x 32,0 x 64,0	10	1718341001

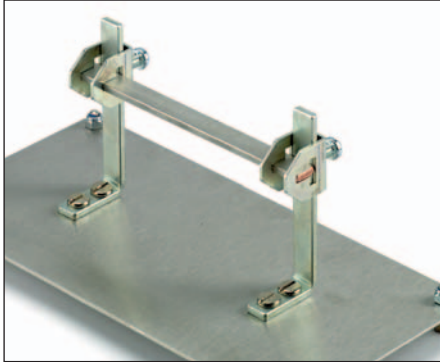
Operating tool	Qty	Order no.
BTWZ KLBÜ	1	1742630000



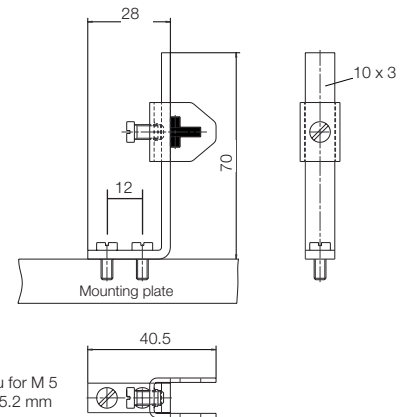
Mounting directly on metal plate

Busbar holder / Spacer

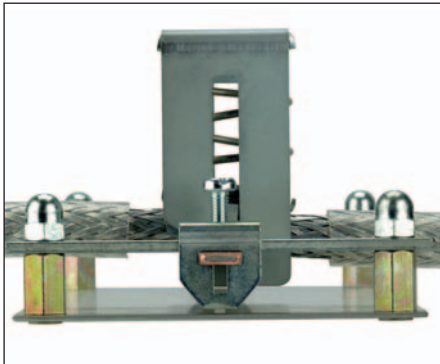
Busbar holder



Set (WSH 4 MT) consisting of:
 – 1 busbar holder
 – 1 busbar connector (BFEH 1/WSH)



Spacer



M6 outer and inner thread
 (15 mm, 20 mm and 30 mm long)



WSH 4 MT / SP

Order data

Busbar holder	Qty	Order no.
WSH 4 MT	10	1079900000

Type	Length	Qty	Order no.
SP 15 set of 2	15 mm	1	3896100000
SP 20 set of 2	20 mm	1	3896200000
SP 30 set of 2	30 mm	1	3896300000

EC type testing certificate: DMT 02 ATEX E 024 U

Mounting on TS 35

FM 4-foot / Clamping yoke holder

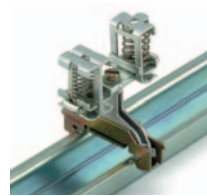
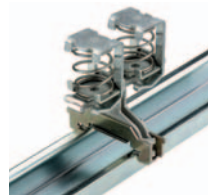
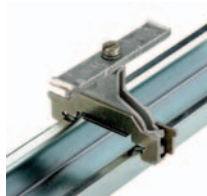
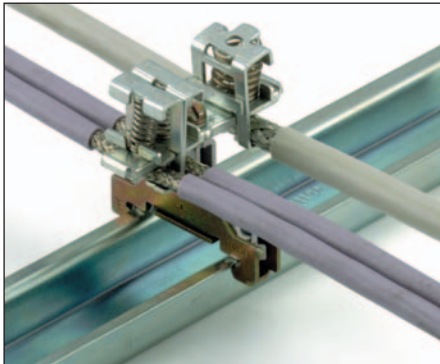
FM 4-foot



The KLBÜ SC clamping yokes (see page F.8) are screwed onto the **FM 4** foot.



Clamping yoke holder



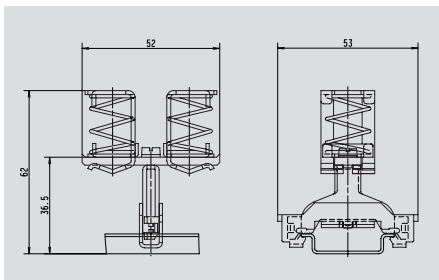
BS 35 II (without KLBÜ) BS 35 II / KLBÜ 3 - 8 BS 35 II / KLBÜ 3-8 / 2x2-6

F

FM 4 / BS 35 II

Order data

FM 4-foot	Qty	Order no.
FM 4	40	0687900000



Clamping yoke	For cable diameter	Qty	Order no.
BS 35 II	without KLBÜ	10	1723800000
BS 35 II / KLBÜ 3-8	3.0 ... 8.0 mm	10	1723810000
BS 35 II / KLBÜ 4-13.5	4.0 ... 13.5 mm	10	1723820000
BS 35 II / KLBÜ 3-8/2x2-6	3.0 ... 8.0 mm / 2.0 ... 6.0 mm	10	1749430000
BS 35 II / KLBÜ 2x3-8/2x2-6	3.0 ... 8.0 mm / 2.0 ... 6.0 mm	10	1768020000

Marking on the product:

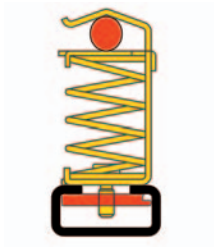
Marking EN 50019: EEx e II

Marking EX-RL 94/9/EC: II 2 G D

EC type testing certificate: DMT 02 ATEX E 024 U

For C-profiles

Clamping yoke



KLBÜ 3 - 8 CPF



KLBÜ 4 - 13.5 CPF

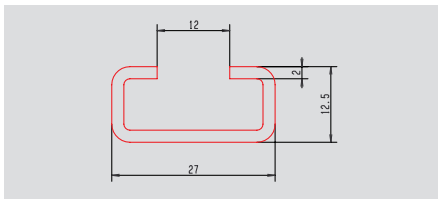
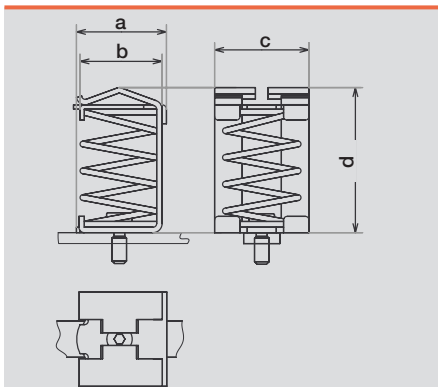


KLBÜ 10 - 20 CPF



KLBÜ 15 - 32 CPF

KLBÜ CPF



Order data

Type	For cable diameter	Dimensions (a x b x c x d) mm	Qty	Order no.
KLBÜ 3 - 8 CPF	3.0 ... 8.0 mm	13.5 x 11.5 x 18.0 x 26.0	10	1752681001
KLBÜ 4 - 13.5 CPF	4.0 ... 13.5 mm	20.0 x 17.8 x 20.3 x 31.4	10	1752691001
KLBÜ 10 - 20 CPF	10.0 ... 20.0 mm	24.8 x 23.0 x 26.0 x 40.0	10	1752701001
KLBÜ 15 - 32 CPF	15.0 ... 32.0 mm	36.0 x 33.3 x 32.0 x 64.0	10	1752711001

C-rail	Qty	Order no.
TS 27 x 12.5M / ST / FZN	10 m	1802690000

Marking on the product:

Marking EN 50019:

Marking EX-RL 94/9/EC: II 2 G D

EC type testing certificate: DMT 02 ATEX E 024 U

For direct mounting

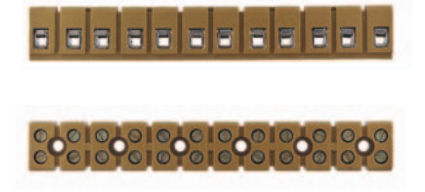
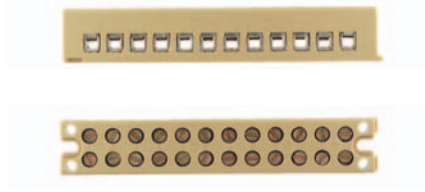
Screw connection

MK 2/12

2.5 mm²

MK 3/2 ... 12

2.5 mm²



Width x height / \varnothing fixing hole mm
(length and mounting size: see order data)
Max. clamping range mm²

15.0 x 15.0 / 3.20

15.0 x 16.1 / 3.45

0.21 ... 4.0

0.21 ... 4.0

Technical data

Rating data	
Rated voltage	V
Rated current	A
Rated cross-section	mm ²
Rated surge voltage / pollution severity	kV/-
Plug gauge acc. to IEC 60-947-1/ flammability class UL 94 Approvals	

IEC-60-947-7-1

IEC	UL	CSA
125	300	300
24	10	10
2.5	24..12 AWG	24..12 AWG
2.5 / 3		
A2 / V2		

IEC-60-947-7-1

IEC	UL	CSA
400	300	300
24	25	25
2.5	22..12 AWG	22..12 AWG
6 / 3		
A2 / 5VA		

Clamping conductor H05V/H07V)	
Solid / stranded	mm ²
Flexible / flexible with wire end ferrules	mm ²
Tightening torque range	Nm
Stripping length / clamping screw / blade size	mm

0.5...4 / 1.5...2.5
0.5...2.5 / 0.5...1.5
0.4...0.45
5 mm / M 2.5 / 3.5 x 0.6 mm

0.5...4 / 1.5...2.5
0.5...2.5 / 0.5...1.5
0.4...0.45
5 mm / M 2.5 / 3.5 x 0.6 mm

Notes

Order data

Version	Type	Length/mounting size mm	Qty	Order no.
2-pole				
3-pole				
4-pole				
5-pole				
6-pole				
7-pole				
8-pole				
9-pole				
10-pole				
12-pole	MK 2/12	86.00 / 80.0	50	0241260000
14-pole				
16-pole				

Type	Length/mounting size mm	Qty	Order no.

Type	Length/mounting size mm	Qty	Order no.
MK 3/2	17.40 / 18.5	100	0273820000
MK 3/3	26.50 / 18.5	50	0273920000
MK 3/4	35.75 / 18.5	50	0274020000
MK 3/5	45.00 / 18.5	50	0274120000
MK 3/6	54.25 / 37.0	50	0274220000
MK 3/7	63.50 / 37.0	50	0274320000
MK 3/8	72.75 / 55.5	25	0274420000
MK 3/9	82.00 / 55.5	25	0274520000
MK 3/10	91.25 / 74.0	20	0274620000
MK 3/12	110.00 / 92.5	20	0243520000

Notes

Accessories

Split rivet	Type	Qty	Order no.
	SN	500	0200100000
Solder bar			
	MF 2/12		0241760000
Tag strip			
printed	BSTb 28/12 bottom	50	0245700000
	BSTb 28/12 top	50	0278500000
not printed	BSTo 28/12	50	0245600000

Type	Qty	Order no.

Type	Qty	Order no.

For direct mounting

MK 4/16

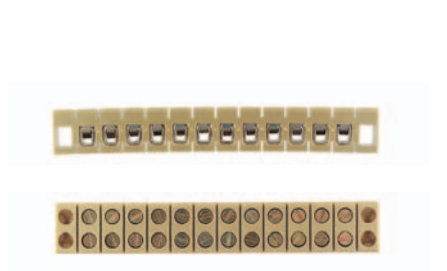
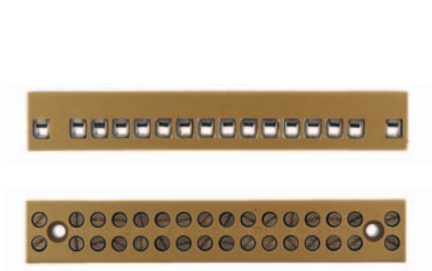
2.5 mm²

MK 6/2 ... 6/6

6.0 mm²

MK 10/14

2.5 mm²



17.0 x 16.0 / 3.40

0.21 ... 4.0

IEC-60-947-7-1

IEC	UL	CSA
400	150	150
24	20	15
2.5	22...12 AWG	22...12 AWG
	6 / 3	
	A2 / 5VA	



0.5...4 / 1.5...2.5

0.5...2.5 / 0.5...1.5

0.4...0.45

8 mm / M 2.5 / 3.5 x 0.6 mm

23 x 22 / 3.4

0.33 ... 6.0

IEC-60-947-7-1

IEC	UL	CSA
690	300	300
41.0	30	40
6.0	22...10 AWG	22...10 AWG
	8 / 3	
	A3 / V2	



0.5...6 / 1.5...6

0.5...6 / 0.5...4

1.2...2.0

9 mm / M 4 / 4.0 x 0.8 mm

13.5 x 12 / 3.1

0.21 ... 4.0

IEC-60-947-7-1

IEC	UL	CSA
125	150	300
24	25	10
2.5	22...12 AWG	24...12 AWG
	2.5 / 3	
	A2 / V2	



0.5...4 / 1.5...2.5

0.5...2.5 / 0.5...1.5

0.4...0.45

6 mm / M 2.5 / 3.5 x 0.6 mm

Mounted by gluing or with M3x12 screws. Through the empty terminal point chamber

Type	Length/mounting size mm	Qty	Order no.
MK 4/16	103.00 / 85.5	20	0244220000

Type	Length/mounting size mm	Qty	Order no.
MK 6/2	23.5 / -	50	0620420000
MK 6/3	36.5 / 13.0	50	0620320000
MK 6/4	49.5 / 26.0	20	0620220000
MK 6/6	75.5 / 52.0	20	0620120000

Type	Length/mounting size mm	Qty	Order no.
MK 10/14	88.5 / -	20	0370160000

Other pole numbers available on request

Type	Qty	Order no.
BSTb 28/16 unten	50	0262200000
BSTb 28/16 oben	50	0278700000
BSTo 28/16	50	0262100000

Type	Qty	Order no.
BSTb 28/6	50	0304600000

Type	Qty	Order no.
------	-----	-----------

Articles with coloured order number are kept permanently in stock at the central warehouse in Germany. Delivery times see page X.2

For direct mounting

Screw connection

MK 5/2 o. DE

2.5 mm²

KS 2 ... 10

2.5 mm²



Width x height / ø fixing hole mm
(length and mounting size: see order data)
Max. clamping range mm²

18.0 x 14.2 / 4.2

25.0 x 17.5 / 4.2

0.21 ... 4.0

0.21 ... 4.0

Technical data

Rating data

Rated voltage V
Rated current A
Rated cross-section mm²
Rated surge voltage / pollution severity kV/-
Plug gauge acc. to IEC 60-947-1/ flammability class UL 94 Approvals

	IEC	UL	CSA
Rated voltage	500		
Rated current	24		
Rated cross-section	2.5		
Rated surge voltage / pollution severity	6 / 3		
Plug gauge acc. to IEC 60-947-1/ flammability class UL 94 Approvals	A2 / 5 VA		

	IEC	UL	CSA
Rated voltage	500	300	300
Rated current	24	20	25
Rated cross-section	2.5	22...12 AWG	24...12 AWG
Rated surge voltage / pollution severity		6 / 3	
Plug gauge acc. to IEC 60-947-1/ flammability class UL 94 Approvals		A2 / 5VA	



Clamping conductor H05V/H07V)

Solid / stranded mm²
Flexible / flexible with wire end ferrules mm²
Tightening torque range Nm
Stripping length / clamping screw / blade size mm

0.5...4 / 1.5...2.5
0.5...2.5 / 0.5...1.5
0.4...0.45
5 mm / M 2.5 / 3.5 x 0.6 mm

0.5...4 / 1.5...2.5
0.5...2.5 / 0.5...1.5
0.5...0.7
8 mm / M 3 / 4.0 x 0.8 mm

Notes

Order data

Version

2-pole
3-pole
4-pole
5-pole
6-pole
7-pole
8-pole
9-pole
10-pole
12-pole
14-pole
16-pole

Type	Length/mounting size mm	Qty	Order no.
MK 5/2	40 / 32	100	0243820000

Type	Length/mounting size mm	Qty	Order no.
KS 2	42 / 32	100	0134420000
KS 4	66 / 56	50	0140320000
KS 6	90 / 80	50	0140620000
KS 10	138 / 128	20	0141620000

Notes

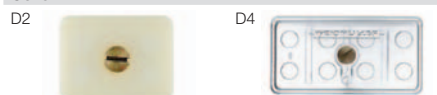
Accessories

Split rivet

Type	Qty	Order no.
D2 MK 5/2		0244060000

Type	Qty	Order no.
D2 KS2 TP	100	0134500000
D4 KS4 TP	50	0140500000
D6 KS6 TP	50	0140800000
D10 KS 10 TP	20	0141800000

Cover



Type	Qty	Order no.
D2 MK 5/2		0244060000

Type	Qty	Order no.
D2 KS2 TP	100	0134500000
D4 KS4 TP	50	0140500000
D6 KS6 TP	50	0140800000
D10 KS 10 TP	20	0141800000

Tag strip

printed

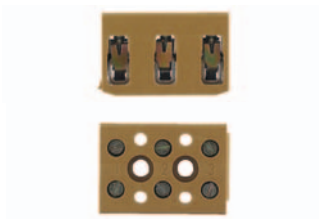
not printed

Type	Qty	Order no.
ELsB 2	50	0143200000
ELsB 4	50	0143300000
ELsB 6	50	0143400000
ELsB 10	50	0143500000
ELsO 2	50	0142800000
ELsO 4	50	0142900000
ELsO 6	50	0143000000
ELsO 10	50	0143100000

For direct mounting

BK 2...12

4.0 mm²



22 x 20 / 3.40

0.33 ... 4.0

IEC	UL	CSA
400	300	300
32.0	10	10
4.0	22..12 AWG	22..12 AWG
	6 / 3	
	A3 / 5VA	



0.5...4 / 1.5...4

0.5...4 / 0.5...4

0.5...0.7

8 mm / M 3 / 4.0 x 0.8 mm

Type	Length/mounting size mm	Qty	Order no.
BK 2CRN	20 / -	100	0624720000
BK 3CRN	31 / 11.0	100	0624920000
BK 4CRN	38 / 18.0	100	0625120000
BK 6CRN	52 / 32.0	50	0625220000
BK12 CRN	92 / 72.5	25	0625320000

Type	Qty	Order no.
SN	500	0200100000
BSTb 28/2	50	0203600000
BSTb 28/3	50	0203800000
BSTb 28/4	50	0197300000
BSTb 28/6	50	0197500000
BSTb 28/12	50	0198800000
BSTo 28/2	50	0203500000
BSTo 28/3	50	0203700000
BSTo 28/4	50	0197200000
BSTo 28/6	50	0197400000
BSTo 28/12	50	0198700000

Articles with coloured order number are kept permanently in stock at the central warehouse in Germany.
Delivery times see page X.2

For direct mounting

Screw connection

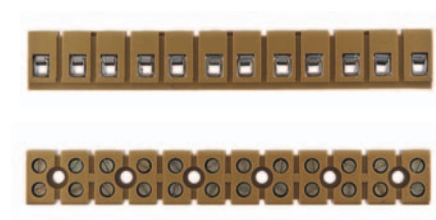
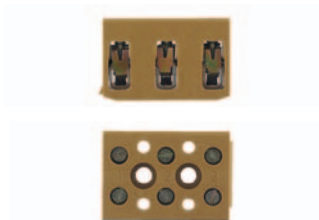
BK 2...12/E

4.0 mm²

MK 3/2...12/E

2.5 mm²

ATEX approval



Width x height / ø fixing hole mm
(length and mounting size: see order data)
Max. clamping range mm²

22 x 20 / 3.40

0.33 ... 4.0

15 x 16.1 x 3.45

0.214

Technical data

Rating data

Rated voltage	V
Rated current	A
Rated cross-section	mm ²
Rated surge voltage / pollution severity	kV/-
Plug gauge acc. to IEC 60-947-1/ flammability class UL 94	
Approvals	

IEC	UL	CSA	EN 50019
400	300	300	275
32.0	10	10	21
4.0	22 ...2 AWG	22 ...12 AWG	4.0
6 / 3			
A3 / 5VA			
		BAS 98ATEX3084 U	

IEC	UL	CSA	EN 50019
400	300	300	275
24	25	25	15
2.5	22 ...12 AWG	22 ...12 AWG	2.5
6 / 3			
A2 / 5VA			
		BAS 99ATEX2124 U	

Clamping conductor H05V/H07V)

Solid / stranded	mm ²
Flexible / flexible with wire end ferrules	mm ²
Tightening torque range	Nm
Stripping length / clamping screw / blade size	mm

0.5...4 / 1.5...4
0.5...4 / 0.5...4
0.5...0.7
8 mm / M 3 / 4.0 x 0.8 mm

0.5...4 / 1.5...2.5
0.5...2.5/ 0.5...1.5
0.4...0.6
5 mm / M 2.5/ 3.5x 0.6 mm

Notes

Order data

Version

Type	Length/mounting size mm	Qty	Order no.	
2-pole	BK 2/E	20 / -	100	7906040000
3-pole	BK 3/E	31 / 11.0	100	7906060000
4-pole	BK 4/E	38 / 18.0	100	7906080000
5-pole				
6-pole	BK 6/E	52 / 32.0	50	7906090000
7-pole				
8-pole				
9-pole				
10-pole				
11-pole				
12-pole	BK 12/E	92 / 72.5	25	7906100000

Type	Length/mounting size mm	Qty	Order no.
MK 3/2/E	17.40 / 18.50	100	7906110000
MK 3/3 E	26.50 / 18.50	100	7906120000
MK 3/4/E	35.75 / 18.50	50	7906130000
MK 3/5/E	45.00 / 18.50	50	7906140000
MK 3/6/E	54.25 / 37.00	50	7906150000
MK 3/7/E	63.50 / 37.00	25	7906160000
MK 3/8/E	72.75 / 55.50	25	7906170000
MK 3/9/E	82.00 / 55.50	25	7906180000
MK 3/10/E	91.25 / 74.00	25	7906190000
MK 3/11/E	100.50 / 74.00	25	7906200000
MK 3/12/E	110.00 / 92.50	25	7906210000

Notes

Accessories

Split rivet

Type	Qty	Order no.
SN	500	0200100000

Type	Qty	Order no.

Tag strip

Type	Qty	Order no.	
printed	BSTb 28/2	50	0203600000
	BSTb 28 /3	50	0203800000
	BSTb 28/4	50	0197300000
	BSTb 28/6	50	0197500000
	BSTb 28/12	50	0198800000
	not printed	BSTo 28/2	50
BSTo 28/3		50	0203700000
BSTo 28/4		50	0197200000
BSTo 28/6		50	0197400000
BSTo 28/12		50	0198700000

Type	Qty	Order no.

For direct mounting

MK 6/2 ... 6/E

6.0 mm²



23 x 22 / 3.40

0.21 ... 6

IEC	UL	CSA	EN 50019
690	300	300	420
41.0	30	40	26
6.0	22..10 AWG	22..10 AWG	6.0
8 / 3			
A3 / V0			
		BAS 99ATEX2123 U	

0.5...6 / 1.5...6

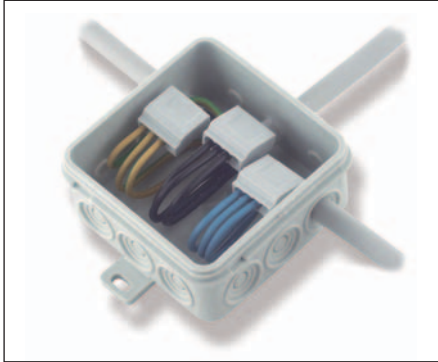
0.5...6 / 0.5...4

1.2...2.0

9 mm / M 4 / 4.0 x 0.8 mm

Type	Length/mounting size mm	Qty	Order no.
MK 6/2/E	23.50 / -	50	7906220000
MK 6/3/E	36.50 / 13.00	50	7906230000
MK 6/4/E	49.50 / 26.00	20	7906240000
MK 6/5/E	62.50 / 26.00	20	7906250000
MK 6/6/E	75.50 / 52.00	20	7906260000

Type	Qty	Order no.
BSTb 28/6	50	0304600000



Junction box terminals

- Suitable for rigid conductors
- Connect: strip conductor and push into terminal opening – that's all there is to it!
- Disconnect: unscrew ends of conductors and terminals from each other and pull apart at the same time.



Lighting terminals

- On the "installation side": suitable for two rigid conductors. The conductor can be looped on
- Within the lamp: suitable for flexible conductor which connects the lamp
- Strip rigid conductor and push into contact opening. Strip flexible wire and press rocker to open the clamping spring. Push end of conductor in and release rocker.



Europa terminals

- Suitable for rigid and flexible conductors
- Simply divide the 12-pole strip into parts with differing pole numbers.

Junction box terminals

D-series

Screwless installation terminals



- For connecting solid copper conductors using the direct push-in technique
- Extremely easy to push in
- Just one size covers all cross-sectional areas from 0.75 to 2.5 mm²
- Additional size for conductors up to 4 mm²
- 2 to 8 contact points
- Conductors disconnected by turning and pulling
- For aluminium conductors, we recommend using Alu-Top 30 a contact paste
- Test opening for voltage tester
- Grooves on the bottom to show the required stripping length
- Approvals based on DIN EN 60998 and UL 486C



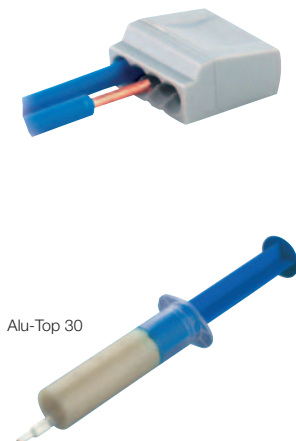
Technical data

Material				
Enclosure	Polyamide PA 66, pale grey RAL 7035			
Busbar	Coated electrolyte copper			
Connection values		EN 60998	UL 486C	for aluminium conductors ¹⁾
D1.5/2.5:		450V / 25 A	600V / 20 A	450V / 16A
D4.0		450V / 35 A	600V / 30 A	450V / 22A
Temperature range				
When using copper conductors	-40 °C .. +100 °C			
When using aluminium conductors ¹⁾	-40 °C .. +60 °C			
Approvals				

¹⁾ when using Alu-Top 30 contact paste

Order data

In box	Terminal points	Clamping range	Qty (in box)	Order no.
D1.5/2.5-2	2	0,75 - 2,5 mm ² (AWG 18 - 14) sol	100	1746420000
D1.5/2.5-3	3	0,75 - 2,5 mm ² (AWG 18 - 14) sol	100	1746430000
D1.5/2.5-4	4	0,75 - 2,5 mm ² (AWG 18 - 14) sol	100	1746440000
D1.5/2.5-5	5	0,75 - 2,5 mm ² (AWG 18 - 14) sol	100	1746450000
D1.5/2.5-8	8	0,75 - 2,5 mm ² (AWG 18 - 14) sol	50	1746460000
D4.0-3	3	1,50 - 4,0 mm ² (AWG 15 - 12) sol	50	1746470000
In bag	Terminal points	Clamping range	Qty (in bag)	Order no.
D-Pack D1.5/2.5-2	2	0,75 - 2,5 mm ² (AWG 18 - 14) sol	25	1781450000
D-Pack D1.5/2.5-3	3	0,75 - 2,5 mm ² (AWG 18 - 14) sol	25	1781460000
D-Pack D1.5/2.5-4	4	0,75 - 2,5 mm ² (AWG 18 - 14) sol	25	1781470000
D-Pack D1.5/2.5-5	5	0,75 - 2,5 mm ² (AWG 18 - 14) sol	25	1781480000
D-Pack D1.5/2.5-8	8	0,75 - 2,5 mm ² (AWG 18 - 14) sol	20	1781490000
D-Pack D4.0-3	3	1,50 - 4,0 mm ² (AWG 15 - 12) sol	20	1781500000
Accessories			Qty	Order no.
Alu-Top 30 (contact paste)			5	1778260000
Sample bag			1	1804420000



Alu-Top 30

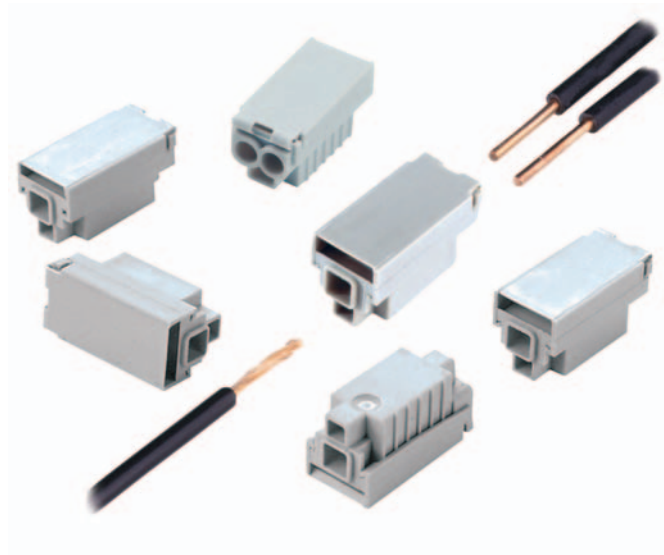
Articles with coloured order number are kept permanently in stock at the central warehouse in Germany. Delivery times see page X.2

Lamp terminals

Screwless installation terminals for solid and flexible conductors



- Fast, easy and safe installation of lamps
- Detachable connection, without tools
- 2 solid conductors connected on the installation side
- One flexible conductor connected on the lamp side
- Spring contact for screwless connection
- Test opening for voltage tester
- Minimal space requirement



Solid conductor strip (8–9 mm) and connect conductor



Stranded conductors strip (8–9 mm) conductor, compress terminal and insert conductor



Technical data

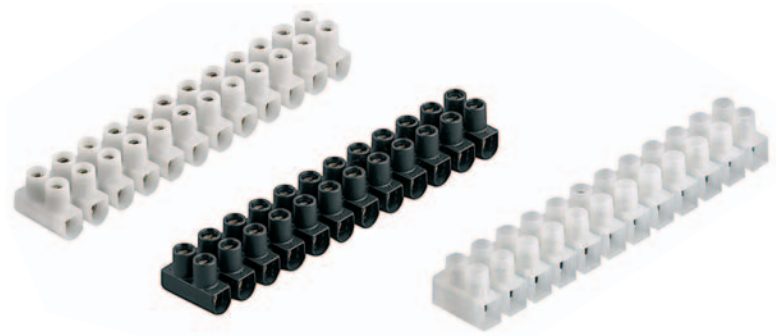
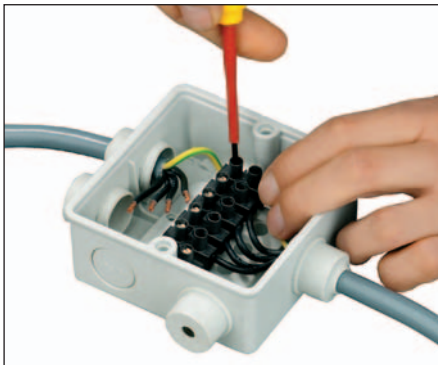
Material	
Enclosure	Polyamide PA 66, pale grey RAL 7035
Busbar	Tin-coated electrolyte copper
Clamping range	
Installation side	2 x 1,0 - 2,5 mm ² (AWG 17 - 14) solid copper conductor
Lamp side	1 x 0,5 - 2,5 mm ² (AWG 20 - 14) flexible copper conductor
Connection values	
Rated current/voltage	24 A / 400 V
Rated surge voltage	4 kV
Pollution severity	2
Temperature range	
Temperature in constant use	+105 °C acc. to UL 746B
Ambient temperature	-40 °C .. +60 °C
Approvals	

Order data

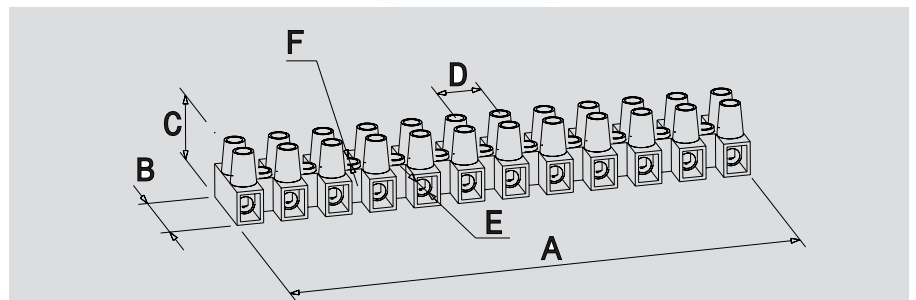
In box	Qty (in box)	Order no.
D-Lux 2/1	100	1774270000
In bag	Qty (in bag)	Order no.
D-Pack D-Lux 2/1	25	1791260000

Euro terminals

Screw connection



- 12-pole terminal strip for conductor cross-sectional areas up to 25 mm²
- Insulating material: choice of polyamide or polyethylene
- Captive screws, screwed up in delivery condition
- Various international approvals



Dimensions in mm

Type	A	B	C	D	E	F
D-Strip 2.5-4...	93.6	16.2	13.4	8.0	ø 2.8	ø 2.8
D-Strip 4-6...	116.4	18.6	15.0	10.0	ø 3.6	ø 3.5
D-Strip 6-10	133.5	22.2	17.3	11.5	ø 4.2	ø 3.6
D-Strip 16...	175.0	25.2	20.8	15.0	ø 5.8	ø 5.2
D-Strip 25...	212.0	36.0	29.6	18.0	ø 7.5	ø 4.0

Technical data

Material	Polyamide (natural)	Polyethylene (black or white)
Inserts	Chromated brass	Brass
Screws	Chromated steel	Chromated steel
Rated voltage		
D-Strip 2.5-4/12 to D-Strip 16/12	450 V	450 V
D-Strip 25/12	750 V	750 V
Temperature range		
Ambient temperature	+85 °C / +110 °C ¹⁾	+85 °C
max. testing temperature acc. to EN 60998	+115 °C / +140 °C ¹⁾	-
Approvals		

¹⁾ for D-strip 16/12 PA and D-strip 25/12 PA

Order data

Polyamide, natural	Nominal cross-section mm ²	Max. conductor cross-section mm ²	Qty.	Order no.
D-Strip 2.5-4/12 PA	2.5	4.0	10	1837100000
D-Strip 4-6/12 PA	4.0	6.0	10	1837130000
D-Strip 6-10/12 PA	6.0	10.0	10	1837160000
D-Strip 16/12 PA	16.0	16.0	10	1837190000
D-Strip 25/12 PA	25.0	25.0	10	1837220000
Polyethylene, black				
D-Strip 2.5-4/12 PE B	2.5	4.0	10	1837110000
D-Strip 4-6/12 PE B	4.0	6.0	10	1837140000
D-Strip 6-10/12 PE B	6.0	10.0	10	1837170000
D-Strip 16/12 PE B	16.0	16.0	10	1837200000
D-Strip 25/12 PE B	25.0	25.0	10	1837230000
Polyethylene, white				
D-Strip 2.5-4/12 PE W	2.5	4.0	10	1837120000
D-Strip 4-6/12 PE W	4.0	6.0	10	1837150000
D-Strip 6-10/12 PE W	6.0	10.0	10	1837180000
D-Strip 16/12 PE W	16.0	16.0	10	1837210000
D-Strip 25/12 PE W	25.0	25.0	10	1837240000

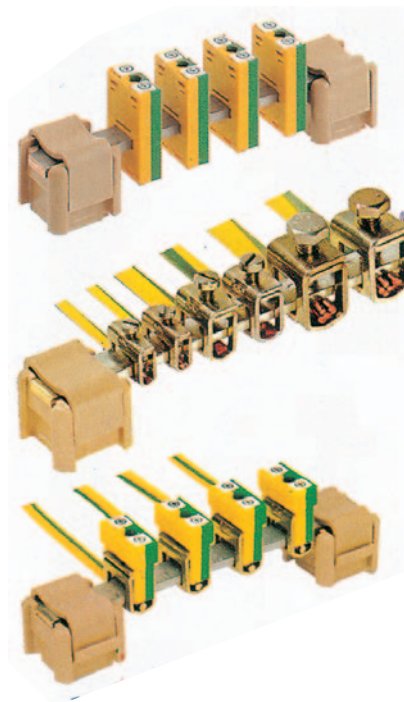
Busbar systems

Busbars

In switchgears and controls, it may be necessary to bring the neutral conductor and the protective conductor together at a central point. Busbars are available for this purpose and can be used for connecting a large number of conductors in a confined space (up to 70 conductors on a 1 m busbar). The conductors are connected by means of a pressure piece or tension clamp; the former does not entail bending the eyelets. A guide lug on the pressure piece engages in the busbar and holds the pressure piece firmly so that it cannot twist. The tension clamps can be pushed on the busbar and adjusted to the entire wiring in the system. The busbars can be used unperforated in any lengths. They are fixed using the SH busbar holder which can, for longer busbars, also be positioned between the tension clamps.

Tension clamps

(see page F.24 – F.25)



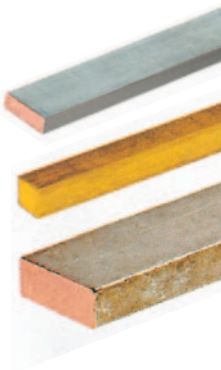
In order to bring together neutral conductors and protective conductors at a central point, it is advantageous to use ZB tension clamps together with 10 x 3 or 6 x 6 busbars. The tension clamps can be pushed onto the busbar and adjusted to the entire wiring in the system.

The tension clamp serves as the protective conductor connection and can be supplied with green/yellow insulating caps. These caps indicate the protective function and marking tags allow clear identification of each conductor.

If the tension clamps are used to connect neutral conductors, they can be marked with a blue insulating cap.

ZBE6 can also be swivelled onto the busbar retrospectively.

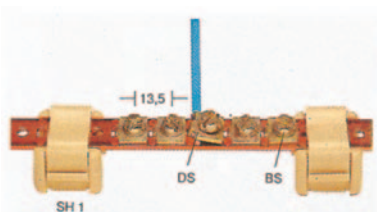
Busbars, unperforated



SSch

Type	Material	Cross-section	Length	Current carrying capacity	Qty	Order no.
SSch 10x3	Copper, tin-plated	10 x 3 mm	1 m	140 A	1	0348900000
SSch 10x3	Steel, galvanised	10 x 3 mm	1 m		1	0438000000
SSch 10x3	Brass, bright	10 x 3 mm	1 m	100 A	1	0259800000
SSch 6x6	Copper, tin-plated	6 x 6 mm	1 m	140 A	1	0571300000
SSch 6x6	Brass, bright	6 x 6 mm	1 m	100 A	1	0571200000
SSch 15x6	Copper, tin-plated	15 x 6 mm	1 m	265 A	1	0357400000

Busbars, perforated



NSch / ESch

Type	Material	Cross-section	Length	Power Rating	Qty	Order no.
NSch 15x2	Copper, bright	15 x 2 mm	1 m	80 A	1	0280200000
ESch 12x2	Steel, galvanised	12 x 2 mm	1 m		1	0280300000

Pressure piece	Qty	Order no.
DKSUE	100	0280100000
Clamping screw	Qty	Order no.
BFSC M5x8	100	0296700000

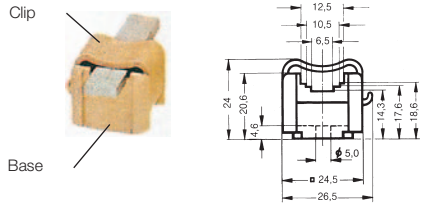
Connection data NSch/ESch

Screw connection solid	0.5 ... 2.5 mm ²
Stripping length	9 mm
Cable lug connection	max. 16 mm ²
Max. current per connection	27 A

Busbar systems

Busbar holders

With clip and base



SH

Type	For busbar cross-section	Qty.	Order no.
SH 1 TS 15 complete	10x3, 6x6, 15x2, 12x2	20	0299860000

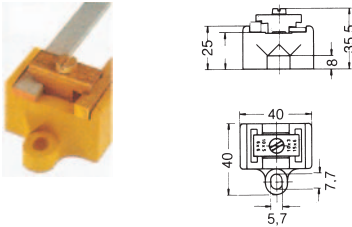
Individual parts SH1

SH 1 base		20	0401460000
SH 1 clip		500	0635960000

Fixing screw for SH2

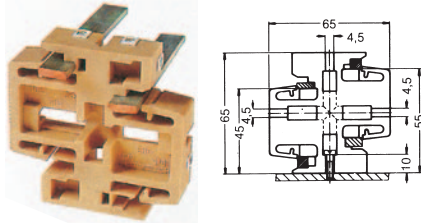
BFSC M4x9	for 1 SH1	100	0103300000
BFSC M4x30	for 2 SH1 stacked	50	0267100000

With metal bridge



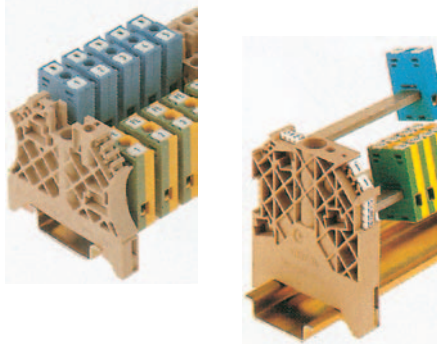
Type	For busbar cross-section	Qty.	Order no.
SH 2S	10x3, 6x6, 15x6, 10x5	10	0641720000

With metal bridge



Type	For busbar cross-section	Qty.	Order no.
SH 3	10x3, 6x6, 10x5	10	0556660000

Busbar holders



WEW

Type	For busbar cross-section	Qty.	Order no.
WEW 35/1	10x3, 6x6	50	1059000000
WEW 35/2	10x3, 6x6	100	1061200000

WEW 35/1 and WEW35/2 as busbar holder together with the ZB 4 G tension clamp

Connection element



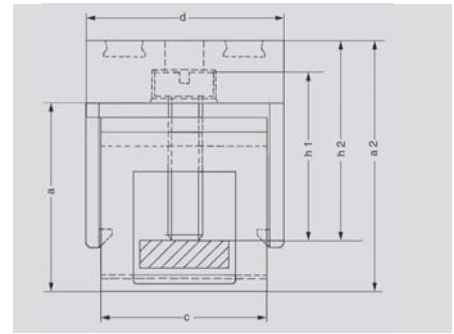
AK 95

Type	For busbar cross-section	Qty.	Order no.
AK 95	15 x 6 mm	10	0364200000

The AK95 connection element is used as a tension clamp for 15 x 6 busbars
 Connection cross-sections
 $e = 6 \dots 16 \text{ mm}^2$
 $f = 6 \dots 50 \text{ mm}^2$
 $m = 16 \dots 50 \text{ mm}^2$

Busbar systems

Tension clip, uninsulated



For 10 x 3 mm busbars

	Connection cross-section:	
	Solid	0.5 ... 6.0 mm ²
	Flexible	0.5 ... 4.0 mm ²
	Stranded	-
	Clamping screw	M 3
	Stripping length	16 mm

For swivelling on retrospectively

	Connection cross-section:	
	Solid	1.0 ... 10 mm ²
	Flexible	1.5 ... 10 mm ²
	Stranded	-
	Clamping screw	M 4
	Stripping length	19 mm

Also for busbar 10 x 5 mm available

	Connection cross-section:	
	Solid	1.5 ... 10 mm ²
	Flexible	2.5 ... 10 mm ²
	Stranded	-
	Clamping screw	M 4
	Stripping length	19 mm

	Connection cross-section:	
	Solid	2.5 ... 16 mm ²
	Flexible	2.5 ... 16 mm ²
	Stranded	16 ... 25 mm ²
	Clamping screw	M 4
	Stripping length	16 mm

	Connection cross-section:	
	Solid	-
	Flexible	16 ... 35 mm ²
	Stranded	16 ... 50 mm ²
	Clamping screw	M 6
	Stripping length	19 mm

For 6 x 6 mm busbars

	Connection cross-section:	
	Solid	0.5 ... 6.0 mm ²
	flexible	0.5 ... 4.0 mm ²
	Stranded	-
	Clamping screw	M 3
	Stripping length	16 mm

	Connection cross-section:	
	Solid	2.5 ... 16 mm ²
	Flexible	2.5 ... 16 mm ²
	Stranded	16 ... 25 mm ²
	Clamping screw	M 4
	Stripping length	12 mm

ZB / ZBE

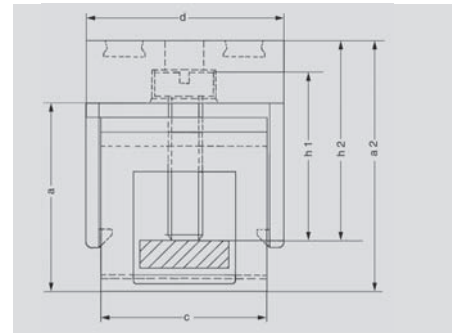
Type	Colour	Dimensions [mm]			Qty	Order no.
		a	width	c		
ZB 4, bright	-	11.7	5.6	16.0	50	0316500000
Insulating cap	Blue				50	0475480000
Insulating cap	Green/yellow				50	0475460000
ZBE 6, bright	-	19.5	8.2	19.5	50	0459500000
Insulating cap	Blue				50	0526080000
Insulating cap	Green/yellow				50	0526060000
ZB 10, bright	-	19.5	8.2	19.5	50	1261300000
ZB 16, bright	-	17.0	10.0	16.0	50	0316600000
Insulating cap	Blue				50	0502980000
Insulating cap	Green/yellow				50	0502960000
ZB 35, bright	-	21.0	14.4	18.4	20	0266500000
Insulating cap	Blue				50	0502780000
Insulating cap	Green/yellow				50	0502760000

ZB

Type	Colour	Dimensions [mm]			Qty	Order no.
		a	width	c		
ZB 4/6, bright	-	14.7	5.6	12.5	50	0556700000
Insulating cap	Blue				50	0565380000
ZB 16/6, bright	-	19.0	10.0	12.5	50	0556800000
Insulating cap	Blue				50	0565580000
Insulating cap	Green/yellow				50	0565560000

Busbar systems

Tension clamp, insulated



For busbars 10 x 3 mm



Connection cross-section:
 Solid 0.5 ... 6.0 mm²
 Flexible 0.5 ... 4.0 mm²
 Stranded -
 Clamping screw M 3
 Stripping length 16 mm

For swivelling on retrospectively



Connection cross-section:
 Solid 1.0 ... 10 mm²
 Flexible 1.5 ... 10 mm²
 Stranded -
 Clamping screw M 4
 Stripping length 19 mm



Connection cross-section:
 Solid 2.5 ... 16 mm²
 Flexible 2.5 ... 16 mm²
 Stranded 16 ... 25 mm²
 Clamping screw M 4
 Stripping length 16 mm



Connection cross-section:
 Solid -
 Flexible 16 ... 35 mm²
 Stranded 16 ... 50 mm²
 Clamping screw M 6
 Stripping length 19 mm

Tension spring connection



Connection cross-section:
 Solid 0.5 ... 4.0 mm²
 Flexible 0.5 ... 2.5 mm²
 Stranded -
 Stripping length 10 mm

ZB / ZBE / ZF

Type	Colour	Dimensions [mm]			Qty	Order no.	
		a2	width	d			h2
ZB 4 G GN/GE	Green/yellow	27.0	7.6	19.7	15.5	50	0322160000
ZB 4 G BL	Blue	27.0	7.6	19.7	15.5	50	0322180000
ZB 4 G SW	Black	27.0	7.6	19.7	15.5	50	0322110000
ZB 4K GN/GE	Green/yellow	18.5	6.0	19.0	13.0	50	0475360000
ZB 4K BL	Blue	18.5	6.0	19.0	13.0	50	0475380000
ZBE 6K GN/GE	Green/yellow	27.0	8.0	22.5	23.0	50	0525960000
ZBE 6K BL	Blue	27.0	8.0	22.5	23.0	50	0525980000
ZBE 6K SW	Black	27.0	8.0	22.5	23.0	50	0525910000
ZB 16K GN/GE	Green/yellow	24.0	10.0	19.2	20.0	50	0502860000
ZB 16K BL	Blue	24.0	10.0	19.2	20.0	50	0502880000
ZB 16K SW	Black	24.0	10.0	19.2	20.0	50	0502810000
ZB 35K GN/GE	Green/yellow	25.0	14.4	32.0	20.5	20	0502660000
ZB 35K BL	Blue	25.0	14.4	32.0	20.5	20	0502680000
ZB 35K SW	Black	25.0	14.4	32.0	20.5	20	0502610000
ZF 4 S	Beige	22.0	6.1	24.5	-	50	1814680000
ZF 4 S BL	Blue	22.0	6.1	24.5	-	50	1814660000
ZF 4 S GN/GE	Green/yellow	22.0	6.1	24.5	-	50	1814670000

For 6 x 6 mm busbar



Connection cross-section:
 Solid 0.5 ... 6.0 mm²
 Flexible 0.5 ... 4.0 mm²
 Stranded -
 Clamping screw M 3
 Stripping length 16 mm



Connection cross-section:
 Solid 2.5 ... 16 mm²
 Flexible 2.5 ... 16 mm²
 Stranded 16 ... 25 mm²
 Clamping screw M 4
 Stripping length 12 mm

ZB

Type	Colour	Dimensions [mm]			Qty	Order no.	
		a2	width	d			h2
ZB 4/6K GN/GE	Green/yellow	21.2	6.0	25.0	14.0	50	0565460000
ZB 4/6K BL	Blue	21.2	6.0	25.0	14.0	50	0565480000
ZB 16/6K GN/GE	Green/yellow	26.0	9.7	25.0	20.0	50	0569660000
ZB 16/6K BL	Blue	26.0	9.7	25.0	20.0	50	0569680000