



Chipsmall Limited consists of a professional team with an average of over 10 year of expertise in the distribution of electronic components. Based in Hongkong, we have already established firm and mutual-benefit business relationships with customers from,Europe,America and south Asia,supplying obsolete and hard-to-find components to meet their specific needs.

With the principle of “Quality Parts,Customers Priority,Honest Operation,and Considerate Service”,our business mainly focus on the distribution of electronic components. Line cards we deal with include Microchip,ALPS,ROHM,Xilinx,Pulse,ON,Everlight and Freescale. Main products comprise IC,Modules,Potentiometer,IC Socket,Relay,Connector.Our parts cover such applications as commercial,industrial, and automotives areas.

We are looking forward to setting up business relationship with you and hope to provide you with the best service and solution. Let us make a better world for our industry!



## Contact us

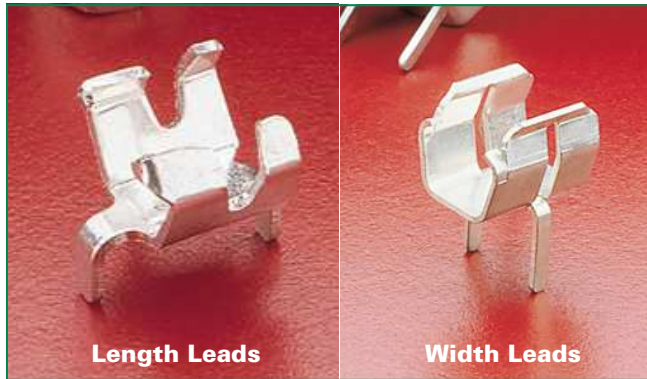
Tel: +86-755-8981 8866 Fax: +86-755-8427 6832

Email & Skype: info@chipsmall.com Web: www.chipsmall.com

Address: A1208, Overseas Decoration Building, #122 Zhenhua RD., Futian, Shenzhen, China




## 100/102/122 Series Low Profile Circuit Board Mount Fuse Clips for 1/4" Diameter Fuses RoHS



### Product Characteristics

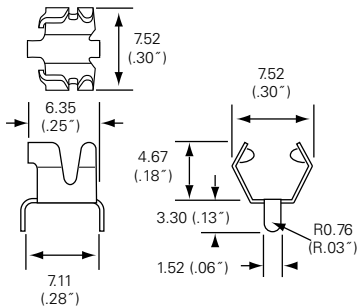
	102 080	122 090	100 058
<b>Compatible Fuse Size</b>	<b>1/4" Diameter and 6.3mm Fuses</b>		
<b>Current Level</b>	15 Amps max	30 Amps max	15 Amps max

### Agency Approval

Agency	Agency File Number		
	<b>102 080</b>	<b>122 090</b>	<b>100 058</b>
	E14721		

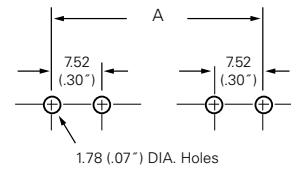
### Product Dimensions

#### 102/122 Series



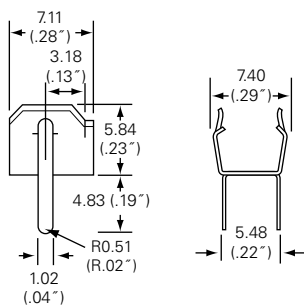
#### Mounting Dimensions for 102/122 Series

Nominal Fuse Length	"A" Length
5/8	.760
3/4	.880
7/8	1.005
1	1.130
1 1/16	1.195
1 1/4	1.380
1 7/16	1.570



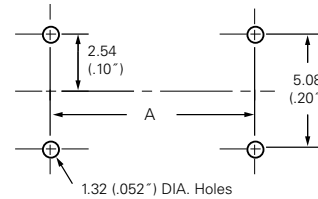
#### Recommended Mounting Dimensions

#### 100 Series



#### Mounting Dimensions for 100 Series

Nominal Fuse Length	"A" Length
1	0.781
1 1/14	1.035
1 7/16	1.250



#### Recommended Mounting Dimensions

## Ordering Information

Ordering PN*	Catalog No.	Clip Material	Plating	Style	Packaging Available
0102 0080	102 080	Spring Brass	Tin-plated	Ear	Z
0122 0090	122 090	Beryllium Copper	Silver-plated	Ear	Z
0100 0058	100 058	Spring Brass	Tin-plated	Ear	Z

**Add Suffix to the Ordering PN for Packaging**

"Z" = for bulk package

## Additional Information



**Datasheet  
100 Series**



**Resources  
100 Series**



**Samples  
100 Series**



**Datasheet  
102 Series**



**Resources  
102 Series**



**Samples  
102 Series**



**Datasheet  
122 Series**



**Resources  
122 Series**



**Samples  
122 Series**