



Chipsmall Limited consists of a professional team with an average of over 10 year of expertise in the distribution of electronic components. Based in Hongkong, we have already established firm and mutual-benefit business relationships with customers from,Europe,America and south Asia,supplying obsolete and hard-to-find components to meet their specific needs.

With the principle of "Quality Parts,Customers Priority,Honest Operation,and Considerate Service",our business mainly focus on the distribution of electronic components. Line cards we deal with include Microchip,ALPS,ROHM,Xilinx,Pulse,ON,Everlight and Freescale. Main products comprise IC,Modules,Potentiometer,IC Socket,Relay,Connector.Our parts cover such applications as commercial,industrial, and automotives areas.

We are looking forward to setting up business relationship with you and hope to provide you with the best service and solution. Let us make a better world for our industry!



## Contact us

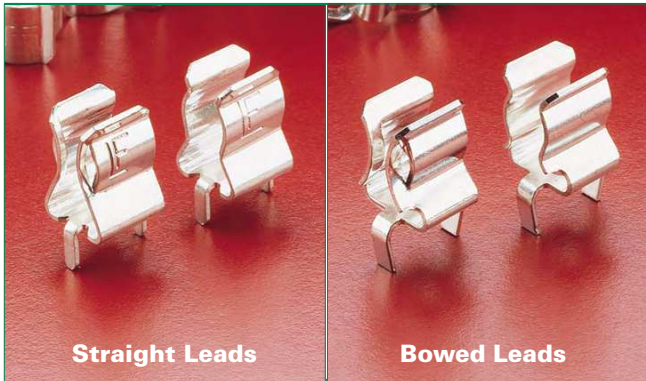
Tel: +86-755-8981 8866 Fax: +86-755-8427 6832

Email & Skype: info@chipsmall.com Web: www.chipsmall.com

Address: A1208, Overseas Decoration Building, #122 Zhenhua RD., Futian, Shenzhen, China




## 102/122 Series Circuit Board Mount Fuse Clips for 1/4" Diameter Fuses



**Straight Leads**

**Bowed Leads**

### Agency Approval

Agency	Agency File Number	
	102 Series	122 Series
	E14721	

### Additional Information



**Datasheet  
102 Series**



**Resources  
102 Series**



**Samples  
102 Series**



**Datasheet  
122 Series**



**Resources  
122 Series**

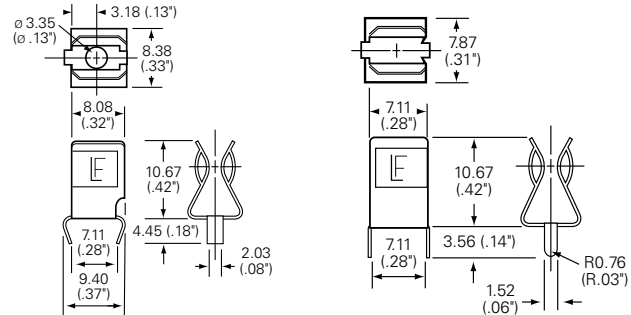


**Samples  
122 Series**

### Product Characteristics

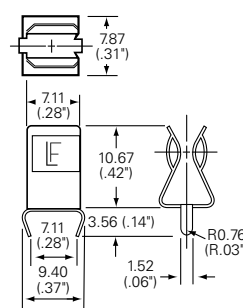
	102 Series	122 Series
<b>Compatible Fuse Size</b>	<b>1/4" Diameter Fuses 312, 313, 314, 326, 505, 506, 508 Series</b>	
<b>Current Level</b>	15 amperes max	30 amperes max

### Product Dimensions

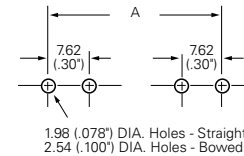


**Bowed Leads  
for 102 series**

**Straight Leads**



**Bowed Leads  
for 122 series**



**Recommended Mounting Dimensions**

Nominal Fuse Length	"A" Length
5/8	.750
3/4	.875
7/8	1.000
1	1.125
1 1/16	1.187
1 1/4	1.347
1 7/16	1.562

### Ordering Information

Ordering PN *	Catalog No.	Clip Material	Plating	Style	Packaging Available
<b>Traditional Clips</b>					
0102 0071	102 071	Spring Brass	Tin-plated	Ear	Z
0102 0074	102 074	Spring Brass	Tin-plated	Earless	Z
0102 0076	102 076	Spring Brass	Tin-plated	Ear	Z
0122 0055	122 055	Copper-Nickel Alloy	Tin-plated	Ear	Z
0122 0083	122 083	Beryllium Copper	Silver-plated	Ear	Z
0122 0087	122 087	Beryllium Copper	Silver-plated	Earless	Z
0122 0088	122 088	Beryllium Copper	Tin-plated	Ear	Z
0122 0093	122 093	Beryllium Copper	Tin-plated	Earless	Z
<b>Bowed Tab Clips</b>					
0102 0078	102 078	Spring Brass	Tin-plated	Earless	H and Z
0102 0079	102 079	Spring Brass	Tin-plated	Ear	Z
0122 055Z-1	122 055	Copper-Nickel Alloy	Tin-plated	Ear	Z
0122 088Z-1	122 088	Beryllium Copper	Tin-plated	Ear	Z

\*Add Suffix to the Ordering PN for Packaging:

"H" = std. package 100 pcs per pack

"Z" = for bulk package