



Chipsmall Limited consists of a professional team with an average of over 10 year of expertise in the distribution of electronic components. Based in Hongkong, we have already established firm and mutual-benefit business relationships with customers from,Europe,America and south Asia,supplying obsolete and hard-to-find components to meet their specific needs.

With the principle of “Quality Parts,Customers Priority,Honest Operation,and Considerate Service”,our business mainly focus on the distribution of electronic components. Line cards we deal with include Microchip,ALPS,ROHM,Xilinx,Pulse,ON,Everlight and Freescale. Main products comprise IC,Modules,Potentiometer,IC Socket,Relay,Connector.Our parts cover such applications as commercial,industrial, and automotives areas.

We are looking forward to setting up business relationship with you and hope to provide you with the best service and solution. Let us make a better world for our industry!



Contact us

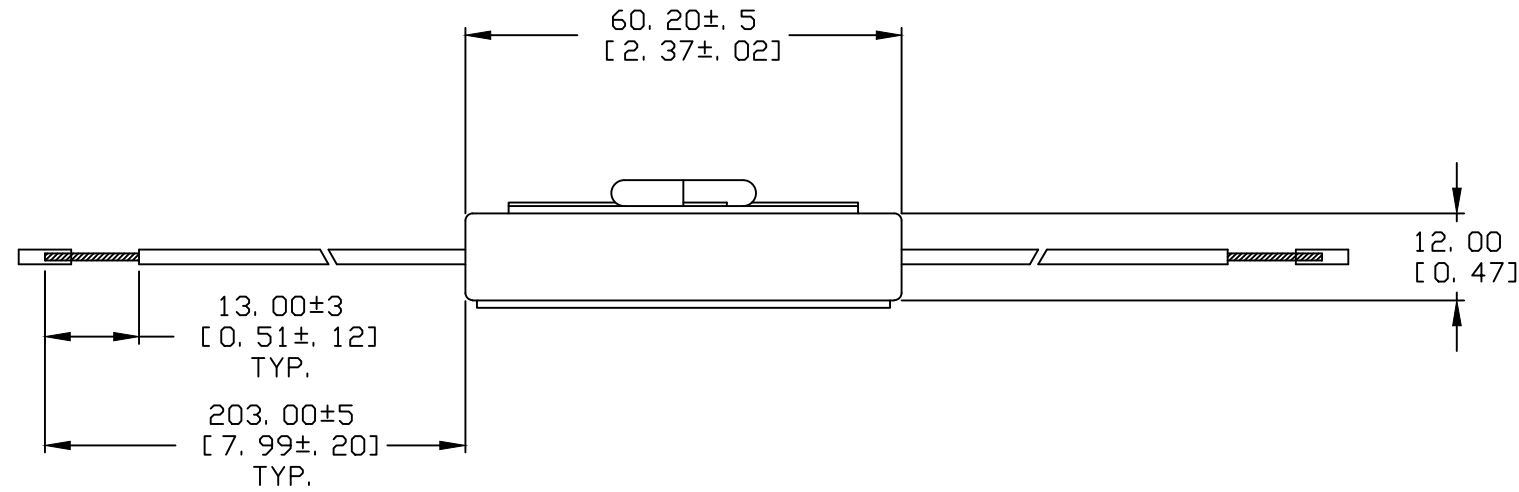
Tel: +86-755-8981 8866 Fax: +86-755-8427 6832

Email & Skype: info@chipsmall.com Web: www.chipsmall.com

Address: A1208, Overseas Decoration Building, #122 Zhenhua RD., Futian, Shenzhen, China



PART NUMBER	DESCRIPTION	UPC CODE	STRIPPED WIRES
01500322.HXA	3AG INLINE FUSEHOLDER WITH RED LEADS	079458 13153	YES
01500322.HXU	3AG INLINE FUSEHOLDER WITH RED LEADS	079458 79725	NO



NOTES:

1. WIRE IS AWG18, RATED @150°C, COLOR: RED
2. INTERNAL TERMINALS ARE BRASS, Sn PLATED

PACKAGING NOTES:

SUPPLIER TO PACKAGE 50 PCS PER BAG. AND LABEL WITH A LABEL PRINTED WITH:
 *LITTELFUSE PART NUMBER
 *DESCRIPTION
 *QUANTITY
 *DATE CODE
 *COUNTRY OF ORIGIN
 *UPC CODE

UNLESS OTHERWISE SPECIFIED, DIMENSIONS ARE IN MILLIMETERS. DIMENSIONS IN BRACKETS [] ARE INCHES
 UNLESS OTHERWISE SPECIFIED, DIMENSIONS DO NOT INCLUDE PLATING.
 ● DENOTES CRITICAL CHARACTERISTICS.
 CPK DENOTES CPK DIMENSIONS, -MINIMUM CPK VALUE
 (ST) DENOTES A CHARACTERISTIC THAT PROVIDES AN INDICATION OF PROCESS PERFORMANCE. PROCEDURE FOR MEASUREMENT AND TRACKING TO BE DEFINED IN LITTELFUSE INSPECTION INSTRUCTIONS.
 CP DENOTES CP DIMENSIONS, -MINIMUM CP VALUE MUST BE WITHIN THE DIMENSIONAL LIMITATIONS SHOWN ON DRAWING AND INITIALLY LOCATED TO ALLOW FOR MAXIMUM TOOL LIFE.

NO	COMPONENT NO	DESCRIPTION	QTY/M	U/M
BILL OF MATERIAL				
COPIES TO		MATL SPEC	FINISH	
1	9	DRW	LDL	DATE 02/16/07
2	10	18	CHK	SCALE FULL
3	11	19		SUPER DRW
4	12	20	APPD	DATE
5	13	21		FINISH GOOD WT
6	14	22		GRAMS/PIECE
7	15	23		TOLERANCE UNLESS OTHERWISE SPECIFIED
8	16	24		TWO PLACE DEC ±.25L, 01J FRACTION ±
	17	25		THREE PLACE DEC ±.100L, 004J ANGULAR ±1°
	18	26		3RD ANGLE PROJECTION
	19	27		TITLE
	20	28		3AG INLINE FUSEHOLDER WITH RED LEADS
	21	29		REVISION
	22	30		NO. 01500322.HXA THRU
	23	31		01500322.HXU
	24	32		FINAL
	25	33		D
	26	34		Littelfuse
	27	35		DES PLAINES, ILLINDIS 60016
	28	36		CHK
	29	37		APD
	30	38		
	31	39		
	32	40		
	33	41		
	34	42		
	35	43		
	36	44		
	37	45		
	38	46		
	39	47		
	40	48		
	41	49		
	42	50		
	43	51		
	44	52		
	45	53		
	46	54		
	47	55		
	48	56		
	49	57		
	50	58		
	51	59		
	52	60		
	53	61		
	54	62		
	55	63		
	56	64		
	57	65		
	58	66		
	59	67		
	60	68		
	61	69		
	62	70		
	63	71		
	64	72		
	65	73		
	66	74		
	67	75		
	68	76		
	69	77		
	70	78		
	71	79		
	72	80		
	73	81		
	74	82		
	75	83		
	76	84		
	77	85		
	78	86		
	79	87		
	80	88		
	81	89		
	82	90		
	83	91		
	84	92		
	85	93		
	86	94		
	87	95		
	88	96		
	89	97		
	90	98		
	91	99		
	92	100		