



Chipsmall Limited consists of a professional team with an average of over 10 year of expertise in the distribution of electronic components. Based in Hongkong, we have already established firm and mutual-benefit business relationships with customers from,Europe,America and south Asia,supplying obsolete and hard-to-find components to meet their specific needs.

With the principle of "Quality Parts,Customers Priority,Honest Operation,and Considerate Service",our business mainly focus on the distribution of electronic components. Line cards we deal with include Microchip,ALPS,ROHM,Xilinx,Pulse,ON,Everlight and Freescale. Main products comprise IC,Modules,Potentiometer,IC Socket,Relay,Connector.Our parts cover such applications as commercial,industrial, and automotives areas.

We are looking forward to setting up business relationship with you and hope to provide you with the best service and solution. Let us make a better world for our industry!



Contact us

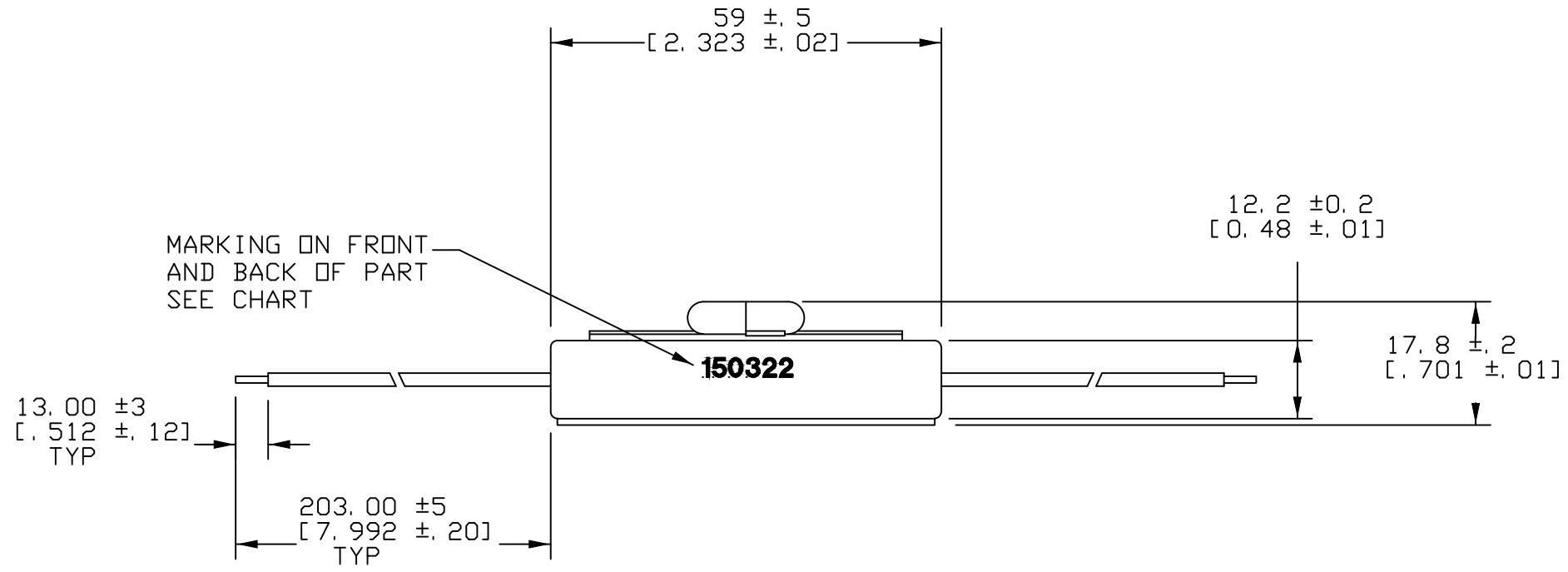
Tel: +86-755-8981 8866 Fax: +86-755-8427 6832

Email & Skype: info@chipsmall.com Web: www.chipsmall.com

Address: A1208, Overseas Decoration Building, #122 Zhenhua RD., Futian, Shenzhen, China



PART NUMBER	DESCRIPTION	UPC CODE	MARKING	
			FRONT	BACK
01500322H	ACS 3AG INLINE FUSE HOLDER	079458 10590	150322	500V 15A MAX UR
01500332H	ACS 3AG INLINE FUSE HOLDER	079458 94730	150332	250V 15A UR PA-VD





NOTES:

1. WIRE IS AWG18, RATED @150°C, COLOR: BLACK
2. INTERNAL TERMINALS ARE BRASS, Sn PLATED

APPROVED HOUSING MATERIALS:
PREFERRED: DUPONT FR7025VDF


PACKAGING NOTES:

- SUPPLIER TO PACKAGE 100 PCS PER BOX AND LABEL WITH A LABEL PRINTED WITH:
- *LITTELFUSE PART NUMBER
 - *DESCRIPTION
 - UL RECOGNIZED LOGO 
 - *QUANTITY
 - *DATE CODE
 - *COUNTRY OF ORIGIN
 - *UPC CODE

UNLESS OTHERWISE SPECIFIED, DIMENSIONS ARE IN MILLIMETERS. DIMENSIONS IN BRACKETS [] ARE INCHES	UNLESS OTHERWISE SPECIFIED, DIMENSIONS DO NOT INCLUDE PLATING.
● DENOTES CRITICAL CHARACTERISTICS.	
CPK DENOTES CPK DIMENSIONS, -MINIMUM CPK VALUE	
 DENOTES A CHARACTERISTIC THAT PROVIDES AN INDICATION OF PROCESS PERFORMANCE. PROCEDURE FOR MEASUREMENT AND TRACKING TO BE DEFINED IN LITTELFUSE INSPECTION INSTRUCTIONS.	
CP DENOTES CP DIMENSIONS, -MINIMUM CP VALUE MUST BE WITHIN THE DIMENSIONAL LIMITATIONS SHOWN ON DRAWING AND INITIALLY LOCATED TO ALLOW FOR MAXIMUM TOOL LIFE.	

NO	COMPONENT NO	DESCRIPTION	QTY/M	U/M	MATERIAL SPECIFICATION	
					DRW	FINISH
1	9	18	18	18	18	18
2	10	19	19	19	19	19
3	12	20	20	20	20	20
4	13	21	21	21	21	21
5	14	23	23	23	23	23
6	15	33	33	33	33	33
7	16	43	43	43	43	43
8	17	53	53	53	53	53

BILL OF MATERIAL

COPIES TO	1	2	3	4	5	6	7	8	
DRW	18	19	20	21	23	33	43	53	
MGR	03/11/11	03/11/11	03/11/11	03/11/11	03/11/11	03/11/11	03/11/11	03/11/11	
C. HERBIAS	SCALE	SUPER DRW	FINISH	GOOD WT	GRAMS/PIECE	TOLERANCE UNLESS OTHERWISE SPECIFIED			
C. HERBIAS	±.25[.01]	FRACTION ±	±.100[.004]	ANGULAR ±1°					
APPD	TITLE								
APPD	IN-LINE FUSE HOLDER								
3RD ANGLE PROJECTION									
LITTELFUSE		DES PLAINES, ILLINOIS 60016		REVISION		DRAWG. NO.		OUTLINE	
A		501802ERE - RELEASED 03/11/11		MGR		01500322H		THRU 01500332H	