



Chipsmall Limited consists of a professional team with an average of over 10 year of expertise in the distribution of electronic components. Based in Hongkong, we have already established firm and mutual-benefit business relationships with customers from,Europe,America and south Asia,supplying obsolete and hard-to-find components to meet their specific needs.

With the principle of “Quality Parts,Customers Priority,Honest Operation,and Considerate Service”,our business mainly focus on the distribution of electronic components. Line cards we deal with include Microchip,ALPS,ROHM,Xilinx,Pulse,ON,Everlight and Freescale. Main products comprise IC,Modules,Potentiometer,IC Socket,Relay,Connector.Our parts cover such applications as commercial,industrial, and automotives areas.

We are looking forward to setting up business relationship with you and hope to provide you with the best service and solution. Let us make a better world for our industry!



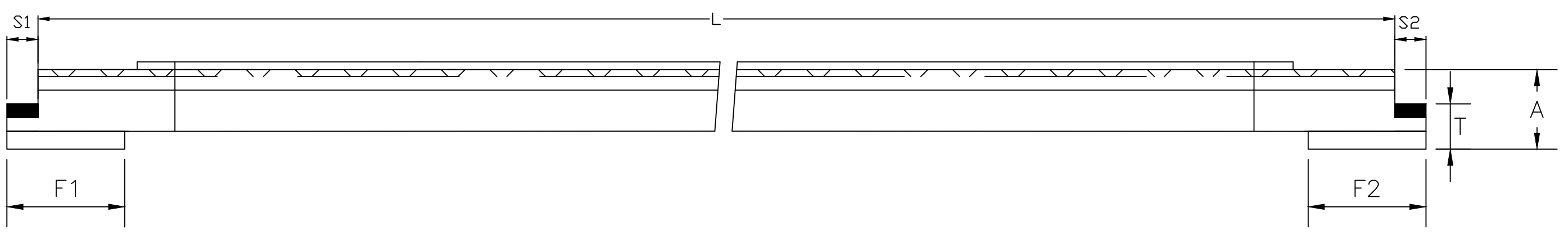
Contact us

Tel: +86-755-8981 8866 Fax: +86-755-8427 6832

Email & Skype: info@chipsmall.com Web: www.chipsmall.com

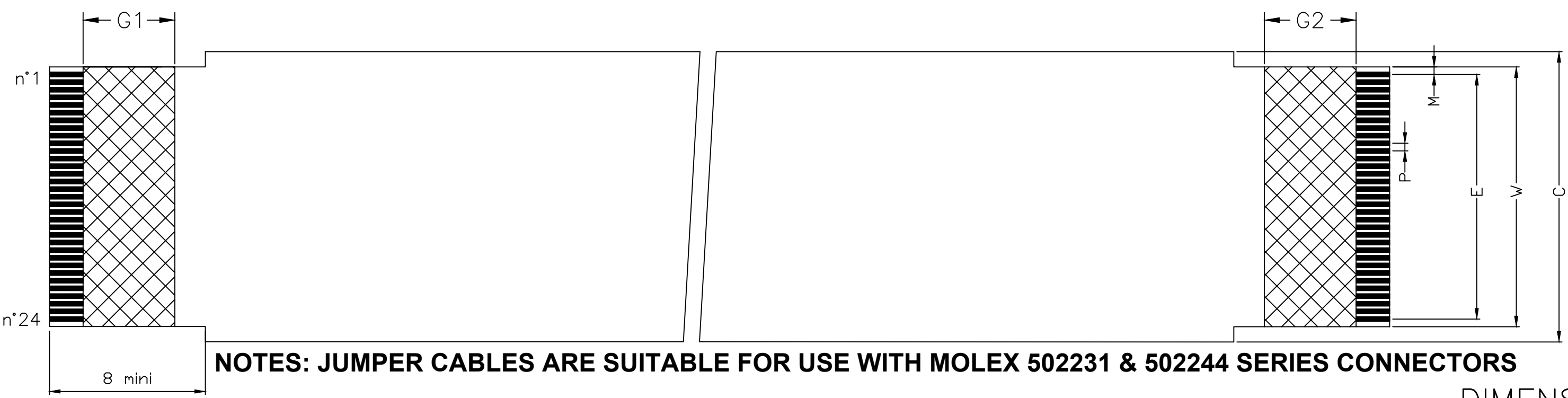
Address: A1208, Overseas Decoration Building, #122 Zhenhua RD., Futian, Shenzhen, China





PART NO.	CKTS	LENGTH
15021-0224	24	2"
15021-0424	24	4"
15021-0624	24	6"
15021-0824	24	8"
15021-1024	24	10"
15021-1224	24	12"
15021-2424	24	24"

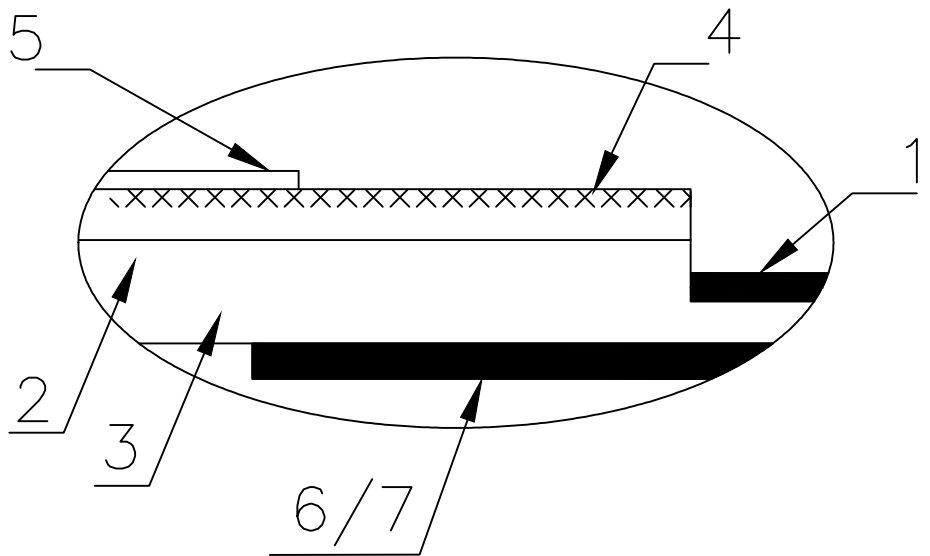
Grounding area



NOTES: JUMPER CABLES ARE SUITABLE FOR USE WITH MOLEX 502231 & 502244 SERIES CONNECTORS

COMPOSITION:

Item	COMPONENTS	UNITS	SPECIFICATIONS
1	Conductor	Material	Gold plated contacts (0.3µm Ni/0.05µm Au min)
		Width	mm 0.23 mm nominal
		Thickness	mm 0.055 mm nominal
2	Insulation tape	Material	Polyester+flame retardant adhesive insulation
		Thickness	mm 0.100 mm nominal
3	Insulation tape	Material	Polyester+flame retardant adhesive insulation
		Thickness	mm 0.100 mm nominal
4	Aluminum tape	Material	Polyester/Aluminium/Adhesive
		Thickness	mm 0.119 mm nominal
5	Insulation tape	Material	Polyester + FR adhesive insulation
		Thickness	mm 0.043 mm nominal
6,7	Reinforcement Tape	Material	Blue Polyester
		Thickness	mm 0.155 mm nominal



DIMENSIONS

ITEMS	REP.	NOMINAL
Number of conductors		24(=28-4)
Pitch	P	0.50 ± 0.05
Span	E	11.50 ± 0.05
Width	W	12.50 ± 0.07
Total end Width	C	14.50 ± 0.15
Margin	M	0.50 ± 0.08
Strip length	S1/S2	2.2 ± 0.5
Grounding length	G1/G2	6 ± 2
End thickness	T	0.30 ± 0.05
Reinforcement length	F1/F2	7.0 ± 1.5
Thickness grounding area	A	0.50 ± 0.05

CHARACTERISTICS

ITEMS	VALUE	TEST METHOD
Resistance of conductor at 20°C	1950 Ohm/km maxi	-
Insulation resistance (Conductor to conductor)	10 MOhm.m mini	200 V DC
Dielectric test (Conductor to conductor)	1 minute	200 V AC
Temperature rating	-40°C to 80°C	UL2896
Voltage rating	30 V AC maxi	
Flame resistance	VW-1	UL758
Differential impedance	100 Ω ± 10 Ω	-
Speed L:2"-10"	5-10 Gigabits/sec	-
Speed L:12"-24"	2-5 Gigabits/sec	-

DIMENSIONAL TOLERANCES		DIMENSIONAL TOLERANCES	
45 mm TO 60 mm	±2 mm	1.772 TO 2.400	±0.079
61 mm TO 100 mm	±3 mm	2.401 TO 3.975	±0.119
101 mm TO 200 mm	±4 mm	3.946 TO 7.912	±0.157
201 mm TO 1500 mm	±5 mm	7.913 TO 59.055	±0.197

INITIAL RELEASE EC NO: USW2016-0198 DRWN: MD 2016/02/24	DESCRIPTION REV	QUALITY SYMBOL	GENERAL TOLERANCES (UNLESS SPECIFIED)		DIMENSION STYLE INCH [MM]		SCALE NONE	DESIGN UNITS METRIC	THIRD ANGLE PROJECTION		
		▽=0	mm	INCH	DRAWN BY MDIGGIKA	DATE 2016/02/25	TITLE LVDS CKTS 24				
		∇=0	4 PLACES ±---	±---	CHECKED BY	DATE					
			3 PLACES ±---	±---	APPROVED BY		DATE				
			2 PLACES ±---	±---	MATERIAL NO. SEE CHART		DOCUMENT NO. SD-15021-024	SHEET NO. 1 OF 1			
	1 PLACE ±---	±---	ANGULAR ±1°		Molex MOLEX INCORPORATED						
DRAFT WHERE APPLICABLE MUST REMAIN WITHIN DIMENSIONS			THIS DRAWING CONTAINS INFORMATION THAT IS PROPRIETARY TO MOLEX INCORPORATED AND SHOULD NOT BE USED WITHOUT WRITTEN PERMISSION								