



Chipsmall Limited consists of a professional team with an average of over 10 year of expertise in the distribution of electronic components. Based in Hongkong, we have already established firm and mutual-benefit business relationships with customers from,Europe,America and south Asia,supplying obsolete and hard-to-find components to meet their specific needs.

With the principle of “Quality Parts,Customers Priority,Honest Operation,and Considerate Service”,our business mainly focus on the distribution of electronic components. Line cards we deal with include Microchip,ALPS,ROHM,Xilinx,Pulse,ON,Everlight and Freescale. Main products comprise IC,Modules,Potentiometer,IC Socket,Relay,Connector.Our parts cover such applications as commercial,industrial, and automotives areas.

We are looking forward to setting up business relationship with you and hope to provide you with the best service and solution. Let us make a better world for our industry!



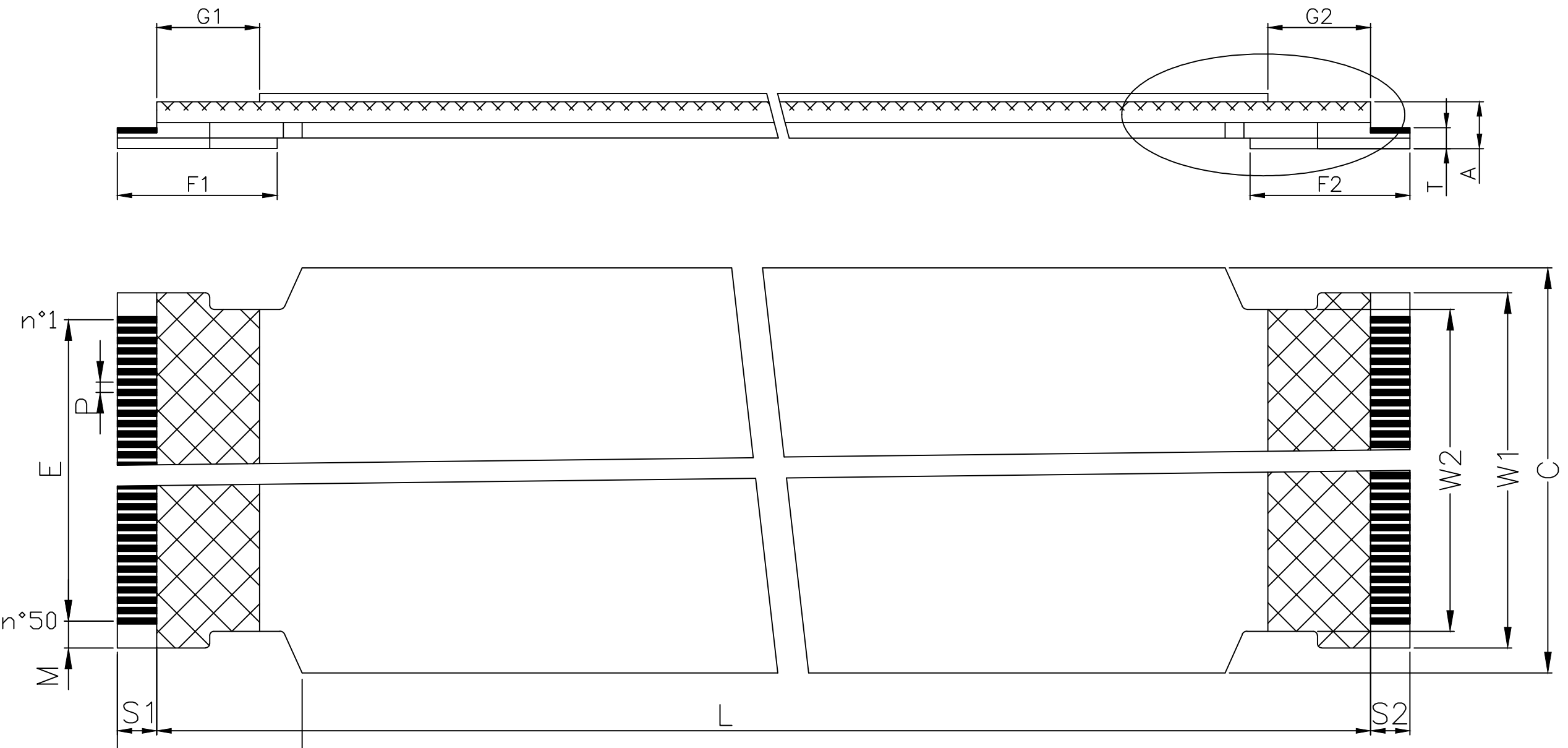
Contact us

Tel: +86-755-8981 8866 Fax: +86-755-8427 6832

Email & Skype: info@chipsmall.com Web: www.chipsmall.com

Address: A1208, Overseas Decoration Building, #122 Zhenhua RD., Futian, Shenzhen, China





Grounding area

PART NO.	CKTS	LENGTH
15022-0250	50	2"
15022-0450	50	4"
15022-0650	50	6"
15022-0850	50	8"
15022-1050	50	10"
15022-1250	50	12"
15022-2450	50	24"

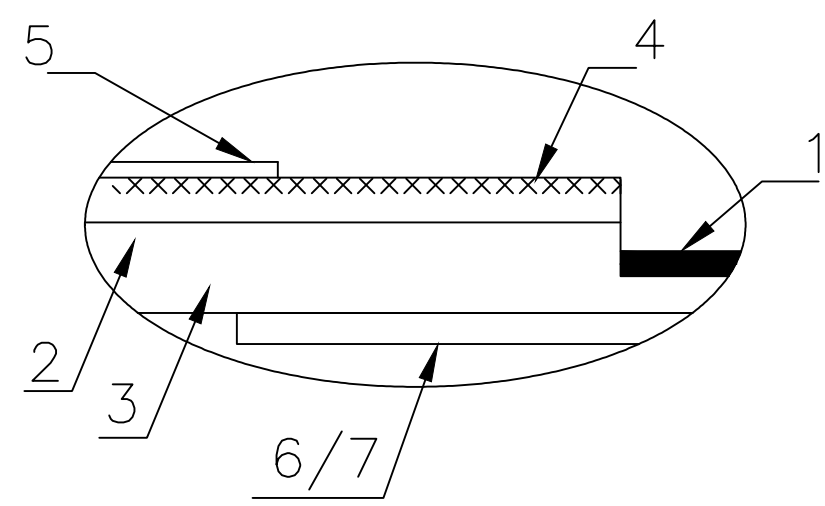
**CABLE ENDS COMPATIBLE WITH MOLEX 501786 & 501864 CONNECTORS.
USE WITH PLUG JACKET AND COVER.**

DIMENSIONS:

ITEMS	MARK	NOMINAL	MINIMUM	MAXIMUM
Number of conductors		50	50	50
Pitch	[mm] P	0.50 ± 0.05	0.45	0.55
Span	[mm] E	24.50 ± 0.06	24.44	24.56
Total width cable body	[mm] C	29.5 ± 0.2	29.3	29.7
Punched total width	[mm] W1	27.10 ± 0.04	27.06	27.14
Punched width	[mm] W2	25.5 ± 0.05	25.45	25.55
Margin notched	[mm] M	1.30 ± 0.06	1.24	1.36
End thickness	[mm] T	0.30 ± 0.03	0.27	0.33
Thickness grounding area	[mm] A	0.50 ± 0.05	0.45	0.55
Reinforcement length	[mm] F1,F2	7.7 ± 1.5	6.2	9.2
Strip length	[mm] S1,S2	1.9 ± 0.5	1.4	2.4
Grounding length	[mm] G1,G2	6 ± 2	4	8

COMPOSITION:

Item	COMPONENTS	UNITS	SPECIFICATIONS
1	Conductor		
	Material	-	Gold plated contacts (0.3µm Ni/0.05µm Au min)
	Width	mm	0.23 mm nominal
2	Insulation tape		
	Material	-	Polyester+flame retardant adhesive insulation
3	Insulation tape		
	Material	-	Polyester+flame retardant adhesive insulation
4	Aluminum tape		
	Material	-	Polyester/Aluminium/Adhesive
5	Insulation tape		
	Material	-	Polyester + FR adhesive insulation
6,7	Reinforcement Tape		
	Material	-	Blue Polyester



DIMENSIONAL TOLERANCES		DIMENSIONAL TOLERANCES	
45 mm TO 60 mm	±2 mm	1.772 TO 2.400	±0.079
61 mm TO 100 mm	±3 mm	2.401 TO 3.975	±0.119
101 mm TO 200 mm	±4 mm	3.976 TO 7.912	±0.157
201 mm TO 1500 mm	±5 mm	7.913 TO 59.055	±0.197

CHARACTERISTICS

ITEMS	VALUE	TEST METHOD
Resistance of conductor at 20°C	1950 Ohm/km maxi	-
Insulation resistance (Conductor to conductor)	10 MOhm.m mini	200 V DC
Dielectric test (Conductor to conductor)	1 minute	200 V AC
Temperature rating	-40°C to 80°C	UL2896
Voltage rating	30 V AC maxi	
Flame resistance	VW-1	UL758
Differential impedance	100 Ω ± 10 Ω	-
Speed L: 2"-10"	5-10 Gigabits/sec	-
Speed L: 12"-24"	2-5 Gigabits/sec	-

INITIAL RELEASE EC NO: USW2016-0198 DRWN: MD 2016/02/24	QUALITY SYMBOL ▽=0 ▽C=0	GENERAL TOLERANCES (UNLESS SPECIFIED) mm INCH 4 PLACES ±--- ±--- 3 PLACES ±--- ±--- 2 PLACES ±--- ±--- 1 PLACE ±--- ±---	DIMENSION STYLE INCH [MM] DRAWN BY DATE MDIGGIKA 2016/02/25 CHECKED BY DATE --- APPROVED BY DATE ---	SCALE NONE DESIGN UNITS METRIC THIRD ANGLE PROJECTION	TITLE LVDS CKTS 50	
	DRAFT WHERE APPLICABLE MUST REMAIN WITHIN DIMENSIONS		MATERIAL NO. SEE CHART	Molex MOLEX INCORPORATED	SHEET NO. 1 OF 1	
	THIS DRAWING CONTAINS INFORMATION THAT IS PROPRIETARY TO MOLEX INCORPORATED AND SHOULD NOT BE USED WITHOUT WRITTEN PERMISSION					
	DOCUMENT NO. SD-15022-050					