



Chipsmall Limited consists of a professional team with an average of over 10 year of expertise in the distribution of electronic components. Based in Hongkong, we have already established firm and mutual-benefit business relationships with customers from,Europe,America and south Asia,supplying obsolete and hard-to-find components to meet their specific needs.

With the principle of “Quality Parts,Customers Priority,Honest Operation,and Considerate Service”,our business mainly focus on the distribution of electronic components. Line cards we deal with include Microchip,ALPS,ROHM,Xilinx,Pulse,ON,Everlight and Freescale. Main products comprise IC,Modules,Potentiometer,IC Socket,Relay,Connector.Our parts cover such applications as commercial,industrial, and automotives areas.

We are looking forward to setting up business relationship with you and hope to provide you with the best service and solution. Let us make a better world for our industry!



Contact us

Tel: +86-755-8981 8866 Fax: +86-755-8427 6832

Email & Skype: info@chipsmall.com Web: www.chipsmall.com

Address: A1208, Overseas Decoration Building, #122 Zhenhua RD., Futian, Shenzhen, China



REVISIONS				
EC NO	DATE	REV	DESCRIPTION	CHANGER
	2016.07.26	A	INITIAL RELEASE.	DICK

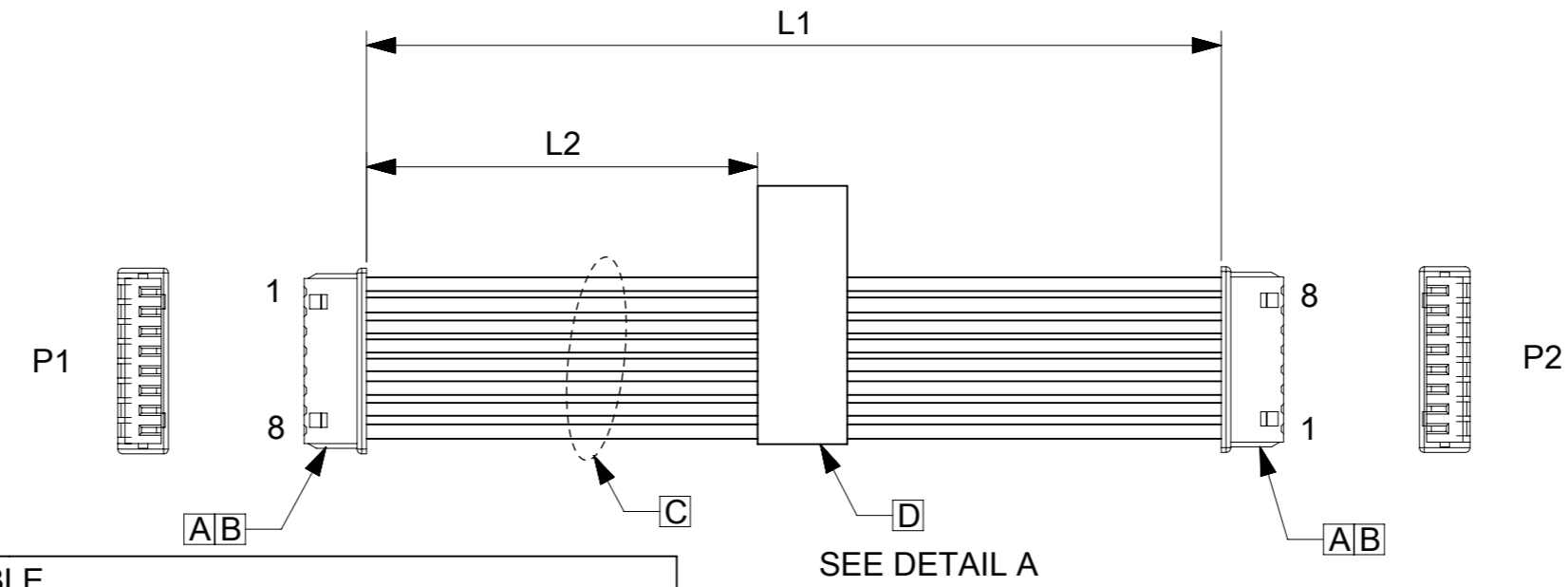
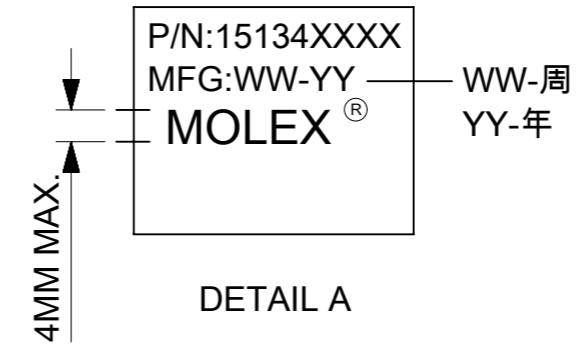


TABLE			
PART NUMBER	L1	L2	TITLE
151340800	50±6	20±5	Picoblade 8 Circuit 50MM
151340801	100±6	45±5	Picoblade 8 Circuit 100MM
151340802	150±8	70±5	Picoblade 8 Circuit 150MM
151340803	300±10	145±10	Picoblade 8 Circuit 300MM
151340805	450±10	220±10	Picoblade 8 Circuit 450MM
151340806	600±10	295±10	Picoblade 8 Circuit 600MM



- NOTES**
1. THIS PRODUCT MUST MEET 2011/65/EU ROHS COMPLIANCE.
此产品需符合 2011/65/EU ROHS环保要求.
 2. ELECTRICAL PERFORMANCE REFER TO ES-000.
电气特性参考ES-000.
 3. LABEL TEXT MUST BE 2mm MAX. IN HEIGHT WITH ARIAL FONT.
标签字高最大2mm,字体ARIAL.
 4. STICK UL LABEL ON THE OUTSIDE CARTON.
外箱上贴UL标签.

WIRING CHART		
P1	P2	COLOR
1	8	BLACK
2	7	BLACK
3	6	BLACK
4	5	BLACK
5	4	BLACK
6	3	BLACK
7	2	BLACK
8	1	BLACK

ITEM	DESCRIPTION	L(MM)	Q'TY
D	Blank label 12.7x35.5mm (WHT:12.7mm) HF		1
C	UL&CSA 1061/#28 STR BLK	A/R	
B	1.25MM CRIMP REC TERMINAL		16
A	8CKT RECEPTACLE HOUSING		2

QUALITY SYMBOLS 	THIS DRAWING CONTAINS INFORMATION THAT IS PROPRIETARY TO MOLEX ELECTRONIC TECHNOLOGIES, LLC AND SHOULD NOT BE USED WITHOUT WRITTEN PERMISSION		DIMENSION UNITS: MM SCALE: NTS			
	GENERAL TOLERANCES (UNLESS SPECIFIED) ANGULAR TOL ± °		DRWN BY: WLXIE DATE: 2016/07/11			SEE TABLE
	4 PLACES ± 3 PLACES ± 2 PLACES ± 1 PLACE ± 0 PLACES ±		CHK'D BY: DHUANG16 DATE: 2016/07/24			
	DRAFT WHERE APPLICABLE MUST REMAIN WITHIN DIMENSIONS		APPR BY: YXZOU DATE:			
EC NO: 106943 DRWN: WLXIE CHK'D: DHUANG16 REV APPR: YXZOU		DRAWING SIZE: A3 THIRD ANGLE PROJECTION		PRODUCT CUSTOMER DRAWING		
RELEASE STATUS: P1 RELEASE DATE: 28.07.2016 02:47:15		SERIES: 201234 MATERIAL NUMBER: SEE TABLE CUSTOMER: GENERAL MARKET		DOCUMENT NUMBER: 2012341360 DOC TYPE: PSD DOC PART: 000 SHEET NUMBER: 1 OF 1		