



Chipsmall Limited consists of a professional team with an average of over 10 year of expertise in the distribution of electronic components. Based in Hongkong, we have already established firm and mutual-benefit business relationships with customers from,Europe,America and south Asia,supplying obsolete and hard-to-find components to meet their specific needs.

With the principle of “Quality Parts,Customers Priority,Honest Operation,and Considerate Service”,our business mainly focus on the distribution of electronic components. Line cards we deal with include Microchip,ALPS,ROHM,Xilinx,Pulse,ON,Everlight and Freescale. Main products comprise IC,Modules,Potentiometer,IC Socket,Relay,Connector.Our parts cover such applications as commercial,industrial, and automotives areas.

We are looking forward to setting up business relationship with you and hope to provide you with the best service and solution. Let us make a better world for our industry!



Contact us

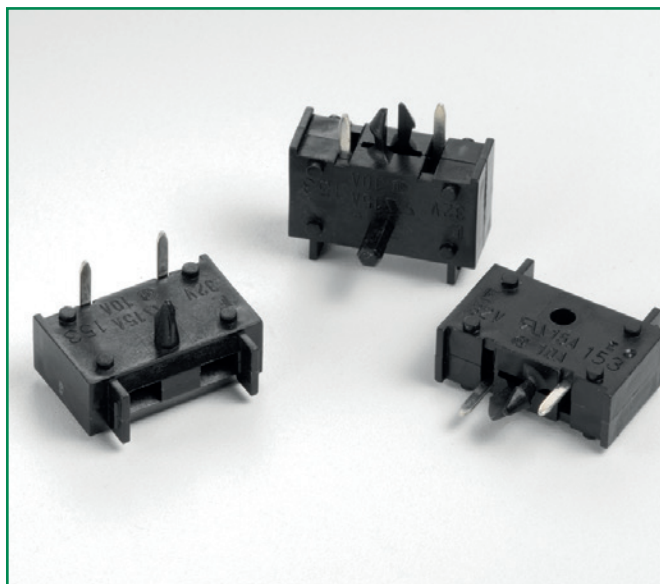
Tel: +86-755-8981 8866 Fax: +86-755-8427 6832

Email & Skype: info@chipsmall.com Web: www.chipsmall.com

Address: A1208, Overseas Decoration Building, #122 Zhenhua RD., Futian, Shenzhen, China



PCB MOUNT FUSE HOLDER FOR MINI® STYLE BLADE FUSE



Specifications

Max Voltage Rating:	32V
Max Current Rating:	UL: 20A UR: 15A CSA: 10A
Approvals:	UL Listed UL Recognized CSA Certified (File: 007316_0_000)
Body Material:	Thermoplastic UL 94-V0, heat-resistant
Clip Material:	Copper alloy, Tin-plated finish

Description

The MINI® Fuse PCB Fuse Holders bring the reliability and availability of the plug-in 32V MINI® Fuse to the circuit board. Vertical and horizontal mounting of units is offered. The Fuse Holder has “standoffs” to accommodate board washing and incorporates a unique “board lock” anchor to maintain a firm mechanical bond to the PCB.

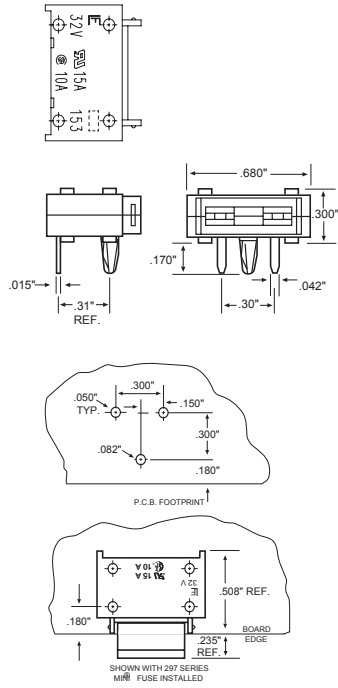
Dimensions on page 2

Ordering Information

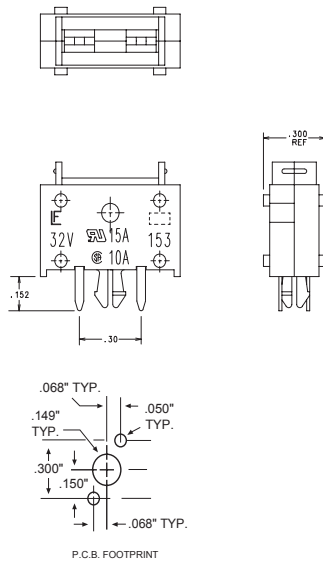
PART NUMBER	VOLTAGE	AMPERAGE			PACKAGE SIZE	DESCRIPTION
		UL	UR	CSA		
01530007LXN	32V		15A	10A	50	Horizontal Mount
01530007Z			15A	10A	500	
01530031Z		20A			500	
01530008LXN	32V		15A	10A	50	Single Vertical Mount (or End Unit)
01530008Z			15A	10A	500	
01530032Z		20A			500	
01530009LXN	32V		15A	10A	50	Stackable Vertical Mount
01530009Z			15A	10A	500	
01530033Z		20A			500	

PCB MOUNT FUSE HOLDER FOR MINI® STYLE BLADE FUSE

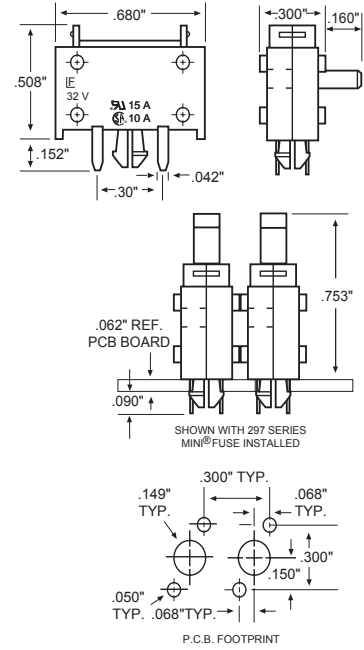
01530007_



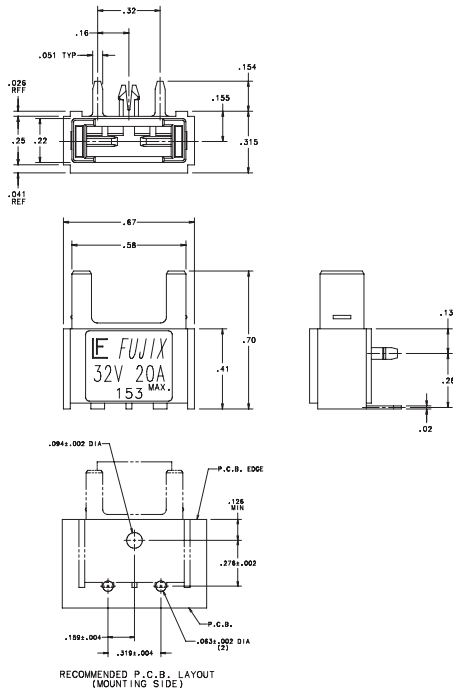
01530008_



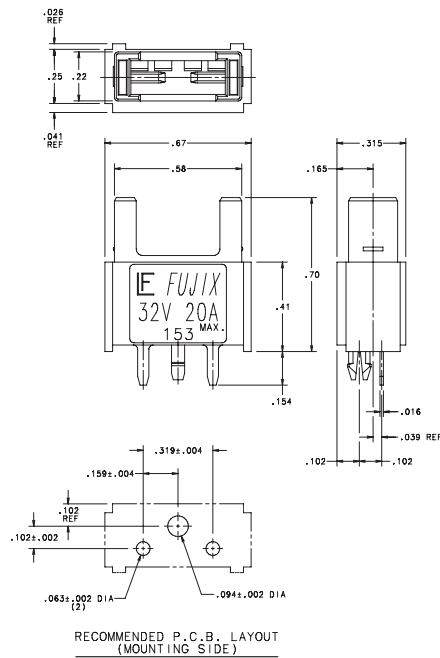
01530009_



01530031_



01530032_



01530033_

