



Chipsmall Limited consists of a professional team with an average of over 10 year of expertise in the distribution of electronic components. Based in Hongkong, we have already established firm and mutual-benefit business relationships with customers from,Europe,America and south Asia,supplying obsolete and hard-to-find components to meet their specific needs.

With the principle of “Quality Parts,Customers Priority,Honest Operation,and Considerate Service”,our business mainly focus on the distribution of electronic components. Line cards we deal with include Microchip,ALPS,ROHM,Xilinx,Pulse,ON,Everlight and Freescale. Main products comprise IC,Modules,Potentiometer,IC Socket,Relay,Connector.Our parts cover such applications as commercial,industrial, and automotives areas.

We are looking forward to setting up business relationship with you and hope to provide you with the best service and solution. Let us make a better world for our industry!



Contact us

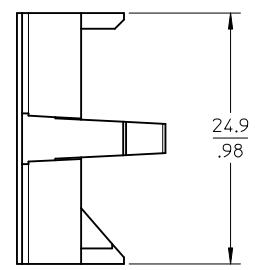
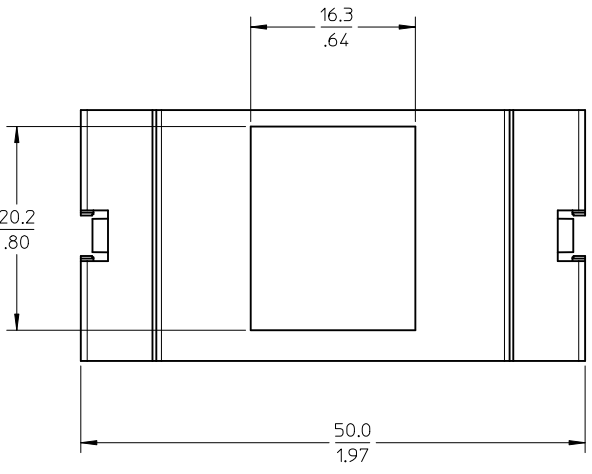
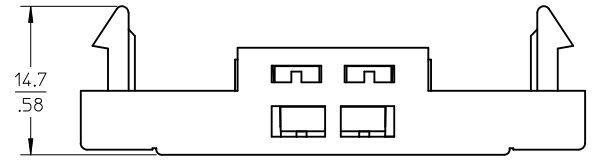
Tel: +86-755-8981 8866 Fax: +86-755-8427 6832

Email & Skype: info@chipsmall.com Web: www.chipsmall.com

Address: A1208, Overseas Decoration Building, #122 Zhenhua RD., Futian, Shenzhen, China

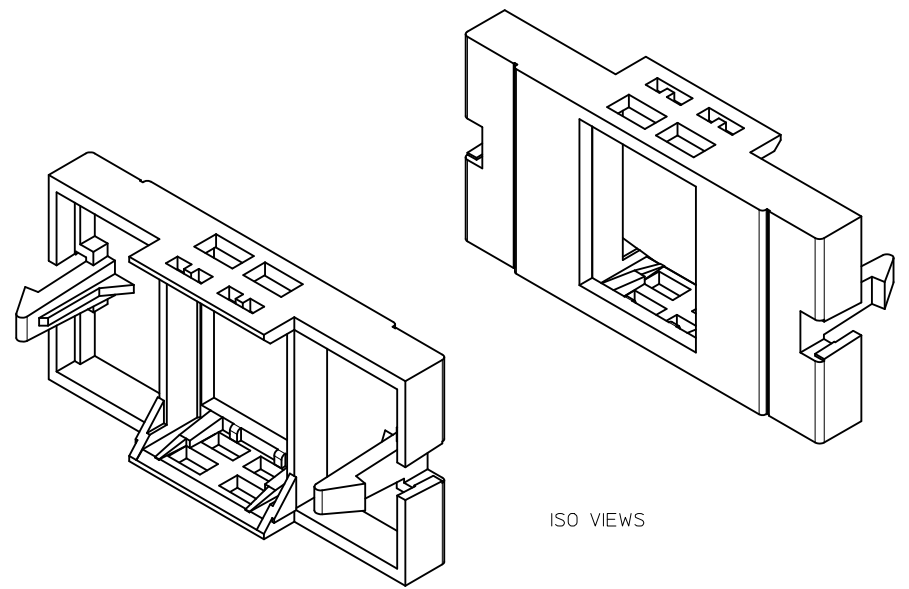


10 9 8 7 6 5 4 3 2 1



NOTES:

1. MATERIAL: POLYCARBONATE/ACRYLONITRILE-BUTADIENE-STYRENE (PC/ABS)
2. PACKAGING : 10 NUMBERS OF MODULES ARE PACKED IN A BAG.



ISO VIEWS

PART NUMBER CHART		
MPN NO.	SAP NO.	COLOR
MUS-00096-01	180070047	ALMOND
MUS-00096-02	180070048	WHITE
MUS-00096-04	180070049	BLACK
MUS-00096-08	180070050	GREY

ENTER DESCRIPTION EC NO: MT S2010-0170 DRWN:PS03 CHKD:JKUMAR APPR:JKUMAR	2010/06/01 2010/06/01 2010/06/16	DESCRIPTION REV	QUALITY SYMBOLS	GENERAL TOLERANCES (UNLESS SPECIFIED)	DIMENSION STYLE	SCALE	DESIGN UNITS	THIRD ANGLE PROJECTION		
			$\nabla=0$ $\sphericalangle=0$	mm INCH 4 PLACES ± --- ± --- 3 PLACES ± --- ± --- 2 PLACES ± --- ± .020 1 PLACE ± 0.51 ± --- ANGULAR ± ---°	MM/IN	2:1	METRIC	DRAWN BY: PS03 DATE: 2010/06/01 CHECKED BY: JKUMAR DATE: 2010/06/01 APPROVED BY: JKUMAR DATE: 2010/06/16	TITLE	US011 1U 1 PORT FASCIA - 10/BAG
			DRAFT WHERE APPLICABLE MUST REMAIN WITHIN DIMENSIONS	SEE CHART	MATERIAL NO.	DOCUMENT NO.	MOLEX INCORPORATED SD-18007-004		SHEET NO.	
					SIZE: A3	THIS DRAWING CONTAINS INFORMATION THAT IS PROPRIETARY TO MOLEX INCORPORATED AND SHOULD NOT BE USED WITHOUT WRITTEN PERMISSION		1 OF 1		

9 8 7 6 5 4 3 2 1