



Chipsmall Limited consists of a professional team with an average of over 10 year of expertise in the distribution of electronic components. Based in Hongkong, we have already established firm and mutual-benefit business relationships with customers from,Europe,America and south Asia,supplying obsolete and hard-to-find components to meet their specific needs.

With the principle of “Quality Parts,Customers Priority,Honest Operation,and Considerate Service”,our business mainly focus on the distribution of electronic components. Line cards we deal with include Microchip,ALPS,ROHM,Xilinx,Pulse,ON,Everlight and Freescale. Main products comprise IC,Modules,Potentiometer,IC Socket,Relay,Connector.Our parts cover such applications as commercial,industrial, and automotives areas.

We are looking forward to setting up business relationship with you and hope to provide you with the best service and solution. Let us make a better world for our industry!



## Contact us

Tel: +86-755-8981 8866 Fax: +86-755-8427 6832

Email & Skype: info@chipsmall.com Web: www.chipsmall.com

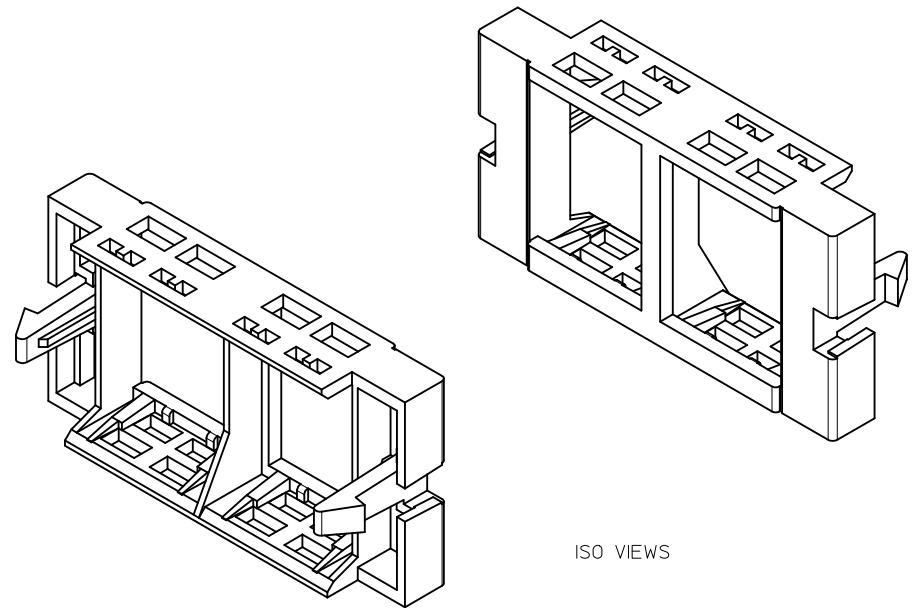
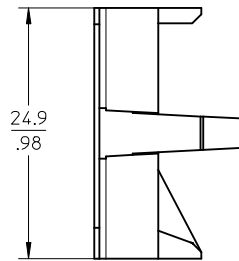
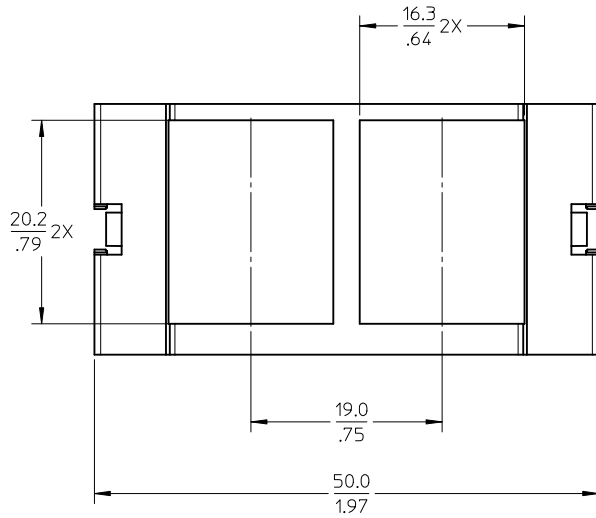
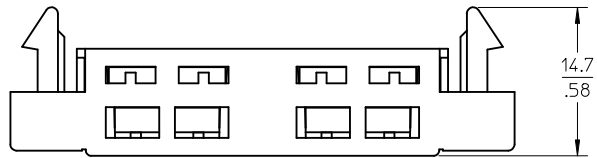
Address: A1208, Overseas Decoration Building, #122 Zhenhua RD., Futian, Shenzhen, China



10 9 8 7 6 5 4 3 2 1

NOTES:

1. MATERIAL: POLYCARBONATE/ACRYLONITRILE-BUTADIENE-STYRENE (PC/ABS)
2. PACKAGING : 10 NUMBERS OF MODULES ARE PACKED IN A BAG.



ISO VIEWS

PART NUMBER CHART		
MPN NO.	SAP NO.	COLOR
MUS-00097-01	180070051	ALMOND
MUS-00097-02	180070052	WHITE
MUS-00097-04	180070054	BLACK
MUS-00097-08	180070053	GREY

<b>ENTER DESCRIPTION</b> EC NO: MT S2010-0170 DRWN:PS03 CHKD:JKUMAR APPR:JKUMAR 2010/06/01 2010/06/01 2010/06/16	<b>QUALITY SYMBOLS</b> ▽=0 ◻=0	<b>GENERAL TOLERANCES (UNLESS SPECIFIED)</b>		<b>DIMENSION STYLE</b> MM/IN		SCALE 2:1	DESIGN UNITS METRIC	THIRD ANGLE PROJECTION	
		4 PLACES ± --- ± ---	3 PLACES ± --- ± ---	DRAWN BY PS03	DATE 2010/06/01	TITLE US011 1U 2 PORT FASCIA - 10/ BAG			
		2 PLACES ± --- ± .020	1 PLACE ± 0.51 ± ---	CHECKED BY JKUMAR	DATE 2010/06/01	APPROVED BY JKUMAR			
		ANGULAR ± ---°		DATE 2010/06/16		MATERIAL NO.		DOCUMENT NO.	SHEET NO.
DRAFT WHERE APPLICABLE MUST REMAIN WITHIN DIMENSIONS		SEE CHART		MOLEX INCORPORATED		SD-18007-005			
SIZE A3		THIS DRAWING CONTAINS INFORMATION THAT IS PROPRIETARY TO MOLEX INCORPORATED AND SHOULD NOT BE USED WITHOUT WRITTEN PERMISSION							

9 8 7 6 5 4 3 2 1