



Chipsmall Limited consists of a professional team with an average of over 10 year of expertise in the distribution of electronic components. Based in Hongkong, we have already established firm and mutual-benefit business relationships with customers from,Europe,America and south Asia,supplying obsolete and hard-to-find components to meet their specific needs.

With the principle of "Quality Parts,Customers Priority,Honest Operation,and Considerate Service",our business mainly focus on the distribution of electronic components. Line cards we deal with include Microchip,ALPS,ROHM,Xilinx,Pulse,ON,Everlight and Freescale. Main products comprise IC,Modules,Potentiometer,IC Socket,Relay,Connector.Our parts cover such applications as commercial,industrial, and automotives areas.

We are looking forward to setting up business relationship with you and hope to provide you with the best service and solution. Let us make a better world for our industry!



Contact us

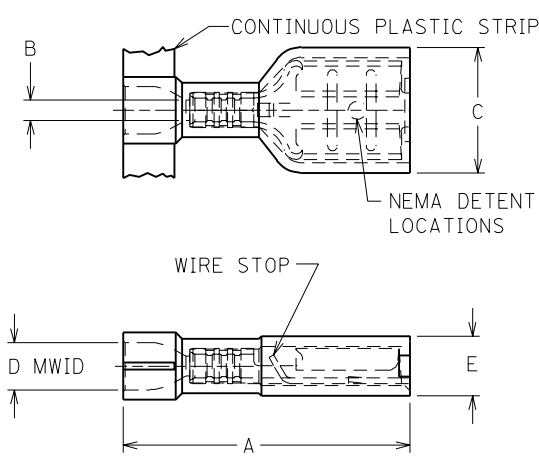
Tel: +86-755-8981 8866 Fax: +86-755-8427 6832

Email & Skype: info@chipsmall.com Web: www.chipsmall.com

Address: A1208, Overseas Decoration Building, #122 Zhenhua RD., Futian, Shenzhen, China



MOLEX-ETC PART NO.	INS. COLOR	WIRE RANGE AWG	FITS MALE TAB SIZE	STOCK THICK.	"A" MAX.	"B" MIN.	"C" MAX.	"D" MWID	"E" MAX.	CARRIER CONFIGURATION	INSULATION MATERIAL
M-2212	YELLOW	26-24	.250x.032	.016	.86	.030	.380	.075	.180	SEE NOTE 3	94V-2 6/6 NYLON
M-2210	YELLOW	26-24	.187x.020	.016	.78	.030	.316	.075	.160		
M-2211	YELLOW	26-24	.187x.032	.016	.78	.030	.316	.075	.160		
M-2213	YELLOW	26-24	.110x.020	.012	.78	.034	.230	.095	.150		
AA-2201	RED	22-18	.250x.032	.016	.86	.058	.380	.135	.180		
AA-2213	RED	22-18	.205x.020	.016	.78	.058	.316	.135	.160		
AA-2214	RED	22-18	.205x.032	.016	.78	.058	.316	.135	.160		
AA-2202	RED	22-18	.187x.020	.016	.78	.058	.316	.135	.160		
AA-2203	RED	22-18	.187x.032	.016	.78	.058	.316	.135	.160		
AA-2204	RED	22-18	.110x.020	.012	.78	.058	.230	.135	.150		
AA-2205	RED	22-18	.110x.032	.012	.78	.058	.230	.135	.150		
BB-2206	BLUE	16-14	.250x.032	.016	.86	.083	.380	.160	.180		
BB-2215	BLUE	16-14	.205x.020	.016	.78	.083	.316	.160	.170		
BB-2216	BLUE	16-14	.205x.032	.016	.78	.083	.316	.160	.170		
BB-2207	BLUE	16-14	.187x.020	.016	.78	.083	.316	.160	.170		
BB-2208	BLUE	16-14	.187x.032	.016	.78	.083	.316	.160	.170		
19606-0001	YELLOW	12-10	.250x.032	.018	1.04	.120	.380	.240	.220	PLASTIC STRIP	
19606-0002	YELLOW	12-10	.250x.032	.018	1.04	.120	.380	.240	.220	LOOSE PIECE	
19606-0003	YELLOW	12-10	.250x.032	.018	1.04	.120	.380	.240	.220	TAPE MOUNT	
AA-2201VN	NATURAL	22-18	.250x.032	.016	.86	.058	.380	.135	.180	SEE NOTE 3	94V-0 6/6 NYLON
BB-2206VB	BLACK	16-14	.250x.032	.016	.86	.083	.380	.160	.180		
C-2265VN	NATURAL	12-10	.250x.032	.018	1.04	.145	.380	.275	.290		



- MATERIAL: TERMINAL: BRASS
PLATING: ELECTRO-TIN
FERRULE: BRASS
PLATING: ELECTRO-TIN
INSULATION: NYLON 6/6 SEE CHART
COLOR: SEE CHART
- MWID = MAXIMUM WIRE INSULATION DIAMETER
- FOR CONTINUOUS PLASTIC STRIP ADD "C" TO PART NUMBER. FOR TAPE MOUNT ADD "T".

B	ADD NEW PART NUMBERS ET90049 2/5 HEB
A	ADD NEW PART NUMBERS ET80431 8/28 HEB
LTR.	REVISIONS

CUSTOMER DRAWING

DIMENSIONS SHOWN (METRIC) INCH UNLESS OTHERWISE SPECIFIED TOLERANCES: ANGULAR ± 1/2°		REVISE ONLY ON CAD SYSTEM													
<table border="1"> <thead> <tr> <th></th> <th>INCH</th> <th>METRIC</th> </tr> </thead> <tbody> <tr> <td>3 PLACE</td> <td>± .005</td> <td>± ---</td> </tr> <tr> <td>2 PLACE</td> <td>± .01</td> <td>± 0.13</td> </tr> <tr> <td>1 PLACE</td> <td>± ---</td> <td>± 0.25</td> </tr> </tbody> </table>			INCH	METRIC	3 PLACE	± .005	± ---	2 PLACE	± .01	± 0.13	1 PLACE	± ---	± 0.25	TITLE INSULKRIMP FEMALE F.I.O.D. STANDARD FLARE	
	INCH	METRIC													
3 PLACE	± .005	± ---													
2 PLACE	± .01	± 0.13													
1 PLACE	± ---	± 0.25													
DRAFT WHERE APPLICABLE MUST REMAIN WITHIN DIMENSIONS		SHEET NO. DATE 06/17/94													
DRWG. BY RCM APP'D. BY FP		PART NO. SEE CHART FILE NAME CD2905 CST THIS DRAWING CONTAINS INFORMATION THAT IS PROPRIETARY TO MOLEX-ETC INC. AND SHOULD NOT BE USED WITHOUT WRITTEN PERMISSION.													
CHK'D. BY JM SCALE NO:NE		DRWG. NO. CD-2905 DIV. ET SIZE B													