



Chipsmall Limited consists of a professional team with an average of over 10 year of expertise in the distribution of electronic components. Based in Hongkong, we have already established firm and mutual-benefit business relationships with customers from,Europe,America and south Asia,supplying obsolete and hard-to-find components to meet their specific needs.

With the principle of “Quality Parts,Customers Priority,Honest Operation,and Considerate Service”,our business mainly focus on the distribution of electronic components. Line cards we deal with include Microchip,ALPS,ROHM,Xilinx,Pulse,ON,Everlight and Freescale. Main products comprise IC,Modules,Potentiometer,IC Socket,Relay,Connector.Our parts cover such applications as commercial,industrial, and automotives areas.

We are looking forward to setting up business relationship with you and hope to provide you with the best service and solution. Let us make a better world for our industry!



## Contact us

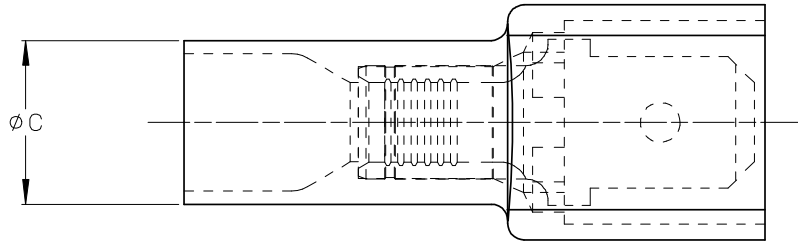
Tel: +86-755-8981 8866 Fax: +86-755-8427 6832

Email & Skype: info@chipsmall.com Web: www.chipsmall.com

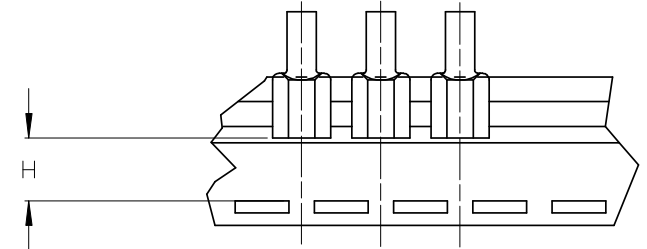
Address: A1208, Overseas Decoration Building, #122 Zhenhua RD., Futian, Shenzhen, China



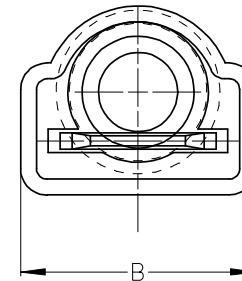
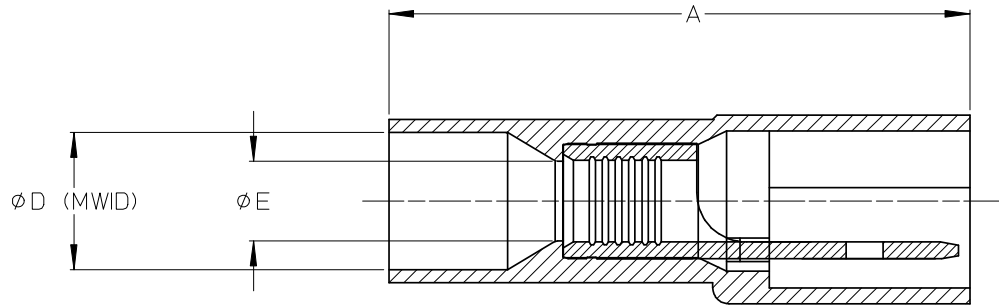
| ASSEMBLY NUMBER |                    | TAPE NUMBER     |                  | ITEM DESCRIPTION |                                       |                           | DIMENSIONS |          |         |           |           |          |
|-----------------|--------------------|-----------------|------------------|------------------|---------------------------------------|---------------------------|------------|----------|---------|-----------|-----------|----------|
| MATERIAL NUMBER | ENGINEERING NUMBER | MATERIAL NUMBER | TAPE ENG. NUMBER | COLOR            | WIRE GAUGE                            | TAB SIZE                  | 'A' MAX    | 'B' MAX  | 'C' MAX | 'D' MIN   | 'E' MIN   | 'H' REF  |
| 190040009       | C-2264             | 190040012       | C-2264T          | YELLOW           | 12-10 AWG (3.09-5.01mm <sup>2</sup> ) | .250 X .032 (6.35 X 0.81) | 1.12/28.4  | .46/11.7 | .34/8.6 | .275/6.99 | .145/3.68 | .42/10.7 |



(B) SINGLE SPACED,  
CENTER TO CENTER



TAPE MOUNTING DETAIL



(B) NOTES:

1. TERMINAL MATERIAL: BRASS
2. TERMINAL PLATING: ZINC CHROMATE
3. HOUSING: 6/6 NYLON
4. MWID: MAXIMUM WIRE INSULATION DIAMETER
5. TAB DIMENSIONS CONFORM TO UL310 SPECIFICATIONS.
6. ASSEMBLY IS ROHS COMPLIANT

REDRAW, MATERIALS  
 EC NO: ETC2007-0081  
 DRAWN:EHILE 2008/01/28  
 CHKD:MACNEIL 2008/01/28  
 APPR:MACNEIL 2008/02/13  
 B  
 REV DESCRIPTION

QUALITY SYMBOLS  
 ▼=0  
 ▽=0

| GENERAL TOLERANCES (UNLESS SPECIFIED)                |      |
|--|------|
|  | mm   |
| 4 PLACES   | ±--- |
| 3 PLACES   | ±--- |
| 2 PLACES   | ±--- |
| 1 PLACE  | ±--- |
| ANGULAR ±---°  |      |
| DRAFT WHERE APPLICABLE MUST REMAIN WITHIN DIMENSIONS |      |

| DIMENSION STYLE |            |
|-----------------|------------|
| IN/MM (B)       |            |
| DRAWN BY        | DATE       |
| EMF             | 1993/06/25 |
| CHECKED BY      | DATE       |
| APPROVED BY     | DATE       |
| MATERIAL NO.    | SEE CHART  |
| SIZE            | B          |

| SCALE   | DESIGN UNITS | THIRD ANGLE PROJECTION |
|---|--------------|------------------------|
| 4:1   | INCH         | ☉                      |
| TITLE   |              |                        |
| FULLY INSULATED MALE COUPLER, INSULKRIMP 12-10  |              |                        |
| molex MOLEX INCORPORATED  |              |                        |
| DOCUMENT NO.  | SD-19004-002 | SHEET NO.              |
|   |              | 1 OF 1                 |
| THIS DRAWING CONTAINS INFORMATION THAT IS PROPRIETARY TO MOLEX INCORPORATED AND SHOULD NOT BE USED WITHOUT WRITTEN PERMISSION |              |                        |