

Chipsmall Limited consists of a professional team with an average of over 10 year of expertise in the distribution of electronic components. Based in Hongkong, we have already established firm and mutual-benefit business relationships with customers from,Europe,America and south Asia,supplying obsolete and hard-to-find components to meet their specific needs.

With the principle of “Quality Parts,Customers Priority,Honest Operation,and Considerate Service”,our business mainly focus on the distribution of electronic components. Line cards we deal with include Microchip,ALPS,ROHM,Xilinx,Pulse,ON,Everlight and Freescale. Main products comprise IC,Modules,Potentiometer,IC Socket,Relay,Connector.Our parts cover such applications as commercial,industrial, and automotives areas.

We are looking forward to setting up business relationship with you and hope to provide you with the best service and solution. Let us make a better world for our industry!



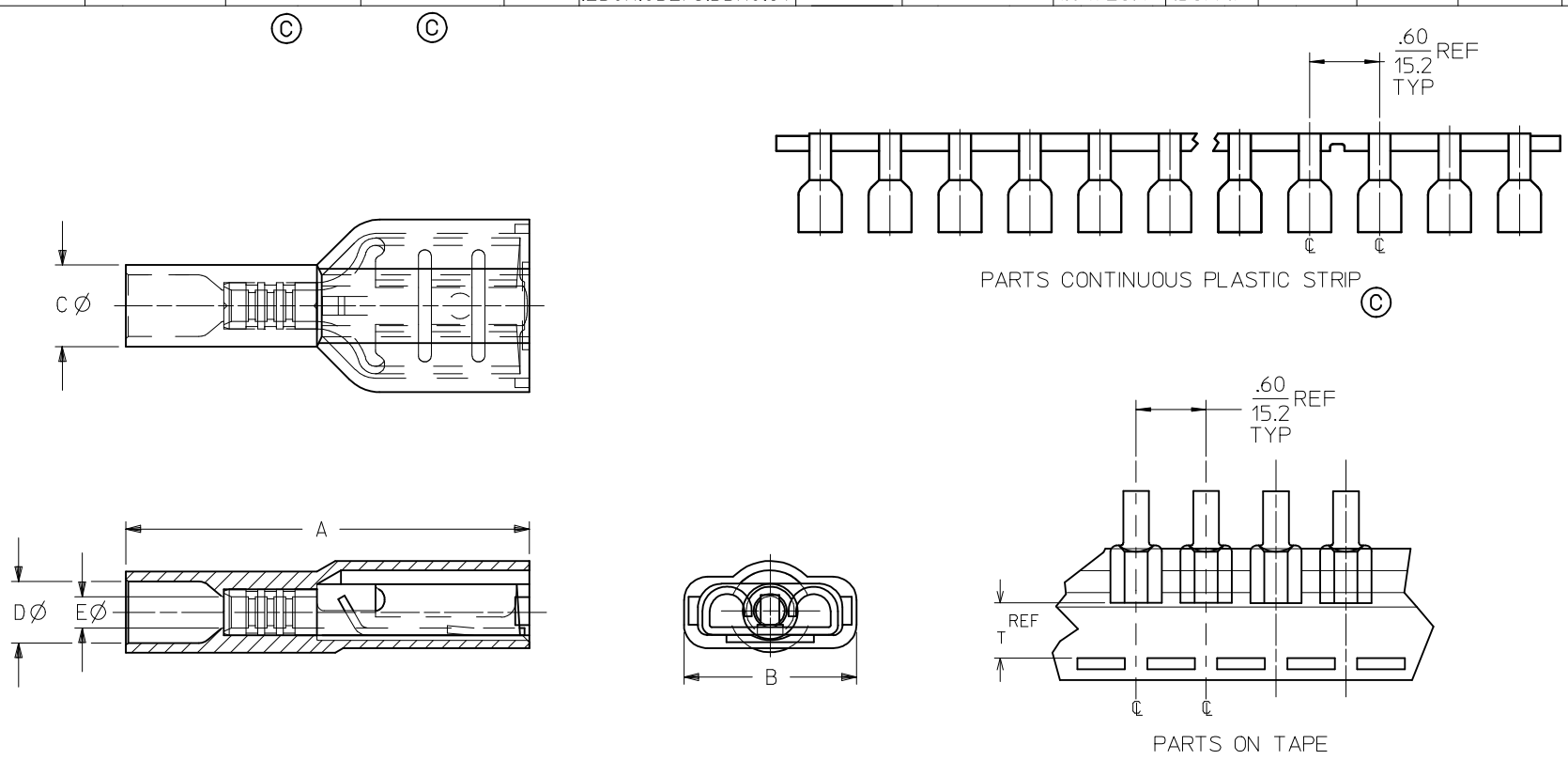
## Contact us

Tel: +86-755-8981 8866 Fax: +86-755-8427 6832

Email & Skype: [info@chipsmall.com](mailto:info@chipsmall.com) Web: [www.chipsmall.com](http://www.chipsmall.com)

Address: A1208, Overseas Decoration Building, #122 Zhenhua RD., Futian, Shenzhen, China

| 10                          | 9                         | 8                          | 7                             | 6                                | 5                                   | 4              | 3                     | 2      | 19005             |           |         |         |         |         |          |
|-----------------------------|---------------------------|----------------------------|-------------------------------|----------------------------------|-------------------------------------|----------------|-----------------------|--------|-------------------|-----------|---------|---------|---------|---------|----------|
| MATERIAL NUMBER LOOSE PIECE | ENGRNG NUMBER LOOSE PIECE | MATERIAL NUMBER MYLAR TAPE | ENGINEERING NUMBER MYLAR TAPE | MATERIAL NUMBER CONTINUOUS STRIP | ENGINEERING NUMBER CONTINUOUS STRIP | WIRE RANGE AWG | ACCEPTS MALE TAB SIZE | COLOR  | STOCK THKNS (REF) | A MAX     | B MAX   | C MAX   | D MWID  | E MIN   | T REF    |
| 190050001                   | AA-2261                   | 190050004                  | AA-2261T                      | 190050003                        | AA-2261C                            | 22-18          | .250x.032/6.35x0.81   | RED    | .018/0.46         | .89/22.6  | .38/9.7 | .23/5.9 | .16/4.1 | .08/2.0 | .52/13.2 |
| 190050005                   | BB-2263                   | 190050009                  | BB-2263T                      | 190050008                        | BB-2263C                            | 16-14          | .250x.032/6.35x0.81   | BLUE   | .018/0.46         | .89/22.6  | .38/9.7 | .23/5.9 | .16/4.1 | .08/2.0 | .52/13.2 |
| 190050010                   | C-2265                    | 190050015                  | C-2265T                       | 190050014                        | C-2265C                             | 12-10          | .250x.032/6.35x0.81   | YELLOW | .018/0.46         | 1.04/26.4 | .38/9.7 | .34/8.7 | .27/6.8 | .14/3.5 | .51/13.0 |



- NOTES:
1. TERMINAL MATERIAL: BRASS
  2. TERMINAL FINISH: TIN PLATED
  3. INSULATION MATERIAL: MOLDED NYLON
  4. MWID = MAXIMUM WIRE INSULATION DIAMETER
  5. PARTS ARE ROHS COMPLIANT.

| <b>ADD CONTINUOUS STRIP</b><br>EC NO: IPG2014-1666<br>DRAWING: GROJAS01 2014/04/03<br>CHKD: JMACNEIL<br>APPR: JMACNEIL 2014/04/21<br>REV: | QUALITY SYMBOLS            | GENERAL TOLERANCES (UNLESS SPECIFIED)   | DIMENSION STYLE | SCALE   | DESIGN UNITS | THIRD ANGLE PROJECTION |      |      |          |      |      |          |      |      |         |      |      |               |  |  |       |     |      |  |
|---|----------------------------|---|-----------------|---|--------------|------------------------|------|------|----------|------|------|----------|------|------|---------|------|------|---------------|--|--|-------|-----|------|--|
|   | $\nabla=0$<br>$\nabla E=0$ | <table border="1"> <thead> <tr> <th></th> <th>mm</th> <th>INCH</th> </tr> </thead> <tbody> <tr> <td>4 PLACES</td> <td>±---</td> <td>±---</td> </tr> <tr> <td>3 PLACES</td> <td>±---</td> <td>±---</td> </tr> <tr> <td>2 PLACES</td> <td>±---</td> <td>±---</td> </tr> <tr> <td>1 PLACE</td> <td>±---</td> <td>±---</td> </tr> <tr> <td colspan="3">ANGULAR ±---°</td> </tr> </tbody> </table> |                 | mm  | INCH         | 4 PLACES               | ±--- | ±--- | 3 PLACES | ±--- | ±--- | 2 PLACES | ±--- | ±--- | 1 PLACE | ±--- | ±--- | ANGULAR ±---° |  |  | IN/MM | --- | INCH |  |
|   |                            | mm  | INCH            |   |              |                        |      |      |          |      |      |          |      |      |         |      |      |               |  |  |       |     |      |  |
|   | 4 PLACES                   | ±---  | ±---            |   |              |                        |      |      |          |      |      |          |      |      |         |      |      |               |  |  |       |     |      |  |
|   | 3 PLACES                   | ±---  | ±---            |   |              |                        |      |      |          |      |      |          |      |      |         |      |      |               |  |  |       |     |      |  |
| 2 PLACES  | ±---                       | ±---  |                 |   |              |                        |      |      |          |      |      |          |      |      |         |      |      |               |  |  |       |     |      |  |
| 1 PLACE   | ±---                       | ±---  |                 |   |              |                        |      |      |          |      |      |          |      |      |         |      |      |               |  |  |       |     |      |  |
| ANGULAR ±---°   |                            |   |                 |   |              |                        |      |      |          |      |      |          |      |      |         |      |      |               |  |  |       |     |      |  |
|   | DRAWN BY                   | DATE  | TITLE           | <b>FULLY INSULATED FEMALE COUPLER</b><br><br><b>MOLEX INCORPORATED</b>  |              |                        |      |      |          |      |      |          |      |      |         |      |      |               |  |  |       |     |      |  |
|   | EMF                        | 1993/06/25  |                 |   |              |                        |      |      |          |      |      |          |      |      |         |      |      |               |  |  |       |     |      |  |
|   | CHECKED BY                 | DATE  |                 | DOCUMENT NO.  | SHEET NO.    |                        |      |      |          |      |      |          |      |      |         |      |      |               |  |  |       |     |      |  |
|   | JMACNEIL                   | 2010/03/19  |                 | SD-19005-001  | 1 OF 1       |                        |      |      |          |      |      |          |      |      |         |      |      |               |  |  |       |     |      |  |
|   | MATERIAL NO.               | SEE CHART   |                 | THIS DRAWING CONTAINS INFORMATION THAT IS PROPRIETARY TO MOLEX INCORPORATED AND SHOULD NOT BE USED WITHOUT WRITTEN PERMISSION |              |                        |      |      |          |      |      |          |      |      |         |      |      |               |  |  |       |     |      |  |