



Chipsmall Limited consists of a professional team with an average of over 10 year of expertise in the distribution of electronic components. Based in Hongkong, we have already established firm and mutual-benefit business relationships with customers from,Europe,America and south Asia,supplying obsolete and hard-to-find components to meet their specific needs.

With the principle of "Quality Parts,Customers Priority,Honest Operation,and Considerate Service",our business mainly focus on the distribution of electronic components. Line cards we deal with include Microchip,ALPS,ROHM,Xilinx,Pulse,ON,Everlight and Freescale. Main products comprise IC,Modules,Potentiometer,IC Socket,Relay,Connector.Our parts cover such applications as commercial,industrial, and automotives areas.

We are looking forward to setting up business relationship with you and hope to provide you with the best service and solution. Let us make a better world for our industry!



Contact us

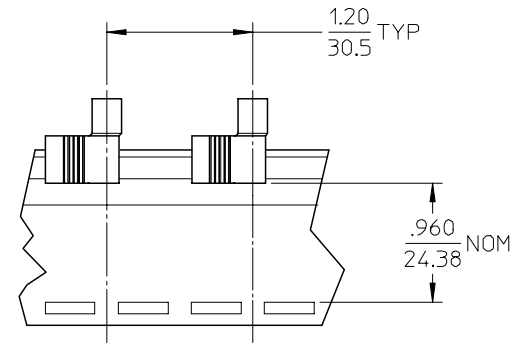
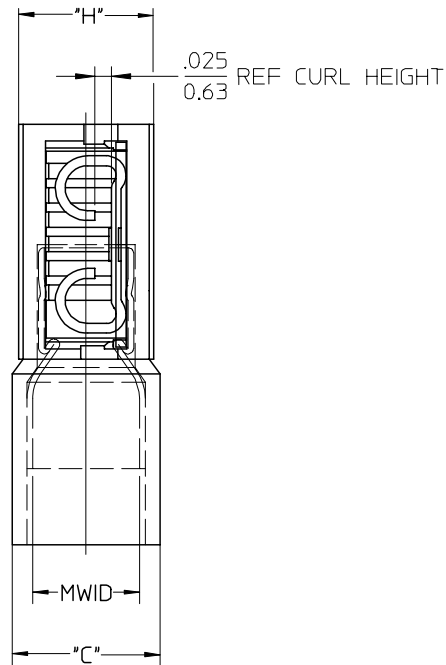
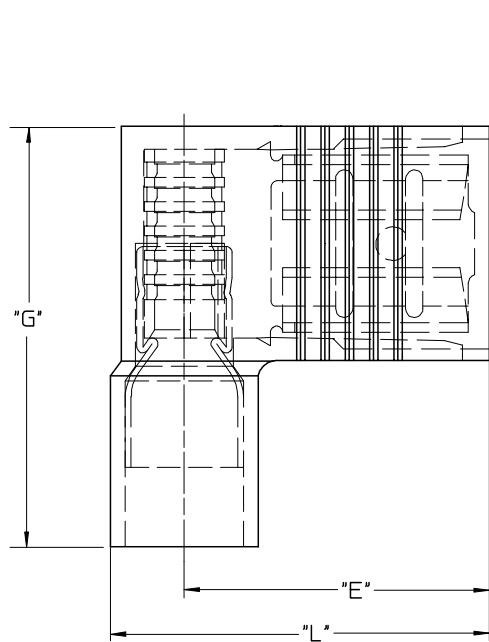
Tel: +86-755-8981 8866 Fax: +86-755-8427 6832

Email & Skype: info@chipsmall.com Web: www.chipsmall.com

Address: A1208, Overseas Decoration Building, #122 Zhenhua RD., Futian, Shenzhen, China



MATERIAL NO.	ENG. NO.	MATERIAL NO. TAPE MOUNTED	ENG. NO. TAPE MOUNTED	MATERIAL NO. STRIP MOUNTED	ENG. NO. STRIP MOUNTED	AWG	COLOR	MWID	"L" ±.015/.381	"E" ±.015/.381	"C" DIA ±.015/.381	"G" ±.015/.381	"H" ±.015/.381
190060001	AA-5220	190060003	AA-5220T	190060004	AA-5220Z	22-18	RED	.150/3.81	.620/15.75	.512/13.00	.222/5.64	.690/17.53	.196/4.98
190060011	BB-5221	190060013	BB-5221T	190060014	BB-5221Z	16-14	BLUE	.170/4.32	.500/12.70	.242/6.15	.690/17.53	.196/4.98	
190060019	C-5211	190060020	C-5211T	190060070	C-5211Z	12-10	YELLOW	.245/6.22	.667/16.94	.511/12.98	.311/7.90	.677/17.20	.246/6.25



SALES DRAWING

NOTES:

1. MATERIAL: BRASS.
PLATING: ELECTROPLATE TIN.
2. INSULATION: NYLON.
3. MWID=MAXIMUM WIRE INSULATION DIA.
4. ALL DIMENSIONS IN INCHES (MM).

EC NO: ETC2004-0126 DRWN:DMYRICK 2004/01/06 CHKD:SBEITZEL 2004/01/06 APPR:RDEROSS 2004/01/07	QUALITY SYMBOLS ▽ = 0 ▽ = 0	GENERAL TOLERANCES (UNLESS SPECIFIED)		SCALE NTS	DESIGN UNITS INCH	THIRD ANGLE PROJECTION	REVISE ON CAD ONLY
		4 PLACES ± --- ± ---	3 PLACES ± --- ± .005	DIMENSION STYLE IN/MM		TITLE AVIKRIMP FLAG FULLY INSULATED .250 TAB WIDTH	
B	DESCRIPTION	2 PLACES ± 0.13 ± .01	1 PLACE ± 0.25 ± ---	DRAWN BY DMYRICK	DATE 03/12/26	MOLEX INCORPORATED	
		ANGULAR ± 1/2°		CHECKED BY SBEITZEL	DATE 03/12/26	MATERIAL NO. (SEE CHART)	DOCUMENT NO. SD-19006-001
DRAFT WHERE APPLICABLE		MUST REMAIN WITHIN DIMENSIONS		APPROVED BY RDEROSS	DATE 03/12/26	SHEET NO. 1 OF 1	B
THIS DRAWING CONTAINS INFORMATION THAT IS PROPRIETARY TO MOLEX INCORPORATED AND SHOULD NOT BE USED WITHOUT WRITTEN PERMISSION							