



Chipsmall Limited consists of a professional team with an average of over 10 year of expertise in the distribution of electronic components. Based in Hongkong, we have already established firm and mutual-benefit business relationships with customers from,Europe,America and south Asia,supplying obsolete and hard-to-find components to meet their specific needs.

With the principle of “Quality Parts,Customers Priority,Honest Operation,and Considerate Service”,our business mainly focus on the distribution of electronic components. Line cards we deal with include Microchip,ALPS,ROHM,Xilinx,Pulse,ON,Everlight and Freescale. Main products comprise IC,Modules,Potentiometer,IC Socket,Relay,Connector.Our parts cover such applications as commercial,industrial, and automotives areas.

We are looking forward to setting up business relationship with you and hope to provide you with the best service and solution. Let us make a better world for our industry!



## Contact us

Tel: +86-755-8981 8866 Fax: +86-755-8427 6832

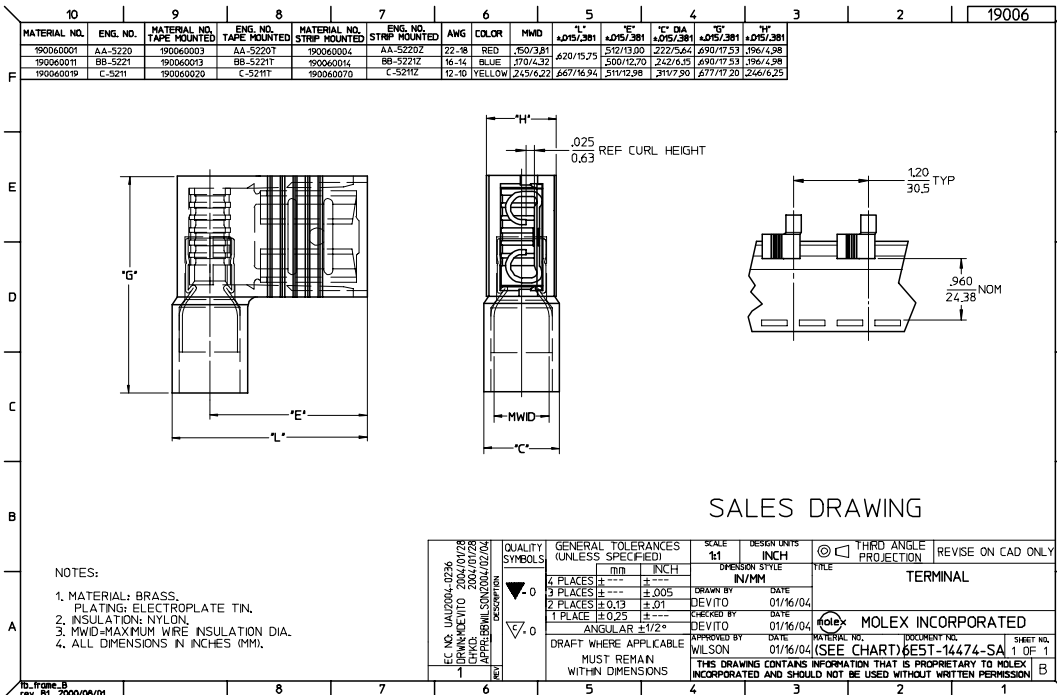
Email & Skype: info@chipsmall.com Web: www.chipsmall.com

Address: A1208, Overseas Decoration Building, #122 Zhenhua RD., Futian, Shenzhen, China



LTRS.		REVISIONS		
ORIGINATOR	CHECKER	ENGR APP	MATL APP	
-	RELEASED 6EST-14474-SA			
ARCHIVED DATE: AE00-E-11505652-025				
DEVITO	WILSON	PRICE		

FORD PART NUMBER	MOLEX PART NUMBER
6EST-14474-SA	19006-0004



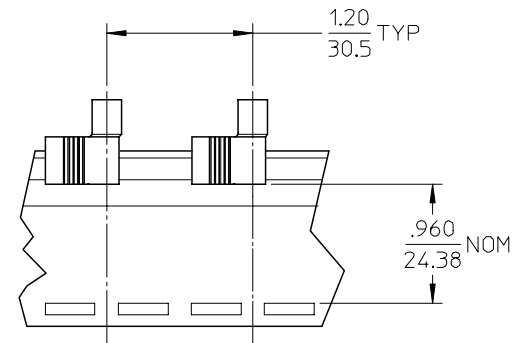
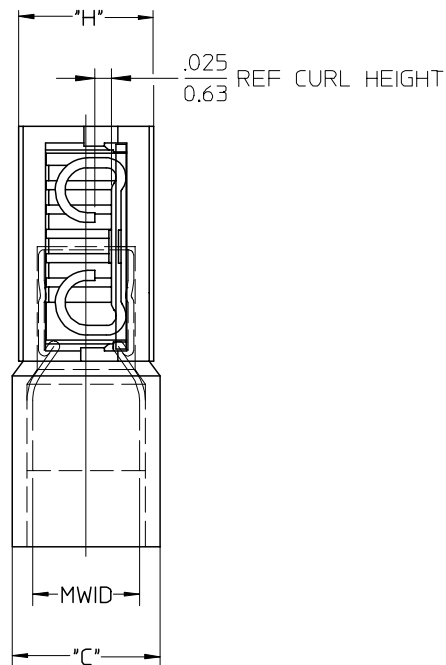
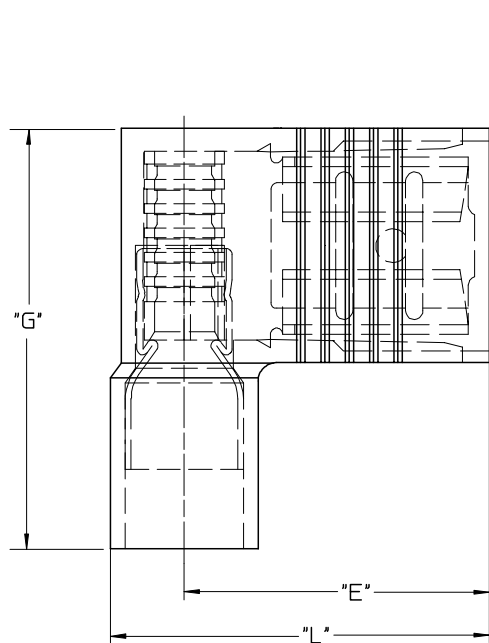
NOTES:

APPROVED FOR USE ONLY IN 'BLACK BOX' APPLICATIONS, WHICH ARE TO PASS SYSTEM LEVEL VALIDATION TESTING. CONNECTOR SDS EL-0173 NOT MET TERMINAL RETENTION FORCE AND TESTING SPECIFIC TO EVALUATE TERMINAL MUST BE PERFORMED AT SYSTEM-LEVEL.

REFERENCE	---
PART MUST COMPLY WITH MATERIAL SPECIFICATION NSS-MS8P9999-A1 TO HELP SAFEGUARD HEALTH, SAFETY AND THE ENVIRONMENT.	
DRAFTED IN ACCORDANCE WITH FAD ENGINEERING DRAFTING STANDARD CURRENT AT INITIAL RELEASE	3 RD ANGLE PROJ DIMENSIONS IN MILLIMETERS
CAD TYPE	CAD LOC. CAD FILE
OPER. NO.	UNIT DRAWING
DESIGN	DETAIL TITLE
DEVITO	---
CHECKED	SAFETY
BBWILSON	
SCALE	DATE DIVISION
1:1	2004/01/28 PLANT

DR SIZE A/D

MATERIAL NO.	ENG. NO.	MATERIAL NO. TAPE MOUNTED	ENG. NO. TAPE MOUNTED	MATERIAL NO. STRIP MOUNTED	ENG. NO. STRIP MOUNTED	AWG	COLOR	MWID	"L" ±.015/.381	"E" ±.015/.381	"C" DIA ±.015/.381	"G" ±.015/.381	"H" ±.015/.381
190060001	AA-5220	190060003	AA-5220T	190060004	AA-5220Z	22-18	RED	.150/3.81	.620/15.75	.512/13.00	.222/5.64	.690/17.53	.196/4.98
190060011	BB-5221	190060013	BB-5221T	190060014	BB-5221Z	16-14	BLUE	.170/4.32	.500/12.70	.242/6.15	.690/17.53	.196/4.98	
190060019	C-5211	190060020	C-5211T	190060070	C-5211Z	12-10	YELLOW	.245/6.22	.667/16.94	.511/12.98	.311/7.90	.677/17.20	.246/6.25



## SALES DRAWING

### NOTES:

1. MATERIAL: BRASS.  
PLATING: ELECTROPLATE TIN.
2. INSULATION: NYLON.
3. MWID=MAXIMUM WIRE INSULATION DIA.
4. ALL DIMENSIONS IN INCHES (MM).

EC NO: ETC2004-0126 DRWN:DMYRICK 2004/01/06 CHKD:SBEITZEL 2004/01/06 APPR:RDEROSS 2004/01/07	QUALITY SYMBOLS	GENERAL TOLERANCES (UNLESS SPECIFIED)	SCALE NTS	DESIGN UNITS INCH	THIRD ANGLE PROJECTION	REVISE ON CAD ONLY																														
	DESCRIPTION ▼ = 0 ▽ = 0	<table border="1"> <thead> <tr> <th></th> <th>mm</th> <th>INCH</th> </tr> </thead> <tbody> <tr> <td>4 PLACES</td> <td>± .---</td> <td>± .---</td> </tr> <tr> <td>3 PLACES</td> <td>± .---</td> <td>± .005</td> </tr> <tr> <td>2 PLACES</td> <td>± 0.13</td> <td>± .01</td> </tr> <tr> <td>1 PLACE</td> <td>± 0.25</td> <td>± .---</td> </tr> </tbody> </table>		mm	INCH	4 PLACES	± .---	± .---	3 PLACES	± .---	± .005	2 PLACES	± 0.13	± .01	1 PLACE	± 0.25	± .---	<table border="1"> <thead> <tr> <th colspan="2">DIMENSION STYLE</th> </tr> <tr> <th>IN</th> <th>MM</th> </tr> </thead> <tbody> <tr> <td>DRAWN BY</td> <td>DATE</td> </tr> <tr> <td>DMYRICK</td> <td>03/12/26</td> </tr> <tr> <td>CHECKED BY</td> <td>DATE</td> </tr> <tr> <td>SBEITZEL</td> <td>03/12/26</td> </tr> <tr> <td>APPROVED BY</td> <td>DATE</td> </tr> <tr> <td>RDEROSS</td> <td>03/12/26</td> </tr> </tbody> </table>	DIMENSION STYLE		IN	MM	DRAWN BY	DATE	DMYRICK	03/12/26	CHECKED BY	DATE	SBEITZEL	03/12/26	APPROVED BY	DATE	RDEROSS	03/12/26	TITLE	MOLEX INCORPORATED AVIKRIMP FLAG FULLY INSULATED .250 TAB WIDTH (SEE CHART)
			mm	INCH																																
		4 PLACES	± .---	± .---																																
3 PLACES	± .---	± .005																																		
2 PLACES	± 0.13	± .01																																		
1 PLACE	± 0.25	± .---																																		
DIMENSION STYLE																																				
IN	MM																																			
DRAWN BY	DATE																																			
DMYRICK	03/12/26																																			
CHECKED BY	DATE																																			
SBEITZEL	03/12/26																																			
APPROVED BY	DATE																																			
RDEROSS	03/12/26																																			
DRAFT WHERE APPLICABLE	MATERIAL NO.	DOCUMENT NO.	SHEET NO.																																	
MUST REMAIN WITHIN DIMENSIONS	(SEE CHART)	SD-19006-001	1 OF 1																																	
	THIS DRAWING CONTAINS INFORMATION THAT IS PROPRIETARY TO MOLEX INCORPORATED AND SHOULD NOT BE USED WITHOUT WRITTEN PERMISSION																																			