



Chipsmall Limited consists of a professional team with an average of over 10 year of expertise in the distribution of electronic components. Based in Hongkong, we have already established firm and mutual-benefit business relationships with customers from,Europe,America and south Asia,supplying obsolete and hard-to-find components to meet their specific needs.

With the principle of “Quality Parts,Customers Priority,Honest Operation,and Considerate Service”,our business mainly focus on the distribution of electronic components. Line cards we deal with include Microchip,ALPS,ROHM,Xilinx,Pulse,ON,Everlight and Freescale. Main products comprise IC,Modules,Potentiometer,IC Socket,Relay,Connector.Our parts cover such applications as commercial,industrial, and automotives areas.

We are looking forward to setting up business relationship with you and hope to provide you with the best service and solution. Let us make a better world for our industry!



Contact us

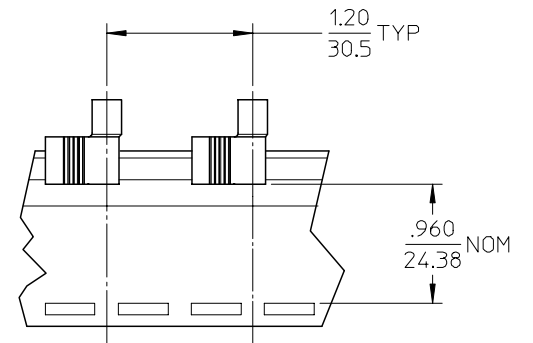
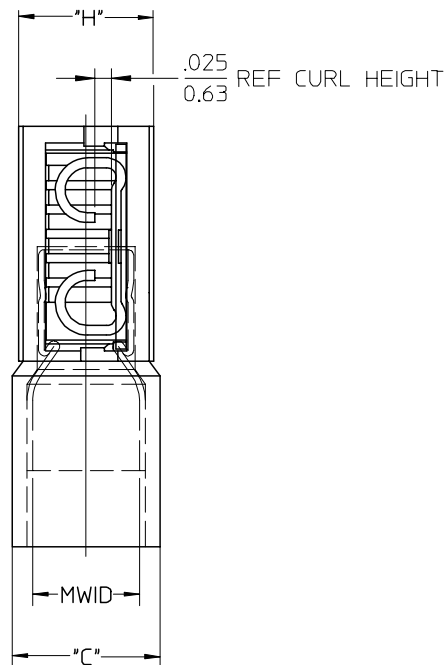
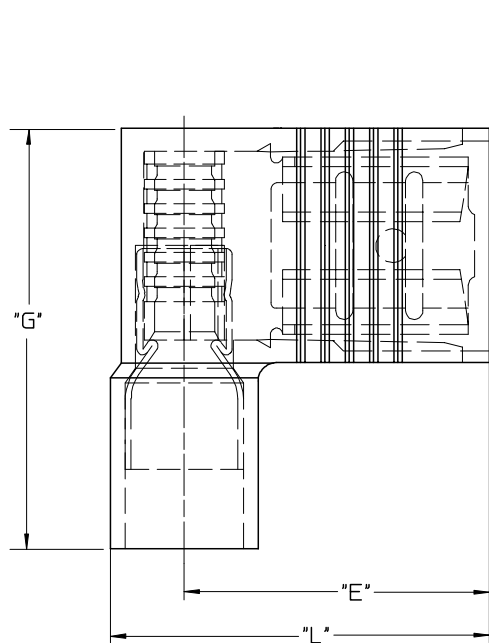
Tel: +86-755-8981 8866 Fax: +86-755-8427 6832

Email & Skype: info@chipsmall.com Web: www.chipsmall.com

Address: A1208, Overseas Decoration Building, #122 Zhenhua RD., Futian, Shenzhen, China



| MATERIAL NO. | ENG. NO. | MATERIAL NO. TAPE MOUNTED | ENG. NO. TAPE MOUNTED | MATERIAL NO. STRIP MOUNTED | ENG. NO. STRIP MOUNTED | AWG | COLOR | MWID | "L" ±.015/.381 | "E" ±.015/.381 | "C" DIA ±.015/.381 | "G" ±.015/.381 | "H" ±.015/.381 |
|--------------|----------|------------------------------|--------------------------|-------------------------------|---------------------------|-------|--------|-----------|-------------------|-------------------|-----------------------|-------------------|-------------------|
| 190060001 | AA-5220 | 190060003 | AA-5220T | 190060004 | AA-5220Z | 22-18 | RED | .150/3.81 | .620/15.75 | .512/13.00 | .222/5.64 | .690/17.53 | .196/4.98 |
| 190060011 | BB-5221 | 190060013 | BB-5221T | 190060014 | BB-5221Z | 16-14 | BLUE | .170/4.32 | .500/12.70 | .242/6.15 | .690/17.53 | .196/4.98 | |
| 190060019 | C-5211 | 190060020 | C-5211T | 190060070 | C-5211Z | 12-10 | YELLOW | .245/6.22 | .667/16.94 | .511/12.98 | .311/7.90 | .677/17.20 | .246/6.25 |



SALES DRAWING

NOTES:

- MATERIAL: BRASS.
PLATING: ELECTROPLATE TIN.
- INSULATION: NYLON.
- MWID=MAXIMUM WIRE INSULATION DIA.
- ALL DIMENSIONS IN INCHES (MM).

| EC NO: ETC2004-0126 DRWN:DMYRICK 2004/01/06 CHKD:SBEITZEL 2004/01/06 APPR:RDEROSS 2004/01/07 | QUALITY SYMBOLS | GENERAL TOLERANCES (UNLESS SPECIFIED) | SCALE NTS | DESIGN UNITS INCH | THIRD ANGLE PROJECTION | REVISE ON CAD ONLY | | | | | | | | | | | | | | | | | | | | | | | | |
|---|---|--|-----------------------------|------------------------------|------------------------|--------------------|--------|--------|----------|--------|--------|----------|--------|-------|---------|--------|--------|--|-----------------|--|-------|-------|---------------------|------------------|------------------------|------------------|------------------------|------------------|--|--|
| | DESCRIPTION ▼ = 0 ▽ = 0 | <table border="1"> <thead> <tr> <th></th> <th>mm</th> <th>INCH</th> </tr> </thead> <tbody> <tr> <td>4 PLACES</td> <td>± .---</td> <td>± .---</td> </tr> <tr> <td>3 PLACES</td> <td>± .---</td> <td>± .005</td> </tr> <tr> <td>2 PLACES</td> <td>± 0.13</td> <td>± .01</td> </tr> <tr> <td>1 PLACE</td> <td>± 0.25</td> <td>± .---</td> </tr> </tbody> </table> | | mm | INCH | 4 PLACES | ± .--- | ± .--- | 3 PLACES | ± .--- | ± .005 | 2 PLACES | ± 0.13 | ± .01 | 1 PLACE | ± 0.25 | ± .--- | <table border="1"> <thead> <tr> <th colspan="2">DIMENSION STYLE</th> </tr> <tr> <th>IN/MM</th> <th>TITLE</th> </tr> </thead> <tbody> <tr> <td>DRAWN BY DMYRICK</td> <td>DATE 03/12/26</td> </tr> <tr> <td>CHECKED BY SBEITZEL</td> <td>DATE 03/12/26</td> </tr> <tr> <td>APPROVED BY RDEROSS</td> <td>DATE 03/12/26</td> </tr> </tbody> </table> | DIMENSION STYLE | | IN/MM | TITLE | DRAWN BY DMYRICK | DATE 03/12/26 | CHECKED BY SBEITZEL | DATE 03/12/26 | APPROVED BY RDEROSS | DATE 03/12/26 | MOLEX INCORPORATED AVIKRIMP FLAG FULLY INSULATED .250 TAB WIDTH | |
| | | | mm | INCH | | | | | | | | | | | | | | | | | | | | | | | | | | |
| | | 4 PLACES | ± .--- | ± .--- | | | | | | | | | | | | | | | | | | | | | | | | | | |
| 3 PLACES | ± .--- | ± .005 | | | | | | | | | | | | | | | | | | | | | | | | | | | | |
| 2 PLACES | ± 0.13 | ± .01 | | | | | | | | | | | | | | | | | | | | | | | | | | | | |
| 1 PLACE | ± 0.25 | ± .--- | | | | | | | | | | | | | | | | | | | | | | | | | | | | |
| DIMENSION STYLE | | | | | | | | | | | | | | | | | | | | | | | | | | | | | | |
| IN/MM | TITLE | | | | | | | | | | | | | | | | | | | | | | | | | | | | | |
| DRAWN BY DMYRICK | DATE 03/12/26 | | | | | | | | | | | | | | | | | | | | | | | | | | | | | |
| CHECKED BY SBEITZEL | DATE 03/12/26 | | | | | | | | | | | | | | | | | | | | | | | | | | | | | |
| APPROVED BY RDEROSS | DATE 03/12/26 | | | | | | | | | | | | | | | | | | | | | | | | | | | | | |
| DRAFT WHERE APPLICABLE MUST REMAIN WITHIN DIMENSIONS | THIS DRAWING CONTAINS INFORMATION THAT IS PROPRIETARY TO MOLEX INCORPORATED AND SHOULD NOT BE USED WITHOUT WRITTEN PERMISSION | | MATERIAL NO. (SEE CHART) | DOCUMENT NO. SD-19006-001 | SHEET NO. 1 OF 1 | | | | | | | | | | | | | | | | | | | | | | | | | |