



Chipsmall Limited consists of a professional team with an average of over 10 year of expertise in the distribution of electronic components. Based in Hongkong, we have already established firm and mutual-benefit business relationships with customers from,Europe,America and south Asia,supplying obsolete and hard-to-find components to meet their specific needs.

With the principle of “Quality Parts,Customers Priority,Honest Operation,and Considerate Service”,our business mainly focus on the distribution of electronic components. Line cards we deal with include Microchip,ALPS,ROHM,Xilinx,Pulse,ON,Everlight and Freescale. Main products comprise IC,Modules,Potentiometer,IC Socket,Relay,Connector.Our parts cover such applications as commercial,industrial, and automotives areas.

We are looking forward to setting up business relationship with you and hope to provide you with the best service and solution. Let us make a better world for our industry!



Contact us

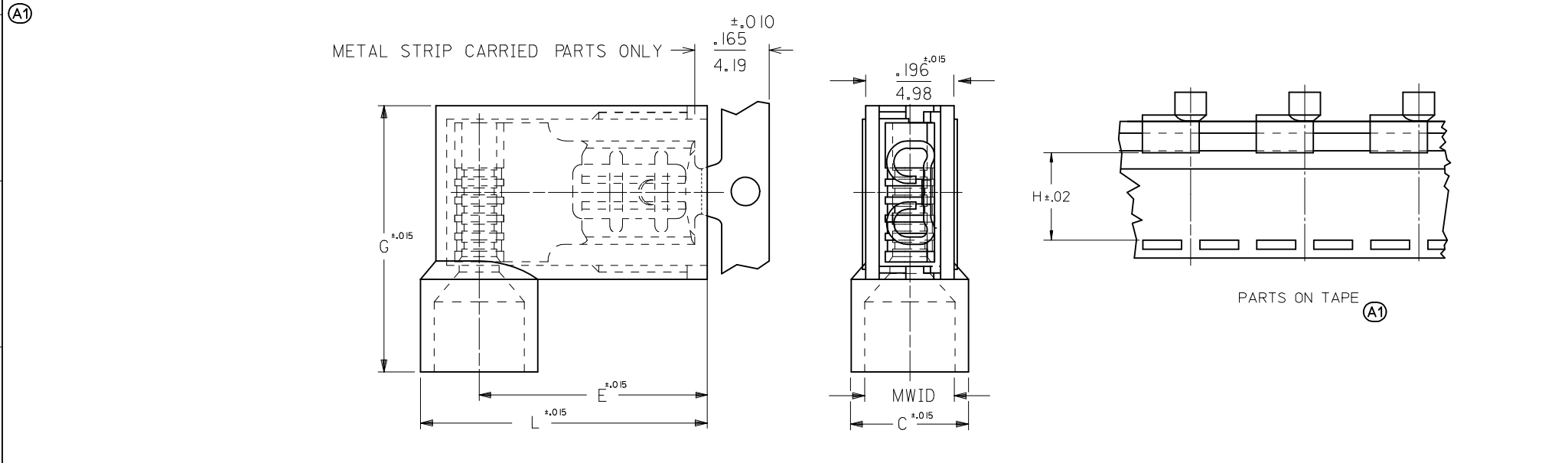
Tel: +86-755-8981 8866 Fax: +86-755-8427 6832

Email & Skype: info@chipsmall.com Web: www.chipsmall.com

Address: A1208, Overseas Decoration Building, #122 Zhenhua RD., Futian, Shenzhen, China



10		9		8		7		6		5		4		3		2		19007	
LOOSE PIECE		METAL STRIP CARRIED		MYLAR TAPE CARRIED		FEATURES				DIMENSIONS									
MATERIAL NUMBER	ENGINEERING NUMBER	MATERIAL NUMBER	ENGINEERING NUMBER	MATERIAL NUMBER	ENGINEERING NUMBER	AWG	COLOR	FITS TAB SIZE	MWID	L	G	E	C	H					
190070009	AA-2222	190070014	AA-2222Z	190070010	AA-2222T	22-18	RED	.187 x .020	.176/4.47	.630/16.00	.585/14.86	.512/13.00	.236/5.99	.93/23.6					
190070011	AA-2222X	190070013	AA-2222XZ	190070012	AA-2222XT	22-18	RED	.187 x .020	.240/6.10	.662/16.81	.625/15.88	.512/13.00	.300/7.62	.93/23.6					
190070015	AA-2223	190070020	AA-2223Z	190070016	AA-2223T	22-18	RED	.187 x .020	.176/4.47	.630/16.00	.585/14.86	.512/13.00	.236/5.99	.93/23.6					
190070017	AA-2223X	190070019	AA-2223XZ	190070018	AA-2223XT	22-18	RED	.187 x .020	.240/6.10	.662/16.81	.625/15.88	.512/13.00	.300/7.62	.93/23.6					
190070029	BB-2224	190070034	BB-2224Z	190070030	BB-2224T	16-14	BLUE	.187 x .032	.200/5.08	.630/16.00	.585/14.86	.500/12.70	.260/6.60	.93/23.6					
190070031	BB-2224X	190070033	BB-2224XZ	190070032	BB-2224XT	16-14	BLUE	.187 x .032	.265/6.73	.670/17.02	.625/15.88	.500/12.70	.325/8.26	.93/23.6					
190070035	BB-2225	190070039	BB-2225Z	190070036	BB-2225T	16-14	BLUE	.187 x .032	.200/5.08	.630/16.00	.585/14.86	.500/12.70	.260/6.60	.93/23.6					
190070037	BB-2225X	190070060	BB-2225XZ	190070038	BB-2225XT	16-14	BLUE	.187 x .032	.265/6.73	.670/17.02	.625/15.88	.500/12.70	.325/8.26	.93/23.6					



(A1)

NOTES:
 1. MWID: MAX. WIRE INSULATION DIA.
 2. MATERIAL:
 HOUSING: NYLON
 TERMINAL: TIN PLATED BRASS.
 3. ASSEMBLY IS ROHS COMPLIANT.

REDRAWN, ADD PARTS EC NO: IPG2016-0913 DRWNGR: JASO1 2015/12/17 CHKD: JMACNEIL 2015/12/18 APPR: JMACNEIL 2015/12/31	QUALITY SYMBOLS ▽=0 ▽=0	GENERAL TOLERANCES (UNLESS SPECIFIED)		DIMENSION STYLE IN/MM		SCALE	DESIGN UNITS INCH	THIRD ANGLE PROJECTION																			
		<table border="1"> <thead> <tr> <th></th> <th>mm</th> <th>INCH</th> </tr> </thead> <tbody> <tr> <td>4 PLACES</td> <td>± ---</td> <td>± ---</td> </tr> <tr> <td>3 PLACES</td> <td>± ---</td> <td>± .005</td> </tr> <tr> <td>2 PLACES</td> <td>± 0.13</td> <td>± .01</td> </tr> <tr> <td>1 PLACE</td> <td>± 0.25</td> <td>± ---</td> </tr> <tr> <td>0 PLACE</td> <td>±</td> <td>±</td> </tr> </tbody> </table>			mm	INCH	4 PLACES	± ---	± ---	3 PLACES	± ---	± .005	2 PLACES	± 0.13	± .01	1 PLACE	± 0.25	± ---	0 PLACE	±	±	DRAWN BY DATE RM 1989/07/26		TITLE FLAG QUICK DISCONNECT FULLY INSULATED .187X.020 &.032 TAB SIZE			
			mm	INCH																							
		4 PLACES	± ---	± ---																							
3 PLACES	± ---	± .005																									
2 PLACES	± 0.13	± .01																									
1 PLACE	± 0.25	± ---																									
0 PLACE	±	±																									
ANGULAR ±1/2° DRAFT WHERE APPLICABLE MUST REMAIN WITHIN DIMENSIONS		CHECKED BY DATE JM 1989/07/26		molex DOCUMENT NO. SD-19007-005 SHEET NO. 1 OF 1																							
MATERIAL NO. SEE CHART SIZE B		APPROVED BY DATE 2015/12/31																									