



Chipsmall Limited consists of a professional team with an average of over 10 year of expertise in the distribution of electronic components. Based in Hongkong, we have already established firm and mutual-benefit business relationships with customers from,Europe,America and south Asia,supplying obsolete and hard-to-find components to meet their specific needs.

With the principle of “Quality Parts,Customers Priority,Honest Operation,and Considerate Service”,our business mainly focus on the distribution of electronic components. Line cards we deal with include Microchip,ALPS,ROHM,Xilinx,Pulse,ON,Everlight and Freescale. Main products comprise IC,Modules,Potentiometer,IC Socket,Relay,Connector.Our parts cover such applications as commercial,industrial, and automotives areas.

We are looking forward to setting up business relationship with you and hope to provide you with the best service and solution. Let us make a better world for our industry!



Contact us

Tel: +86-755-8981 8866 Fax: +86-755-8427 6832

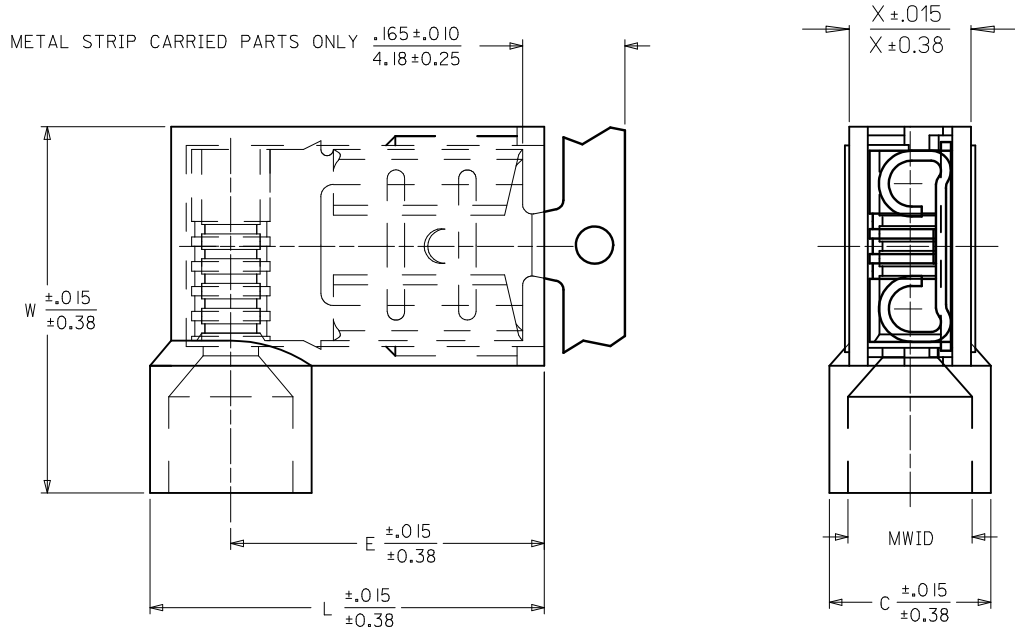
Email & Skype: info@chipsmall.com Web: www.chipsmall.com

Address: A1208, Overseas Decoration Building, #122 Zhenhua RD., Futian, Shenzhen, China



PART NO.	CARRIER STYLE	AWG	COLOR	MWID	TAB SIZE	E	C	L	W	X
190070064	LOOSE	22-18	RED	.176/4.47	.250 X .032	.512/13.00	.236/5.99	.630/16.00	.585/14.86	.197/5.00
190070065	TAPE	22-18	RED	.176/4.47	.250 X .032	.512/13.00	.236/5.99	.630/16.00	.585/14.86	.197/5.00
190070066	STRIP	22-18	RED	.176/4.47	.250 X .032	.512/13.00	.236/5.99	.630/16.00	.585/14.86	.197/5.00
190070073	LOOSE	16-14	BLUE	.200/5.08	.250 X .032	.500/12.70	.260/6.60	.630/16.00	.585/14.86	.197/5.00
190070074	TAPE	16-14	BLUE	.200/5.08	.250 X .032	.500/12.70	.260/6.60	.630/16.00	.585/14.86	.197/5.00
190070075	STRIP	16-14	BLUE	.200/5.08	.250 X .032	.500/12.70	.260/6.60	.630/16.00	.585/14.86	.197/5.00
190070082	LOOSE	12-10	YELLOW	.260/6.60	.250 X .032	.511/12.98	.311/7.90	.667/16.93	.677/17.20	.246/6.25
190070083	TAPE	12-10	YELLOW	.260/6.60	.250 X .032	.511/12.98	.311/7.90	.667/16.93	.677/17.20	.246/6.25
190070084	STRIP	12-10	YELLOW	.260/6.60	.250 X .032	.511/12.98	.311/7.90	.667/16.93	.677/17.20	.246/6.25

(C1)



SALES DRAWING

- NOTES:
 1. MWID = MAX. WIRE INSULATION DIA.
 2. MATERIAL:
 HOUSING: NYLON 6/6 94V-0 RATING
 TERMINAL: TIN PLATED BRASS
 3. PARTS ARE ROHS COMPLIANT.

(C1)

P/N TYPO EC NO: ETC2006-0048 DRAWN: JLOMASTRO 2005/09/26 CHKD: PAUL TCKT 2005/09/28 APPR: RDEROSS 2005/09/28	QUALITY SYMBOLS ▽=0 ▽=0	GENERAL TOLERANCES (UNLESS SPECIFIED)	DIMENSION STYLE IN/MM	SCALE	DESIGN UNITS INCH	THIRD ANGLE PROJECTION	
		mm INCH	DRAWN BY DATE HBEITZEL 01/06/05	TITLE	FLAG FIQD INSULKRIMP 94V-0 MATERIAL 0250X .032 TAB		
		4 PLACES ± --- ± --- 3 PLACES ± --- ± --- 2 PLACES ± --- ± --- 1 PLACE ± --- ± ---	CHECKED BY DATE RDEROSS 01/06/05	APPROVED BY DATE RDEROSS 01/06/05	MOLEX INCORPORATED		
		ANGULAR ±1/2°	MATERIAL NO.	DOCUMENT NO.	SHEET NO.		
	DRAFT WHERE APPLICABLE MUST REMAIN WITHIN DIMENSIONS	SEE CHART	SD-19007-002		1 OF 1		
		THIS DRAWING CONTAINS INFORMATION THAT IS PROPRIETARY TO MOLEX INCORPORATED AND SHOULD NOT BE USED WITHOUT WRITTEN PERMISSION					