



Chipsmall Limited consists of a professional team with an average of over 10 year of expertise in the distribution of electronic components. Based in Hongkong, we have already established firm and mutual-benefit business relationships with customers from,Europe,America and south Asia,supplying obsolete and hard-to-find components to meet their specific needs.

With the principle of "Quality Parts,Customers Priority,Honest Operation,and Considerate Service",our business mainly focus on the distribution of electronic components. Line cards we deal with include Microchip,ALPS,ROHM,Xilinx,Pulse,ON,Everlight and Freescale. Main products comprise IC,Modules,Potentiometer,IC Socket,Relay,Connector.Our parts cover such applications as commercial,industrial, and automotives areas.

We are looking forward to setting up business relationship with you and hope to provide you with the best service and solution. Let us make a better world for our industry!



## Contact us

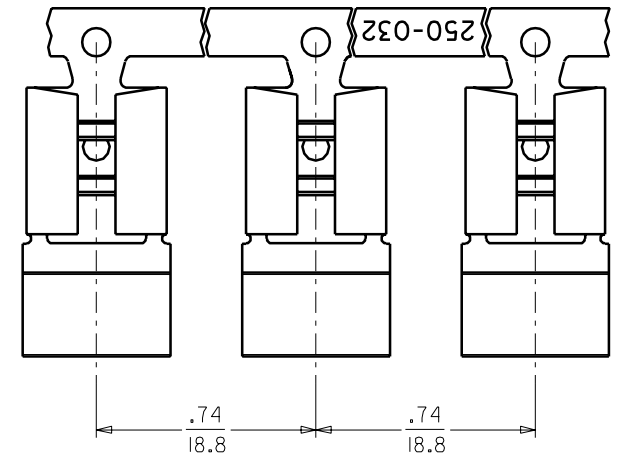
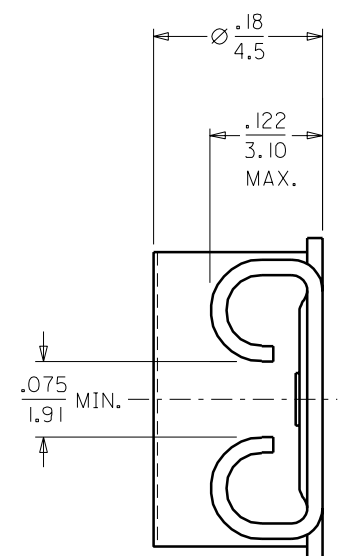
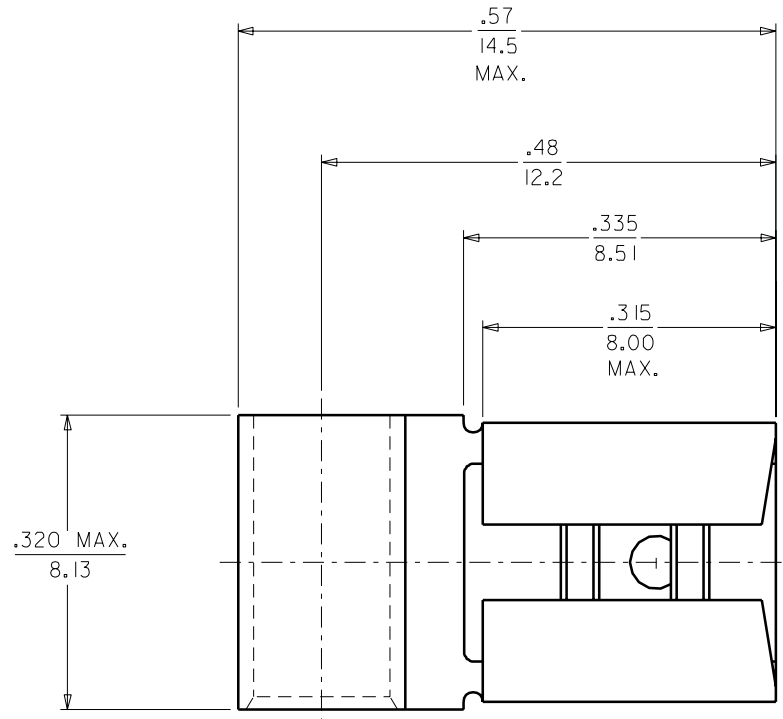
Tel: +86-755-8981 8866 Fax: +86-755-8427 6832

Email & Skype: info@chipsmall.com Web: www.chipsmall.com

Address: A1208, Overseas Decoration Building, #122 Zhenhua RD., Futian, Shenzhen, China



MATERIAL NO.	ENG. NO.	DESCRIPTION
190080063	C-1012	LOOSE PIECE
190080064	CZ-1012	STRIP CARRIED



### SALES DRAWING

**NOTE(S):**  
 1. MATERIAL: BRASS  
 2. PLATING TIN PLATED.

NEW RELEASE  
 EC NO. ETC2003-0212  
 DRWN: DLM 03/02/28  
 CHK: SB 03/02/28  
 APPR: RWD 03/02/28

QUALITY SYMBOLS	DESCRIPTION
MAJOR ▼ = 0	
CRITICAL ▽ = 0	

GENERAL TOLERANCES: (UNLESS SPECIFIED)	
mm	INCH
4 PLACES ±0.-----	±.-----
3 PLACES ±0.---	±.005
2 PLACES ±0.13	±.010
1 PLACE ±0.25	±.---
ANGULAR: ±1/2°	
DRAFT WHERE APPLICABLE MUST REMAIN WITHIN DIMENSIONS	

SCALE 5:1	DESIGN UNITS <input type="checkbox"/> mm <input checked="" type="checkbox"/> INCH
DRAWN BY & DATE DLM 03/02/28	
CHECKED BY & DATE SB 03/02/28	
APPROVED BY & DATE RWD 03/02/28	
CAD FILENAME SD19008010.DGN	

DIMENSIONS: <input type="checkbox"/> mm <input checked="" type="checkbox"/> INCH		SHT	REV
THIRD ANGLE PROJECTION			
TITLE: FLAG, UNINSULATED KRIMPTITE, 12-10 AWG .250 X .032 TAB SIZE			
MOLEX INCORPORATED			
MATERIAL NO. (SEE CHART)	DRAWING NO. SD-19008-010	SHEET NO. 1 OF 1	
THIS DRAWING CONTAINS INFORMATION THAT IS PROPRIETARY TO MOLEX INCORPORATED AND SHOULD NOT BE USED WITHOUT WRITTEN PERMISSION.			SIZE A