



Chipsmall Limited consists of a professional team with an average of over 10 year of expertise in the distribution of electronic components. Based in Hongkong, we have already established firm and mutual-benefit business relationships with customers from,Europe,America and south Asia,supplying obsolete and hard-to-find components to meet their specific needs.

With the principle of “Quality Parts,Customers Priority,Honest Operation,and Considerate Service”,our business mainly focus on the distribution of electronic components. Line cards we deal with include Microchip,ALPS,ROHM,Xilinx,Pulse,ON,Everlight and Freescale. Main products comprise IC,Modules,Potentiometer,IC Socket,Relay,Connector.Our parts cover such applications as commercial,industrial, and automotives areas.

We are looking forward to setting up business relationship with you and hope to provide you with the best service and solution. Let us make a better world for our industry!



## Contact us

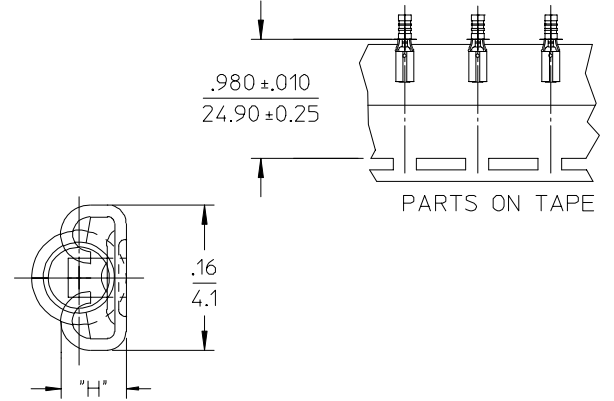
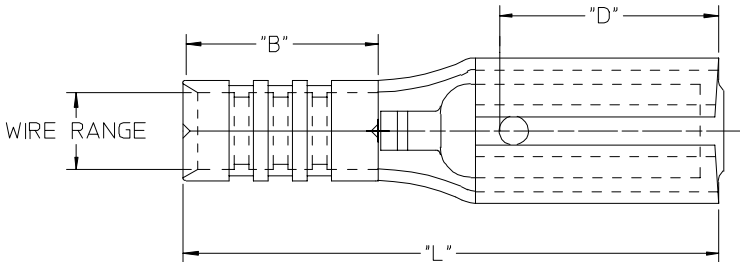
Tel: +86-755-8981 8866 Fax: +86-755-8427 6832

Email & Skype: info@chipsmall.com Web: www.chipsmall.com

Address: A1208, Overseas Decoration Building, #122 Zhenhua RD., Futian, Shenzhen, China



MATERIAL NUMBER	ENGINEERING NUMBER	TAPE MATERIAL NUMBER	TAPE ENGINEERING NUMBER	WIRE RANGE AWG MM <sup>2</sup>	FITS MALE TAB SIZE	"L" MAX.	"B" ±.01/(±0.3)	"H" ±.01/(±0.3)
190160112	M-1133	190160097	M-1133T	26-24 0.1 -0.3	.110x.032 (2.80 X 0.81)	.53 (13.5)	.16 (4.1)	.08 (2.0)
190160037	BB-1135	190160038	BB-1135T	16-14 1.0-2.6	.110x.032 (2.80 X 0.81)	.57 (14.5)	.20 (5.1)	.08 (2.0)
190160075	M-1130	190160076	M-1130T	26-24 0.1 -0.3	.110x.020 (2.80 X 0.51)	.53 (13.5)	.16 (4.1)	.07 (1.8)
190160035	BB-1132	190160036	BB-1132T	16-14 1.0-2.6	.110x.020 (2.80 X 0.51)	.57 (14.5)	.20 (5.1)	.07 (1.8)



NOTES:

- MATERIAL: BRASS .012 (.30) THK. FINISH: ELECTRO-TIN PLATING

WAS: CD-1903 EC NO: ETC2005-0016 DRWN: BENDERLE 2004/07/29 CHKD: BENDERLE 2004/07/29 APPR: RDEROSS 2004/07/29	QUALITY SYMBOLS	GENERAL TOLERANCES (UNLESS SPECIFIED)		SCALE NONE	DESIGN UNITS INCH	THIRD ANGLE PROJECTION	REVISE ON CAD ONLY	
	DESCRIPTION ▽ = 0 ▽ = 0	4 PLACES	mm ±---	INCH ±---	DIMENSION STYLE IN/MM		TITLE	
		3 PLACES	±---	±---	DRAWN BY DATE		KRIPTITE QUICK DISCONNECTS	
		2 PLACES	±---	±---	BENDERLE 2004/07/26		MOLEX INCORPORATED	
	1 PLACE	±---	±---	CHECKED BY DATE		MATERIAL NO. DOCUMENT NO. SHEET NO.		
	ANGULAR ±---°		APPROVED BY DATE		SEE CHART SD-19016-001		1 OF 1	
	DRAFT WHERE APPLICABLE MUST REMAIN WITHIN DIMENSIONS		R DEROSS 2004/07/26		THIS DRAWING CONTAINS INFORMATION THAT IS PROPRIETARY TO MOLEX INCORPORATED AND SHOULD NOT BE USED WITHOUT WRITTEN PERMISSION			