



Chipsmall Limited consists of a professional team with an average of over 10 year of expertise in the distribution of electronic components. Based in Hongkong, we have already established firm and mutual-benefit business relationships with customers from,Europe,America and south Asia,supplying obsolete and hard-to-find components to meet their specific needs.

With the principle of “Quality Parts,Customers Priority,Honest Operation,and Considerate Service”,our business mainly focus on the distribution of electronic components. Line cards we deal with include Microchip,ALPS,ROHM,Xilinx,Pulse,ON,Everlight and Freescale. Main products comprise IC,Modules,Potentiometer,IC Socket,Relay,Connector.Our parts cover such applications as commercial,industrial, and automotives areas.

We are looking forward to setting up business relationship with you and hope to provide you with the best service and solution. Let us make a better world for our industry!



Contact us

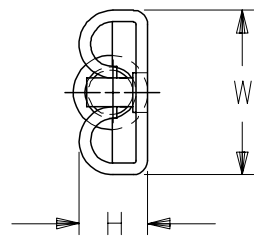
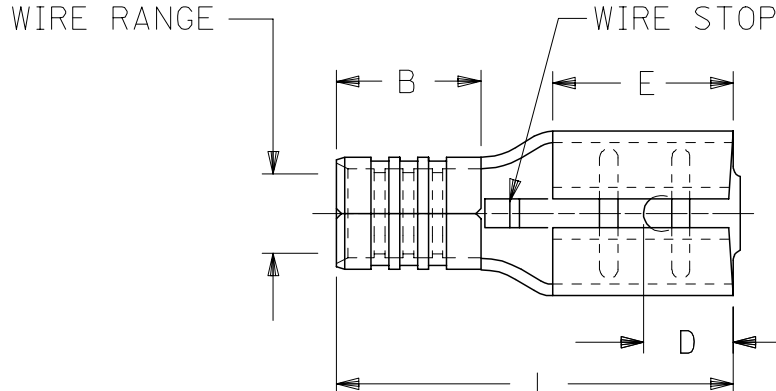
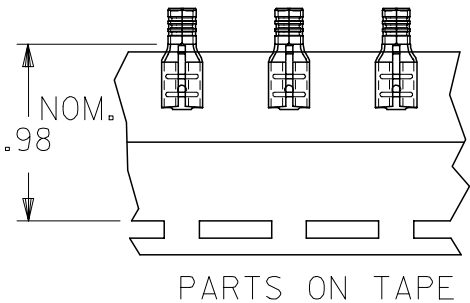
Tel: +86-755-8981 8866 Fax: +86-755-8427 6832

Email & Skype: info@chipsmall.com Web: www.chipsmall.com

Address: A1208, Overseas Decoration Building, #122 Zhenhua RD., Futian, Shenzhen, China



MATERIAL NO. LOOSE PIECE	ENGINEERING NO.	MATERIAL NO. TAPE MOUNTED	ENGINEERING NO.	WIRE RANGE AWG	MM ²	FITS MALE TAB SIZE	L MAX	B ±.01/3	W MAX	D ±.01/3	H ±.01/3	E NOM
190160085	P-1142	190160086	P-1142T	14-12	1.65-4.2	.250x.032	.66/16.8	.190/4.83	.30/7.6	.156/3.96	.103/2.62	.31/7.9
190160099	M-1136-032	190160144	M-1136-032T	26-24	0.1-0.3	.187x.032	.55/14.0	.156/3.96	.24/6.1	.125/3.18	.103/2.62	.25/6.4
190160006	AA-1137-032	190160007	AA-1137-032T	22-18	0.25-1.3	.187x.032	.58/14.7	.200/5.08	.24/6.1	.125/3.18	.103/2.62	.25/6.4
190160040	BB-1138-032	190160041	BB-1138-032T	16-14	1.0-2.6	.187x.032	.58/14.7	.200/5.08	.24/6.1	.125/3.18	.103/2.62	.25/6.4
190160082	P-1139-032	190160083	P-1139-032T	14-12	1.65-4.2	.187x.032	.58/14.7	.200/5.08	.24/6.1	.125/3.18	.103/2.62	.25/6.4
190160098	M-1136	190160100	M-1136T	26-24	0.1-0.3	.187x.020	.55/14.0	.156/3.96	.24/6.1	.125/3.18	.086/2.18	.25/6.4
190160005	AA-1137	190160008	AA-1137T	22-18	0.25-1.3	.187x.020	.58/14.7	.200/5.08	.24/6.1	.125/3.18	.086/2.18	.25/6.4
190160039	BB-1138	190160042	BB-1138T	16-14	1.0-2.6	.187x.020	.58/14.7	.200/5.08	.24/6.1	.125/3.18	.086/2.18	.25/6.4
190160081	P-1139	190160084	P-1139T	14-12	1.65-4.2	.187x.020	.58/14.7	.200/5.08	.24/6.1	.125/3.18	.086/2.18	.25/6.4



- NOTES:
1. MATERIAL: BRASS (.016/.41 THICK)
 2. PLATING: ELECTROPLATE TIN
 3. ALL DIMENSIONS IN INCHES/MM
WIRE SIZE: SEE CHART

ADDED MATERIAL NO	DATE	DESCRIPTION
ETC2006-0197	2006/01/18	
DRW:NASYDEH	2006/01/18	
CHKD:JLOMASTRO	2006/01/18	
APPR:RDEROSS	2006/01/30	

QUALITY SYMBOLS	GENERAL TOLERANCES (UNLESS SPECIFIED)	
	mm	INCH
□=0	4 PLACES ± .005	± .005
▽=0	3 PLACES ± .01	± .01
	2 PLACES ± 0.13	± .01
	1 PLACE ± 0.25	± .01
	ANGULAR ±1/2°	

DIMENSION STYLE	
IN/MM	DATE
RCM	90/11/28
CHECKED BY	DATE
RCM	90/11/28
APPROVED BY	DATE
RDEROSS	90/11/28

SCALE 4:1 DESIGN UNITS INCH THIRD ANGLE PROJECTION

KRIMPTITE QUICK DISCONNECT

molex MOLEX INCORPORATED

MATERIAL NO. SD-19016-004 DOCUMENT NO. SHEET NO. 1 OF 1

SEE CHART

DRAFT WHERE APPLICABLE MUST REMAIN WITHIN DIMENSIONS

THIS DRAWING CONTAINS INFORMATION THAT IS PROPRIETARY TO MOLEX INCORPORATED AND SHOULD NOT BE USED WITHOUT WRITTEN PERMISSION