



Chipsmall Limited consists of a professional team with an average of over 10 year of expertise in the distribution of electronic components. Based in Hongkong, we have already established firm and mutual-benefit business relationships with customers from,Europe,America and south Asia,supplying obsolete and hard-to-find components to meet their specific needs.

With the principle of “Quality Parts,Customers Priority,Honest Operation,and Considerate Service”,our business mainly focus on the distribution of electronic components. Line cards we deal with include Microchip,ALPS,ROHM,Xilinx,Pulse,ON,Everlight and Freescale. Main products comprise IC,Modules,Potentiometer,IC Socket,Relay,Connector.Our parts cover such applications as commercial,industrial, and automotives areas.

We are looking forward to setting up business relationship with you and hope to provide you with the best service and solution. Let us make a better world for our industry!



Contact us

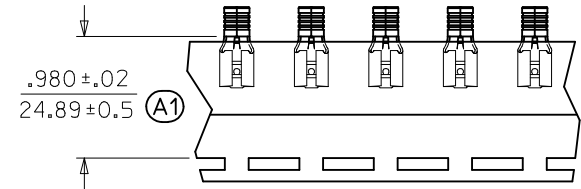
Tel: +86-755-8981 8866 Fax: +86-755-8427 6832

Email & Skype: info@chipsmall.com Web: www.chipsmall.com

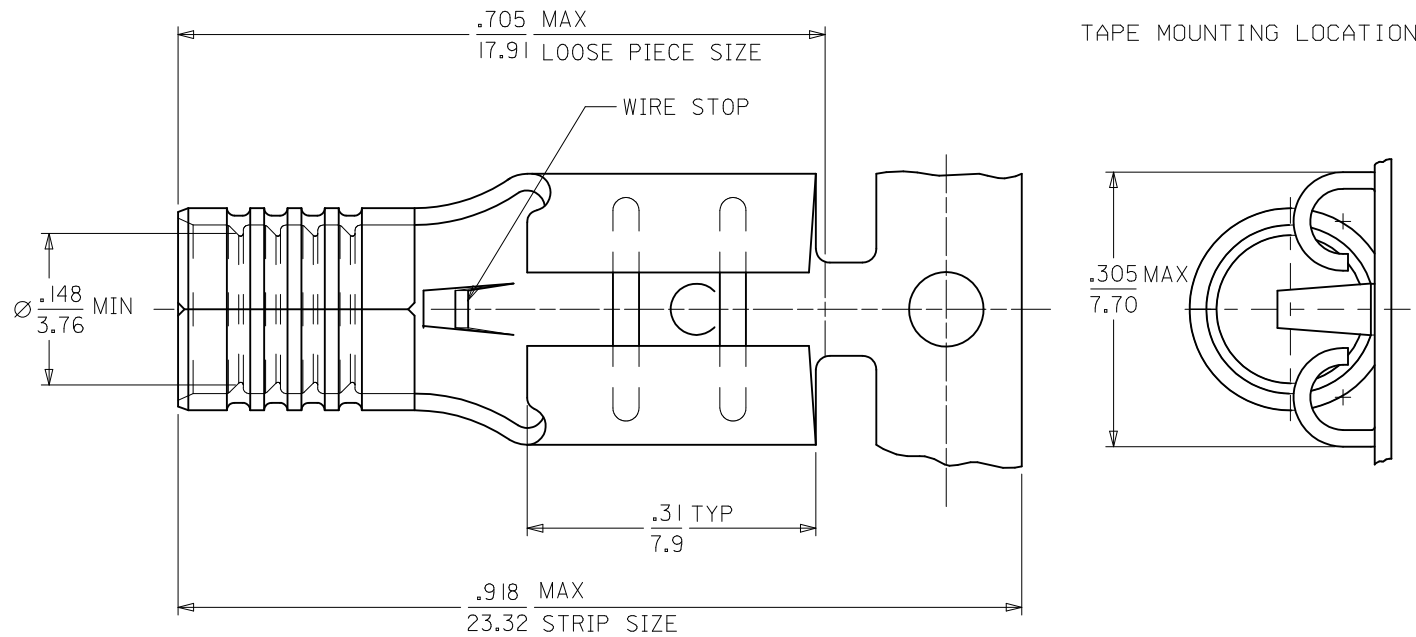
Address: A1208, Overseas Decoration Building, #122 Zhenhua RD., Futian, Shenzhen, China



MATERIAL NUMBER	ENGINEERING NUMBER	PACKAGING
I90160069	C-1143	LOOSE PIECE
I90160073	CZ-1143	STRIP
I90160070	C-1143T	TAPE



TAPE MOUNTING LOCATION



SALES DRAWING

NOTES:
 1. MATERIAL: BRASS (A1)
 PLATING: MATTE TIN
 (A1) 2. PARTS ARE ROHS COMPLIANT.

CORRECT MATERIAL EC NO: WNA2011-0458 DRW: HETHRODAHL 2011/05/23 CHKD: JMAGNEIL 2011/05/23 APPR: JMAGNEIL 2011/07/05	QUALITY SYMBOLS	GENERAL TOLERANCES (UNLESS SPECIFIED)	DIMENSION STYLE	SCALE	DESIGN UNITS	THIRD ANGLE PROJECTION
	▼=0 ▽=0	mm INCH 4 PLACES ± --- ± --- 3 PLACES ± --- ± .005 2 PLACES ± 0.13 ± .01 1 PLACE ± 0.25 ± --- ANGULAR ± ---°	IN/MM	---	INCH	DRAWN BY DATE BRE 2002/07/23 CHECKED BY DATE HEB 2002/07/23 APPROVED BY DATE
	DRAFT WHERE APPLICABLE MUST REMAIN WITHIN DIMENSIONS	MATERIAL NO.	TITLE	QUICK DISCONNECT RECEPTACLE FOR 12-10 AWG .250 X .032 TAB SIZE		
	SEE CHART THIS DRAWING CONTAINS INFORMATION THAT IS PROPRIETARY TO MOLEX INCORPORATED AND SHOULD NOT BE USED WITHOUT WRITTEN PERMISSION	MOLEX MOLEX INCORPORATED	DOCUMENT NO. SD-19016-002	SHEET NO. 1 OF 1		