



Chipsmall Limited consists of a professional team with an average of over 10 year of expertise in the distribution of electronic components. Based in Hongkong, we have already established firm and mutual-benefit business relationships with customers from,Europe,America and south Asia,supplying obsolete and hard-to-find components to meet their specific needs.

With the principle of "Quality Parts,Customers Priority,Honest Operation,and Considerate Service",our business mainly focus on the distribution of electronic components. Line cards we deal with include Microchip,ALPS,ROHM,Xilinx,Pulse,ON,Everlight and Freescale. Main products comprise IC,Modules,Potentiometer,IC Socket,Relay,Connector.Our parts cover such applications as commercial,industrial, and automotives areas.

We are looking forward to setting up business relationship with you and hope to provide you with the best service and solution. Let us make a better world for our industry!



Contact us

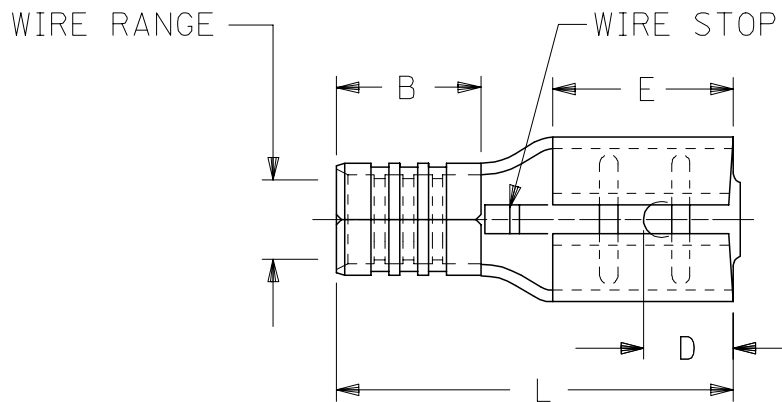
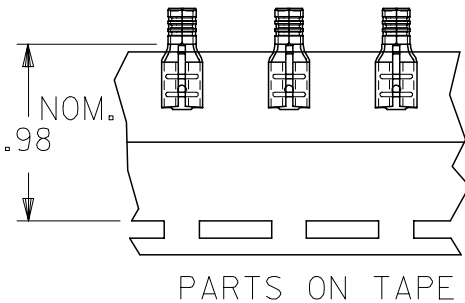
Tel: +86-755-8981 8866 Fax: +86-755-8427 6832

Email & Skype: info@chipsmall.com Web: www.chipsmall.com

Address: A1208, Overseas Decoration Building, #122 Zhenhua RD., Futian, Shenzhen, China



MATERIAL NO. LOOSE PIECE	ENGINEERING NO.	MATERIAL NO. TAPE MOUNTED	ENGINEERING NO.	WIRE RANGE AWG	MM ²	FITS MALE TAB SIZE	L MAX	B ±.01/3	W MAX	D ±.01/3	H ±.01/3	E NOM
190160085	P-1142	190160086	P-1142T	14-12	1.65-4.2	.250x.032	.66/16.8	.190/4.83	.30/7.6	.156/3.96	.103/2.62	.31/7.9
190160099	M-1136-032	190160144	M-1136-032T	26-24	0.1-0.3	.187x.032	.55/14.0	.156/3.96	.24/6.1	.125/3.18	.103/2.62	.25/6.4
190160006	AA-1137-032	190160007	AA-1137-032T	22-18	0.25-1.3	.187x.032	.58/14.7	.200/5.08	.24/6.1	.125/3.18	.103/2.62	.25/6.4
190160040	BB-1138-032	190160041	BB-1138-032T	16-14	1.0-2.6	.187x.032	.58/14.7	.200/5.08	.24/6.1	.125/3.18	.103/2.62	.25/6.4
190160082	P-1139-032	190160083	P-1139-032T	14-12	1.65-4.2	.187x.032	.58/14.7	.200/5.08	.24/6.1	.125/3.18	.103/2.62	.25/6.4
190160098	M-1136	190160100	M-1136T	26-24	0.1-0.3	.187x.020	.55/14.0	.156/3.96	.24/6.1	.125/3.18	.086/2.18	.25/6.4
190160005	AA-1137	190160008	AA-1137T	22-18	0.25-1.3	.187x.020	.58/14.7	.200/5.08	.24/6.1	.125/3.18	.086/2.18	.25/6.4
190160039	BB-1138	190160042	BB-1138T	16-14	1.0-2.6	.187x.020	.58/14.7	.200/5.08	.24/6.1	.125/3.18	.086/2.18	.25/6.4
190160081	P-1139	190160084	P-1139T	14-12	1.65-4.2	.187x.020	.58/14.7	.200/5.08	.24/6.1	.125/3.18	.086/2.18	.25/6.4



- NOTES:
1. MATERIAL: BRASS (.016/.41 THICK)
 2. PLATING: ELECTROPLATE TIN
 3. ALL DIMENSIONS IN INCHES/MM
- WIRE SIZE: SEE CHART

ADDED MATERIAL NO FC NO: ETC2006-0197 2006/01/18 DRAWN: ASYDEH CHKD: JLOMASTRO 2006/01/18 APPR: RDEROSS 2006/01/30	QUALITY SYMBOLS =0 =0	GENERAL TOLERANCES (UNLESS SPECIFIED)		DIMENSION STYLE IN/MM		SCALE 4:1	DESIGN UNITS INCH	THIRD ANGLE PROJECTION	
		mm	INCH	DRAWN BY RCM	DATE 90/11/28	TITLE KRIMPTITE QUICK DISCONNECT			
		4 PLACES ± --- ± ---		CHECKED BY RCM	DATE 90/11/28	MOLEX INCORPORATED DOCUMENT NO. SD-19016-004 SHEET NO. 1 OF 1			
		3 PLACES ± --- ± .005		APPROVED BY RDEROSS	DATE 90/11/28				
		2 PLACES ± 0.13 ± .01		MATERIAL NO. SEE CHART					
		1 PLACE ± 0.25 ± ---		SIZE C		THIS DRAWING CONTAINS INFORMATION THAT IS PROPRIETARY TO MOLEX INCORPORATED AND SHOULD NOT BE USED WITHOUT WRITTEN PERMISSION			
		ANGULAR ±1/2°		DRAFT WHERE APPLICABLE MUST REMAIN WITHIN DIMENSIONS					