



Chipsmall Limited consists of a professional team with an average of over 10 year of expertise in the distribution of electronic components. Based in Hongkong, we have already established firm and mutual-benefit business relationships with customers from,Europe,America and south Asia,supplying obsolete and hard-to-find components to meet their specific needs.

With the principle of "Quality Parts,Customers Priority,Honest Operation,and Considerate Service",our business mainly focus on the distribution of electronic components. Line cards we deal with include Microchip,ALPS,ROHM,Xilinx,Pulse,ON,Everlight and Freescale. Main products comprise IC,Modules,Potentiometer,IC Socket,Relay,Connector.Our parts cover such applications as commercial,industrial, and automotives areas.

We are looking forward to setting up business relationship with you and hope to provide you with the best service and solution. Let us make a better world for our industry!



Contact us

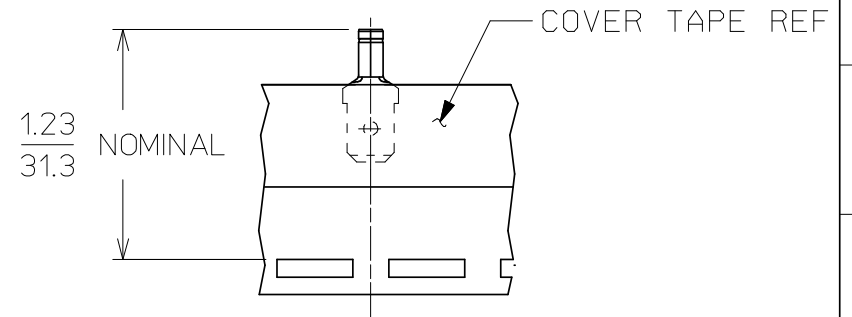
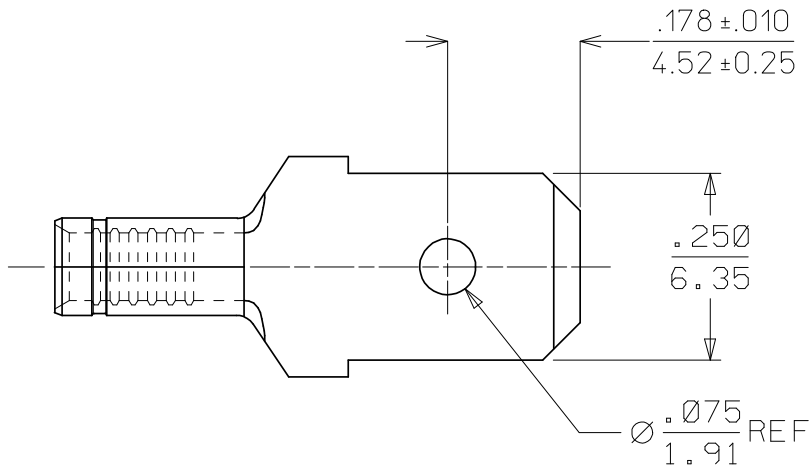
Tel: +86-755-8981 8866 Fax: +86-755-8427 6832

Email & Skype: info@chipsmall.com Web: www.chipsmall.com

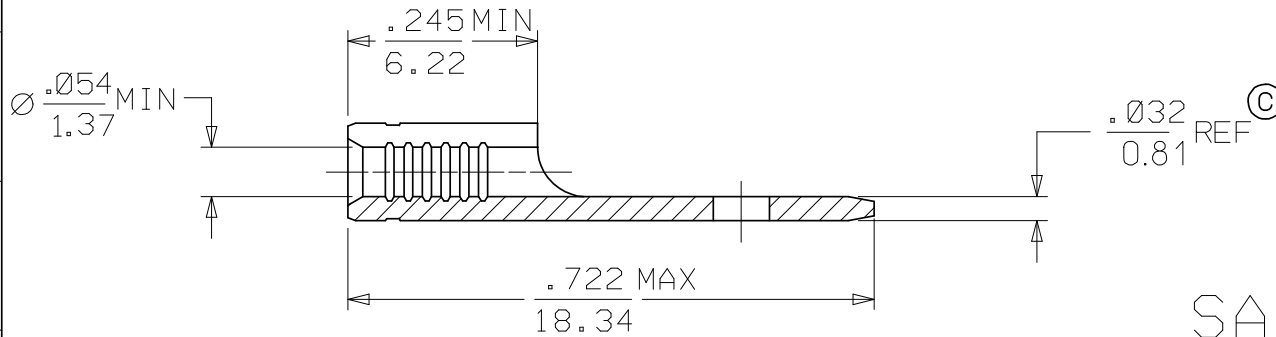
Address: A1208, Overseas Decoration Building, #122 Zhenhua RD., Futian, Shenzhen, China



13	12	11	10	9	8	7	6	5	4	3	2	1
MATERIAL NUMBER		ENGINEERING NUMBER	DESCRIPTION									
190220004		AMCT-I	ZINC CHROMATE PLATED									
190220010		AMCT-IT	ZINC CHROMATE PLATED, TAPE MOUNTED									



TAPE MOUNTING LOCATION FOR 190220010, AMCT-1T



SALES DRAWING

NOTES:

1. MATERIAL: BRASS ©
2. FINISH: SEE CHART
3. WIRE SIZE: 22-18 AWG (0.38 - 0.96 mm²)
4. TAB DIMENSIONS CONFORM TO UL310 SPECIFICATIONS.
5. PART IS ROHS COMPLIANT. ©

CHANGED MATL & FINISH EC NO: EITC2007-0081 DRAWN: HEILE 2008/01/28 CHKD: JMACNEIL 2008/01/28 APPR: JMACNEIL 2008/02/13	QUALITY SYMBOLS $\nabla=0$ $\nabla=0$	GENERAL TOLERANCES (UNLESS SPECIFIED) <table border="1"> <tr> <th></th> <th>mm</th> <th>INCH</th> </tr> <tr> <td>4 PLACES</td> <td>$\pm .010$</td> <td>$\pm .004$</td> </tr> <tr> <td>3 PLACES</td> <td>$\pm .015$</td> <td>$\pm .005$</td> </tr> <tr> <td>2 PLACES</td> <td>$\pm .020$</td> <td>$\pm .010$</td> </tr> <tr> <td>1 PLACE</td> <td>$\pm .025$</td> <td>$\pm .010$</td> </tr> </table>		mm	INCH	4 PLACES	$\pm .010$	$\pm .004$	3 PLACES	$\pm .015$	$\pm .005$	2 PLACES	$\pm .020$	$\pm .010$	1 PLACE	$\pm .025$	$\pm .010$	DIMENSION STYLE IN/MM	SCALE 4:1	DESIGN UNITS INCH	THIRD ANGLE PROJECTION
		mm	INCH																		
	4 PLACES	$\pm .010$	$\pm .004$																		
	3 PLACES	$\pm .015$	$\pm .005$																		
2 PLACES	$\pm .020$	$\pm .010$																			
1 PLACE	$\pm .025$	$\pm .010$																			
DRAWN BY BRE	DATE 1/07/02	TITLE MALE CONNECTOR TERMINAL .250 X .032 TAB KRIMPTITE																			
CHECKED BY HEB	DATE 1/07/02	MOLEX INCORPORATED																			
APPROVED BY RWD	DATE 1/07/02	DOCUMENT NO. SD-19022-006	SHEET NO. 1 OF 1																		

DRAFT WHERE APPLICABLE MUST REMAIN WITHIN DIMENSIONS

SEE CHART

THIS DRAWING CONTAINS INFORMATION THAT IS PROPRIETARY TO MOLEX INCORPORATED AND SHOULD NOT BE USED WITHOUT WRITTEN PERMISSION