



Chipsmall Limited consists of a professional team with an average of over 10 year of expertise in the distribution of electronic components. Based in Hongkong, we have already established firm and mutual-benefit business relationships with customers from,Europe,America and south Asia,supplying obsolete and hard-to-find components to meet their specific needs.

With the principle of “Quality Parts,Customers Priority,Honest Operation,and Considerate Service”,our business mainly focus on the distribution of electronic components. Line cards we deal with include Microchip,ALPS,ROHM,Xilinx,Pulse,ON,Everlight and Freescale. Main products comprise IC,Modules,Potentiometer,IC Socket,Relay,Connector.Our parts cover such applications as commercial,industrial, and automotives areas.

We are looking forward to setting up business relationship with you and hope to provide you with the best service and solution. Let us make a better world for our industry!



## Contact us

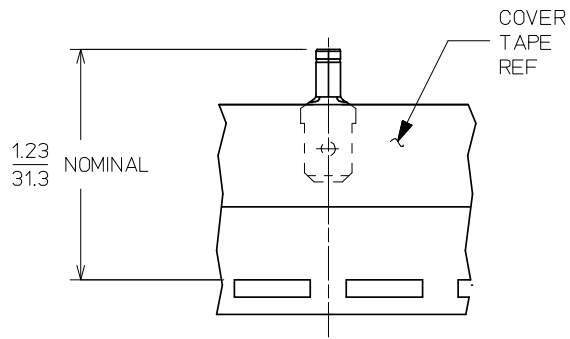
Tel: +86-755-8981 8866 Fax: +86-755-8427 6832

Email & Skype: info@chipsmall.com Web: www.chipsmall.com

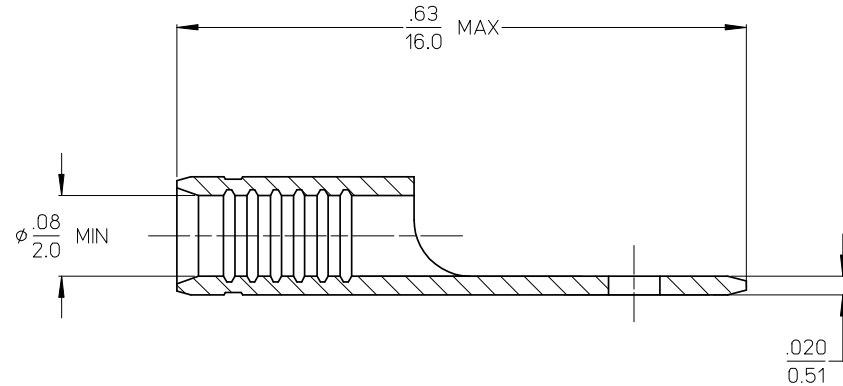
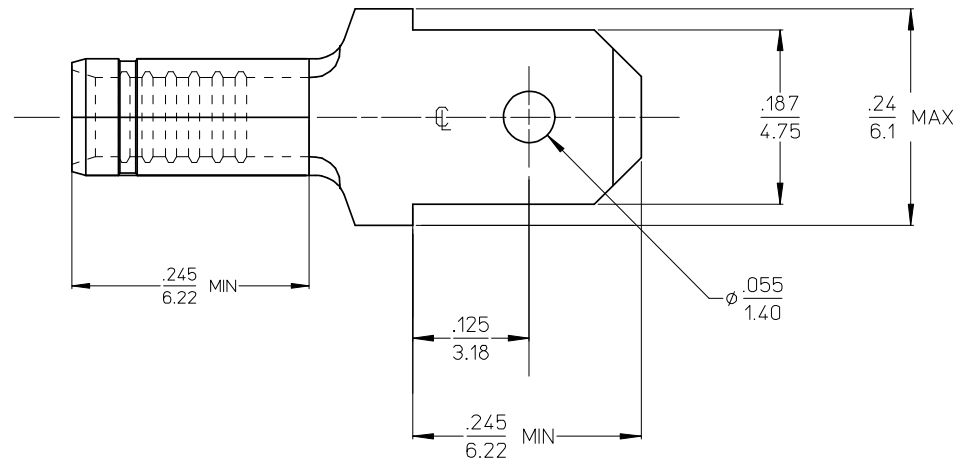
Address: A1208, Overseas Decoration Building, #122 Zhenhua RD., Futian, Shenzhen, China



	13	12	11	10	9	8	7	6	5	4	3	2	1
	MATERIAL NUMBER	ENGINEERING NUMBER	FINISH	CARRIER									
J	190220006	AMCT-17	ZINC CHROMATE PLATING	LOOSE PIECE									
	190220009	AMCT-17T	ZINC CHROMATE PLATING	TAPE MOUNTED									



190220009 (AMCT-17T)  
PARTS ON TAPE



- (A) NOTES:
1. MATERIAL: BRASS
  2. FINISH: SEE CHART
  3. WIRE SIZE: 22-18 AWG (0.38-0.96 mm<sup>2</sup>)
  4. TAB DIMENSIONS CONFORM TO UL310 SPECIFICATIONS.
  5. PART IS ROHS COMPLIANT.

CHANGED MATERIAL EC NO: ETC2007-0081 DRAWN:EHILE 2008/01/28 CHKD:JMACEIL 2008/01/28 APPR:JMACEIL 2008/02/13	QUALITY SYMBOLS ▽=0 ▽=0	GENERAL TOLERANCES (UNLESS SPECIFIED)		DIMENSION STYLE IN/MM	SCALE 10:1	DESIGN UNITS INCH	THIRD ANGLE PROJECTION
		4 PLACES ±--- ±---	3 PLACES ±--- ±.005	2 PLACES ±0.13 ±.01	1 PLACE ±0.25 ±---	ANGULAR ±---°	DRAWN BY GZ
A	REV	DRAFT WHERE APPLICABLE MUST REMAIN WITHIN DIMENSIONS		MATERIAL NO. SEE CHART	APPROVED BY	DATE	MOLEX INCORPORATED
				SIZE C	THIS DRAWING CONTAINS INFORMATION THAT IS PROPRIETARY TO MOLEX INCORPORATED AND SHOULD NOT BE USED WITHOUT WRITTEN PERMISSION		DOCUMENT NO. SD-19022-017
						SHEET NO. 1 OF 1	