



Chipsmall Limited consists of a professional team with an average of over 10 year of expertise in the distribution of electronic components. Based in Hongkong, we have already established firm and mutual-benefit business relationships with customers from,Europe,America and south Asia,supplying obsolete and hard-to-find components to meet their specific needs.

With the principle of “Quality Parts,Customers Priority,Honest Operation,and Considerate Service”,our business mainly focus on the distribution of electronic components. Line cards we deal with include Microchip,ALPS,ROHM,Xilinx,Pulse,ON,Everlight and Freescale. Main products comprise IC,Modules,Potentiometer,IC Socket,Relay,Connector.Our parts cover such applications as commercial,industrial, and automotives areas.

We are looking forward to setting up business relationship with you and hope to provide you with the best service and solution. Let us make a better world for our industry!



## Contact us

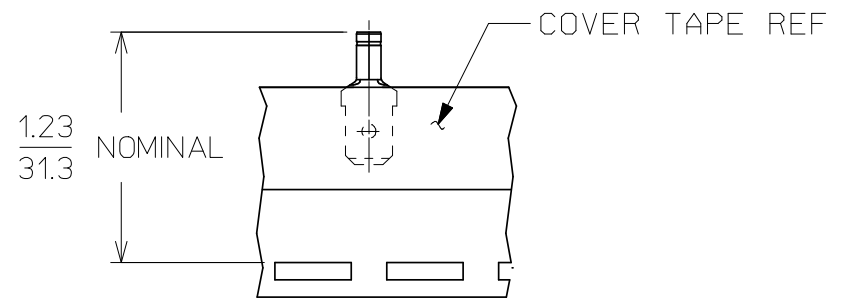
Tel: +86-755-8981 8866 Fax: +86-755-8427 6832

Email & Skype: info@chipsmall.com Web: www.chipsmall.com

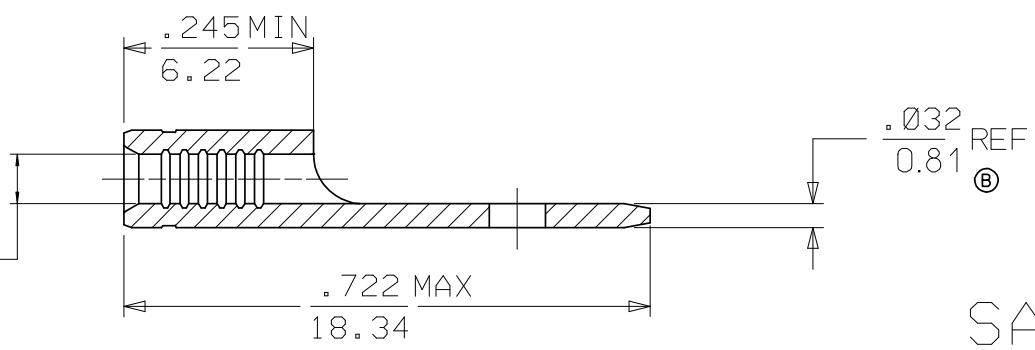
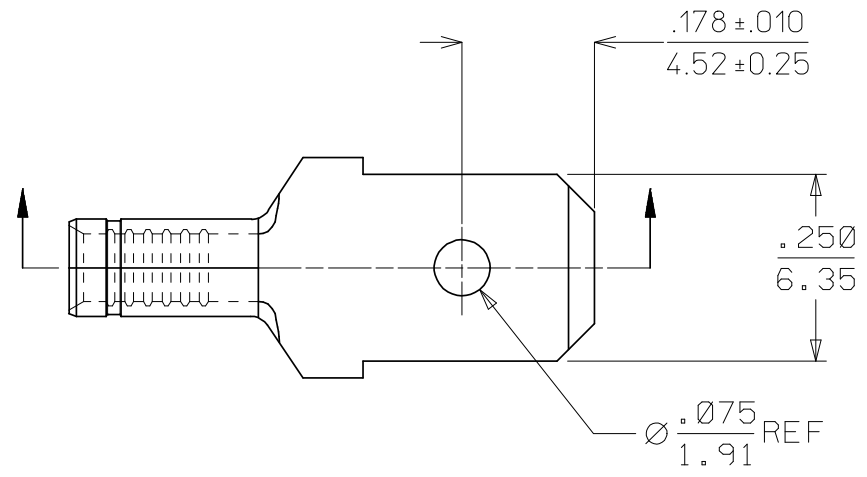
Address: A1208, Overseas Decoration Building, #122 Zhenhua RD., Futian, Shenzhen, China



MATERIAL NO.	ENGINEERING NO.	DESCRIPTION
190220018	MCT-1	ZINC CHROMATE PLATED
190220057 (B)	SPL-0040	TIN PLATED
190220026	MCT-1T	ZINC CHROMATE PLATED, TAPE MOUNTED



TAPE MOUNTING LOCATION FOR 190220026, MCT-1T



SALES DRAWING

- (B) NOTES:
1. MATERIAL: BRASS
  2. FINISH: SEE CHART
  3. WIRE SIZE: 16-14 AWG (1.23-1.94 mm<sup>2</sup>)
  4. TAB DIMENSIONS CONFORM TO UL310 SPECIFICATIONS.
  5. PART IS ROHS COMPLIANT.

DEL. NO.: ADD TIN PARTS EC. NO.: ETC2007-0081	DRW. DATE: 2008/01/28 CHKD.: JMACNEIL 2008/01/28 APPR.: JMACNEIL 2008/02/13	QUALITY SYMBOLS ▽=0 ▽=0	GENERAL TOLERANCES (UNLESS SPECIFIED)		DIMENSION STYLE IN/MM		SCALE 4:1	DESIGN UNITS INCH	THIRD ANGLE PROJECTION	
			mm	INCH	DRAWN BY R. STONE	DATE 2007/08/14	TITLE MALE CONNECTOR TERMINAL .250 X .032 TAB KRIMPTITE			
REV. B	DESCRIPTION		4 PLACES	± .005	± .005	CHECKED BY J. MACNEIL	DATE 2007/08/16	MOLEX MOLEX INCORPORATED		
			3 PLACES	± .005	± .005	APPROVED BY J. MACNEIL	DATE 2007/08/16			
			2 PLACES	± 0.13	± .01	DOCUMENT NO. SD-19022-011			SHEET NO. 1 OF 1	
			1 PLACE	± 0.25	± .01	DRAFT WHERE APPLICABLE MUST REMAIN WITHIN DIMENSIONS			SEE CHART	
			ANGULAR ± 1/2°		SIZE C			THIS DRAWING CONTAINS INFORMATION THAT IS PROPRIETARY TO MOLEX INCORPORATED AND SHOULD NOT BE USED WITHOUT WRITTEN PERMISSION		