



Chipsmall Limited consists of a professional team with an average of over 10 year of expertise in the distribution of electronic components. Based in Hongkong, we have already established firm and mutual-benefit business relationships with customers from,Europe,America and south Asia,supplying obsolete and hard-to-find components to meet their specific needs.

With the principle of “Quality Parts,Customers Priority,Honest Operation,and Considerate Service”,our business mainly focus on the distribution of electronic components. Line cards we deal with include Microchip,ALPS,ROHM,Xilinx,Pulse,ON,Everlight and Freescale. Main products comprise IC,Modules,Potentiometer,IC Socket,Relay,Connector.Our parts cover such applications as commercial,industrial, and automotives areas.

We are looking forward to setting up business relationship with you and hope to provide you with the best service and solution. Let us make a better world for our industry!



Contact us

Tel: +86-755-8981 8866 Fax: +86-755-8427 6832

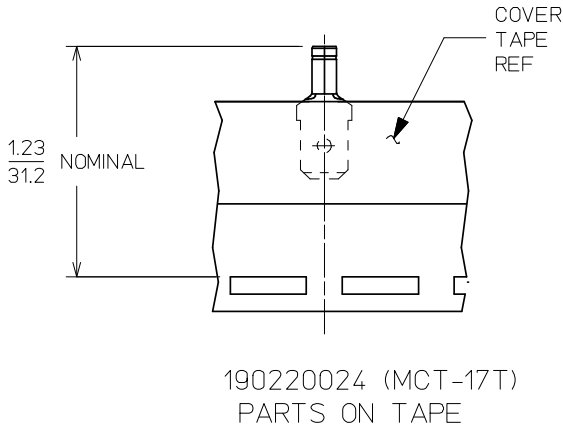
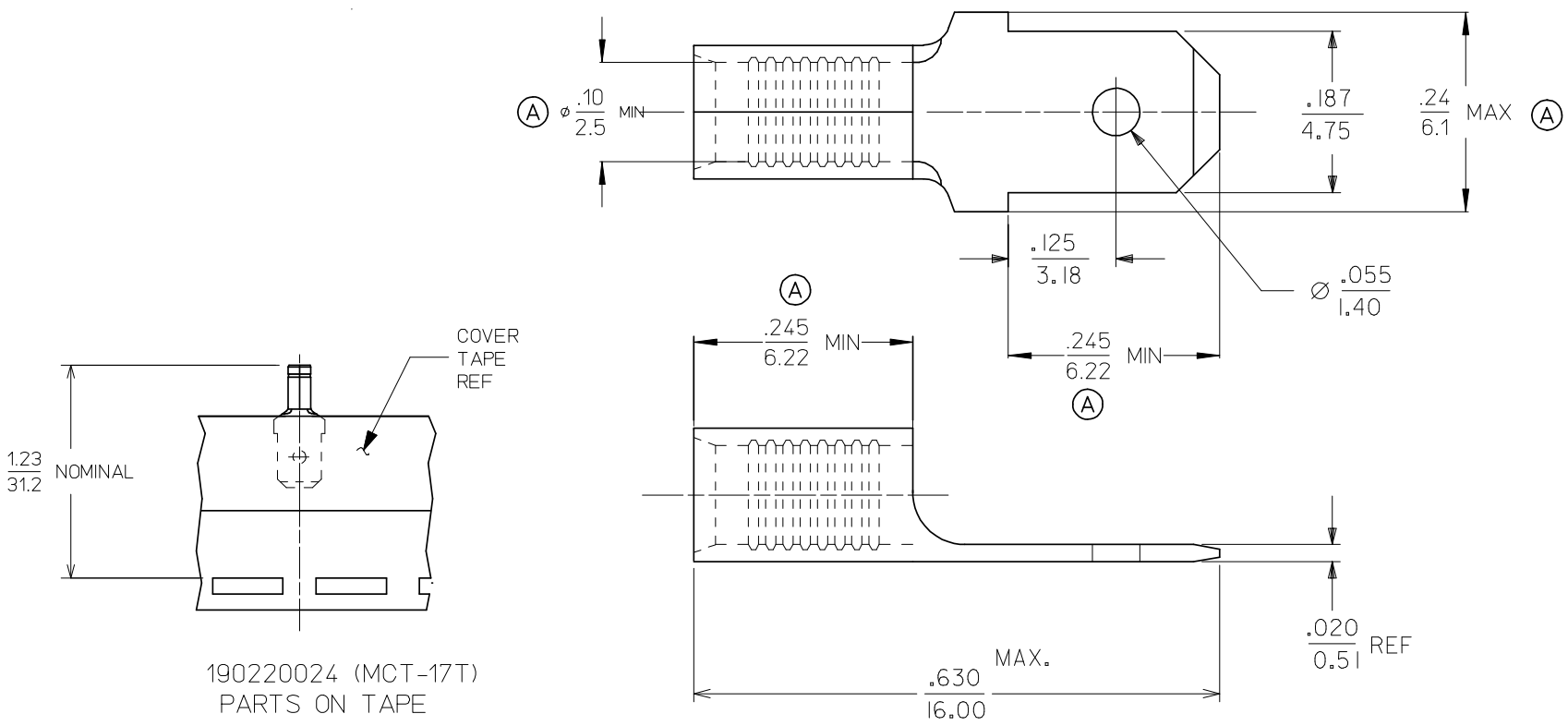
Email & Skype: info@chipsmall.com Web: www.chipsmall.com

Address: A1208, Overseas Decoration Building, #122 Zhenhua RD., Futian, Shenzhen, China



13 12 11 10 9 8 7 6 5 4 3 2 1

MATERIAL NUMBER	ENGINEERING NUMBER	FINISH	CARRIER
190220022	MCT-17	ZINC CHROMATE PLATING	LOOSE PIECE
190220024	MCT-17T	ZINC CHROMATE PLATING	TAPE MOUNTED



- A** NOTES:
1. MATERIAL: BRASS
 2. FINISH: SEE CHART
 3. WIRE SIZE: 16-14 AWG (1.23-1.94 mm²)
 4. TAB DIMENSIONS CONFORM TO UL310 SPECIFICATIONS.
 5. PART IS ROHS COMPLIANT.

CHANGED MATERIAL EC NO: ETC2007-0081 DRAWN:EHILE 2008/01/28 CHKD:JMACNEIL 2008/01/28 APPR:JMACNEIL 2008/02/13	QUALITY SYMBOLS ▽=0 ▽=0	GENERAL TOLERANCES (UNLESS SPECIFIED)		DIMENSION STYLE IN/MM	SCALE 10:1	DESIGN UNITS INCH	THIRD ANGLE PROJECTION					
		4 PLACES ± ---	mm	INCH	DRAWN BY EMF	DATE 1991/01/25	TITLE MALE CONNECTOR TERMINAL LONG BARREL .187 X .020 16-14 AWG					
A	REV	3 PLACES ± ---	± .005	2 PLACES ± 0.13	± .01	1 PLACE ± 0.25	± ---	APPROVED BY	DATE	MATERIAL NO. SEE CHART	DOCUMENT NO. SD-19022-007	SHEET NO. 1 OF 1
		ANGULAR ± ---°		DRAFT WHERE APPLICABLE MUST REMAIN WITHIN DIMENSIONS		THIS DRAWING CONTAINS INFORMATION THAT IS PROPRIETARY TO MOLEX INCORPORATED AND SHOULD NOT BE USED WITHOUT WRITTEN PERMISSION						

tb_frame_C_P_ME_T Rev. D 2004/04/02 12 11 10 9 8 7 6 5 4 3 2 1