



Chipsmall Limited consists of a professional team with an average of over 10 year of expertise in the distribution of electronic components. Based in Hongkong, we have already established firm and mutual-benefit business relationships with customers from,Europe,America and south Asia,supplying obsolete and hard-to-find components to meet their specific needs.

With the principle of “Quality Parts,Customers Priority,Honest Operation,and Considerate Service”,our business mainly focus on the distribution of electronic components. Line cards we deal with include Microchip,ALPS,ROHM,Xilinx,Pulse,ON,Everlight and Freescale. Main products comprise IC,Modules,Potentiometer,IC Socket,Relay,Connector.Our parts cover such applications as commercial,industrial, and automotives areas.

We are looking forward to setting up business relationship with you and hope to provide you with the best service and solution. Let us make a better world for our industry!



Contact us

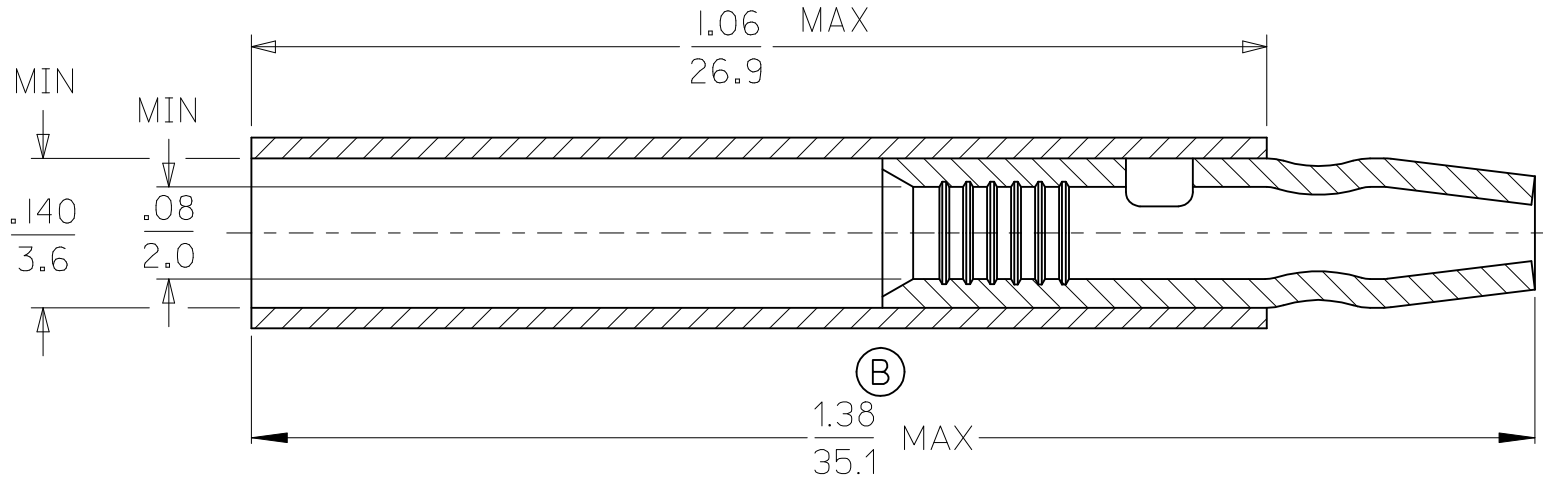
Tel: +86-755-8981 8866 Fax: +86-755-8427 6832

Email & Skype: info@chipsmall.com Web: www.chipsmall.com

Address: A1208, Overseas Decoration Building, #122 Zhenhua RD., Futian, Shenzhen, China



6	5	4	3	2	1
MATERIAL NO.	ENGINEERING P/N	DESCRIPTION:			
190340004	B-789	LOOSE PIECE BLUE INSULATION			



- NOTES:
1. MATERIAL: COPPER.
 2. PLATING: ELECTRO-TIN.
 3. INSULATION: NYLON
 - ④ 4. PART IS ROHS COMPLIANT.

CUSTOMER DRAWING

MAX LENGTH WAS 1.34 EC NO: WNA2008-0291 DRWN:ETHRODAHL 2008/09/23 CHKD:JMACNEIL 2008/09/23 APPR:JMACNEIL 2008/09/24	QUALITY SYMBOLS ▼=0 ◻=0	GENERAL TOLERANCES (UNLESS SPECIFIED)		DIMENSION STYLE	SCALE	DESIGN UNITS	THIRD ANGLE PROJECTION		
			mm	INCH	IN/MM	---	INCH	☉ □	
		4 PLACES	± ---	± ---	DRAWN BY	DATE	TITLE .156 MALE BULLET PLUG 16-14 AWG NYLAKRIMP BLUE		
		3 PLACES	± ---	± .005	JHACKNEY	1999/12/03			
2 PLACES	± 0.13	± .01	CHECKED BY	DATE	MOLEX INCORPORATED				
1 PLACE	± 0.25	± ---	RDEROSS	1999/12/03					
ANGULAR ± ---°		DRAFT WHERE APPLICABLE MUST REMAIN WITHIN DIMENSIONS		APPROVED BY	DATE	DOCUMENT NO.			
				RDEROSS	1999/12/03	SD-19034-002			
				MATERIAL NO.	SHEET NO.				
				SEE CHART	1 OF 1				
				SIZE	THIS DRAWING CONTAINS INFORMATION THAT IS PROPRIETARY TO MOLEX INCORPORATED AND SHOULD NOT BE USED WITHOUT WRITTEN PERMISSION				
				A					