



Chipsmall Limited consists of a professional team with an average of over 10 year of expertise in the distribution of electronic components. Based in Hongkong, we have already established firm and mutual-benefit business relationships with customers from,Europe,America and south Asia,supplying obsolete and hard-to-find components to meet their specific needs.

With the principle of “Quality Parts,Customers Priority,Honest Operation,and Considerate Service”,our business mainly focus on the distribution of electronic components. Line cards we deal with include Microchip,ALPS,ROHM,Xilinx,Pulse,ON,Everlight and Freescale. Main products comprise IC,Modules,Potentiometer,IC Socket,Relay,Connector.Our parts cover such applications as commercial,industrial, and automotives areas.

We are looking forward to setting up business relationship with you and hope to provide you with the best service and solution. Let us make a better world for our industry!



Contact us

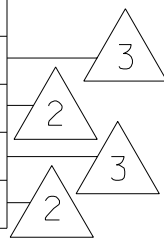
Tel: +86-755-8981 8866 Fax: +86-755-8427 6832

Email & Skype: info@chipsmall.com Web: www.chipsmall.com

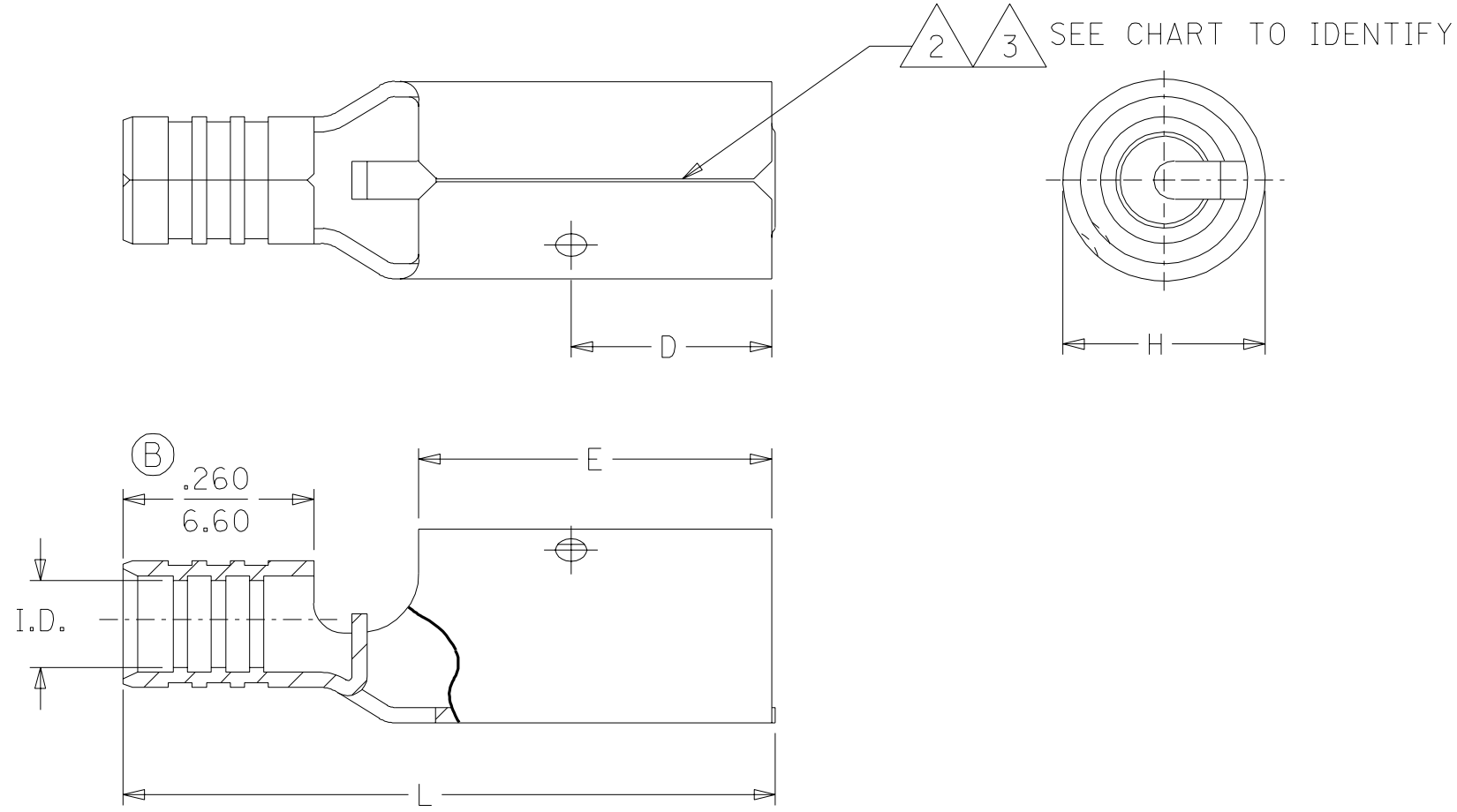
Address: A1208, Overseas Decoration Building, #122 Zhenhua RD., Futian, Shenzhen, China



MATERIAL NUMBER	ENGINEERING NUMBER	WIRE RANGE AWC	RANGE MM ²	FITS MALE PLUG DIA.	"L" MAX.	I.D. MIN.	"D" ±.01	H ±.01	"E" NOM.
190370002	AA-1121	22-18	0.25-1.3	.156/(3.96)	.63/(16.0)	.066/(1.68)	.125/(3.18)	.19/(4.8)	.31/(7.88)
190370015	AA-1120	22-18	0.25-1.3	.180/(4.57)	.69/(17.53)	.066/(1.68)	.210/(5.33)	.21/(5.3)	.37/(9.40)
190370004	BB-1122	16-14	1.0-2.6	.156/(3.96)	.63/(16.0)	.089/(2.26)	.125/(3.18)	.19/(4.8)	.31/(7.88)
190370006	BB-1123	16-14	1.0-2.6	.180/(4.57)	.69/(17.53)	.089/(2.26)	.210/(5.33)	.21/(5.3)	.37/(9.40)



(B)



NOTES;
 (B) 1. MATERIAL: .016/0.41 BRASS
 FINISH: ELECTRO-TIN PLATING
 2 SEAM IS FULLY CLOSED.
 3. SEAM HAS A .010 GAP NOMINAL.

DEL TAPE NO'S	EC NO. ETC2003-0201	DRWN: BRE 03/05/08	CH'K: HEB 03/05/08	APPR: RWD 03/05/08
B	REV	DESCRIPTION	QUALITY SYMBOLS	MAJOR = 0
			CRITICAL = 0	

GENERAL TOLERANCES: (UNLESS SPECIFIED)		SCALE NO: NE	DESIGN UNITS
4 PLACES	±0.	mm	INCH
3 PLACES	±0.	mm	INCH
2 PLACES	±0.3	mm	INCH
1 PLACE	±0.	mm	INCH
ANGULAR: ±1/2°		DRAWN BY & DATE	
DRAFT WHERE APPLICABLE MUST REMAIN WITHIN DIMENSIONS		BRE 02/08/12	
		CHECKED BY & DATE	
		HEB 02/08/12	
		APPROVED BY & DATE	
		RWD 02/08/12	
		CAD FILENAME	
		SD-19037-002 .DGN	

THIRD ANGLE PROJECTION	DIMENSIONS:	SHT	REV
<input checked="" type="checkbox"/> INCH	<input type="checkbox"/> mm		
<input type="checkbox"/> mm	<input type="checkbox"/> mm ONLY		
REVISE ON CAD ONLY			

TITLE: KRIMPTITE FEMALE BULLET RECEPTACLE		
MOLEX INCORPORATED		
MATERIAL NO.	DRAWING NO.	SHEET NO.
SEE CHART	SD-19037-002	1 OF 1
THIS DRAWING CONTAINS INFORMATION THAT IS PROPRIETARY TO MOLEX INCORPORATED AND SHOULD NOT BE USED WITHOUT WRITTEN PERMISSION.		SIZE B