



Chipsmall Limited consists of a professional team with an average of over 10 year of expertise in the distribution of electronic components. Based in Hongkong, we have already established firm and mutual-benefit business relationships with customers from,Europe,America and south Asia,supplying obsolete and hard-to-find components to meet their specific needs.

With the principle of “Quality Parts,Customers Priority,Honest Operation,and Considerate Service”,our business mainly focus on the distribution of electronic components. Line cards we deal with include Microchip,ALPS,ROHM,Xilinx,Pulse,ON,Everlight and Freescale. Main products comprise IC,Modules,Potentiometer,IC Socket,Relay,Connector.Our parts cover such applications as commercial,industrial, and automotives areas.

We are looking forward to setting up business relationship with you and hope to provide you with the best service and solution. Let us make a better world for our industry!



Contact us

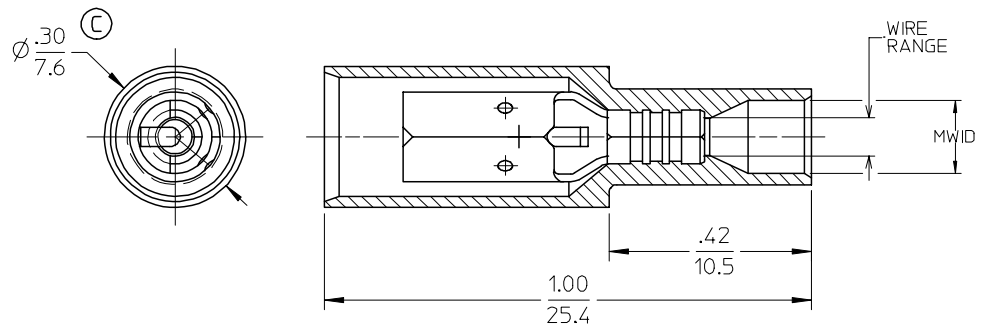
Tel: +86-755-8981 8866 Fax: +86-755-8427 6832

Email & Skype: info@chipsmall.com Web: www.chipsmall.com

Address: A1208, Overseas Decoration Building, #122 Zhenhua RD., Futian, Shenzhen, China



| MATERIAL NO. NYLON | ENGINEERING NO. NYLON | INSULATION NYLON COLOR | MATERIAL NO. PVC | ENGINEERING NO. PVC | INSULATION PVC COLOR | WIRE RANGE AWG / MM ² | MWID | FITS MALE PLUG DIA. |
|--------------------|-----------------------|------------------------|------------------|---------------------|----------------------|----------------------------------|-------------|---------------------|
| 190380037 | BRA-2156N | LIGHT RED | 190380001 | BRA-2156 | RED | 22-18 / 0.25-1.3 | .128/(3.25) | .156/(3.96) |
| 190380006 | BRA-2180N | LIGHT RED | 190380004 | BRA-2180 | RED | 22-18 / 0.25-1.3 | .128/(3.25) | .180/(4.57) |
| 190380009 | BRB-2156N | LIGHT BLUE | 190380007 | BRB-2156 | DARK BLUE | 16-14 / 1.0-2.6 | .150/(3.81) | .156/(3.96) |
| 190380013 | BRB-2180N | LIGHT BLUE | 190380011 | BRB-2180 | DARK BLUE | 16-14 / 1.0-2.6 | .150/(3.81) | .180/(4.57) |



SALES DRAWING

NOTE(S):

1. RECEPTACLE MATERIAL: .016/(0.41) THK BRASS
2. RECEPTACLE FINISH: TIN PLATING
3. MWID = MAXIMUM WIRE INSULATION DIAMETER
4. ALL COMPONENTS ARE ROHS COMPLIANT.

| REVISE DIM. EC NO: ETC2006-0450 DRWN: CYORK 2006/05/23 CHKD: JMACNEIL 2006/05/24 APPR: RDEROSS 2006/05/24 | QUALITY SYMBOLS | GENERAL TOLERANCES (UNLESS SPECIFIED) | SCALE 5:1 | DESIGN UNITS INCH | THIRD ANGLE PROJECTION | REVISE ON CAD ONLY | | | | | | | | | | | | | | | |
|---|---|--|---|-------------------|------------------------|--------------------|-------|-------|----------|-------|--------|----------|--------|-------|---------|--------|-------|-----------------------|-------|---|--|
| | DESCRIPTION | <table border="1"> <thead> <tr> <th></th> <th>mm</th> <th>INCH</th> </tr> </thead> <tbody> <tr> <td>4 PLACES</td> <td>± ---</td> <td>± ---</td> </tr> <tr> <td>3 PLACES</td> <td>± ---</td> <td>± .005</td> </tr> <tr> <td>2 PLACES</td> <td>± 0.13</td> <td>± .01</td> </tr> <tr> <td>1 PLACE</td> <td>± 0.25</td> <td>± ---</td> </tr> </tbody> </table> ANGULAR ±1/2° | | mm | INCH | 4 PLACES | ± --- | ± --- | 3 PLACES | ± --- | ± .005 | 2 PLACES | ± 0.13 | ± .01 | 1 PLACE | ± 0.25 | ± --- | DIMENSION STYLE IN/MM | TITLE | FULLY INSULATED INSULK FEMALE BULLET RECEPTACLE | |
| | | mm | INCH | | | | | | | | | | | | | | | | | | |
| | 4 PLACES | ± --- | ± --- | | | | | | | | | | | | | | | | | | |
| 3 PLACES | ± --- | ± .005 | | | | | | | | | | | | | | | | | | | |
| 2 PLACES | ± 0.13 | ± .01 | | | | | | | | | | | | | | | | | | | |
| 1 PLACE | ± 0.25 | ± --- | | | | | | | | | | | | | | | | | | | |
| REV | DRAFT WHERE APPLICABLE MUST REMAIN WITHIN DIMENSIONS | DRAWN BY DATE DAY 97/07/07 CHECKED BY DATE RWD 97/07/07 APPROVED BY DATE RWD 97/07/07 | MATERIAL NO. SEE CHART DOCUMENT NO. SD-19038-001 SHEET NO. 1 OF 1 | | MOLEX INCORPORATED | | | | | | | | | | | | | | | | |
| THIS DRAWING CONTAINS INFORMATION THAT IS PROPRIETARY TO MOLEX INCORPORATED AND SHOULD NOT BE USED WITHOUT WRITTEN PERMISSION | | | | | | | | | | | | | | | | | | | | | |