



Chipsmall Limited consists of a professional team with an average of over 10 year of expertise in the distribution of electronic components. Based in Hongkong, we have already established firm and mutual-benefit business relationships with customers from,Europe,America and south Asia,supplying obsolete and hard-to-find components to meet their specific needs.

With the principle of “Quality Parts,Customers Priority,Honest Operation,and Considerate Service”,our business mainly focus on the distribution of electronic components. Line cards we deal with include Microchip,ALPS,ROHM,Xilinx,Pulse,ON,Everlight and Freescale. Main products comprise IC,Modules,Potentiometer,IC Socket,Relay,Connector.Our parts cover such applications as commercial,industrial, and automotives areas.

We are looking forward to setting up business relationship with you and hope to provide you with the best service and solution. Let us make a better world for our industry!



## Contact us

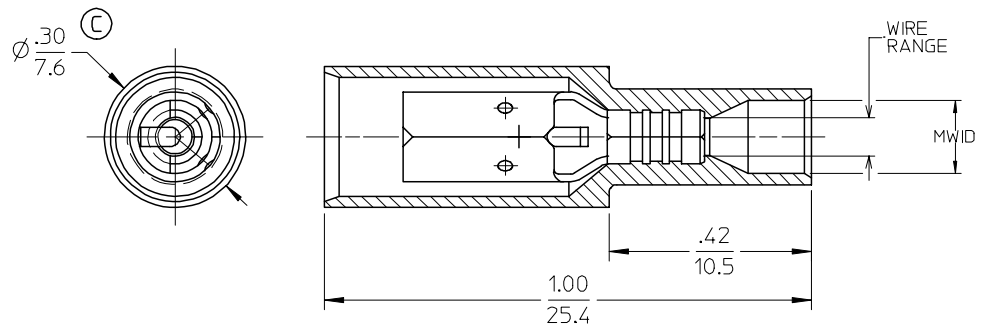
Tel: +86-755-8981 8866 Fax: +86-755-8427 6832

Email & Skype: info@chipsmall.com Web: www.chipsmall.com

Address: A1208, Overseas Decoration Building, #122 Zhenhua RD., Futian, Shenzhen, China



MATERIAL NO. NYLON	ENGINEERING NO. NYLON	INSULATION NYLON COLOR	MATERIAL NO. PVC	ENGINEERING NO. PVC	INSULATION PVC COLOR	WIRE RANGE AWG / MM <sup>2</sup>	MWID	FITS MALE PLUG DIA.
190380037	BRA-2156N	LIGHT RED	190380001	BRA-2156	RED	22-18 / 0.25-1.3	.128/(3.25)	.156/(3.96)
190380006	BRA-2180N	LIGHT RED	190380004	BRA-2180	RED	22-18 / 0.25-1.3	.128/(3.25)	.180/(4.57)
190380009	BRB-2156N	LIGHT BLUE	190380007	BRB-2156	DARK BLUE	16-14 / 1.0-2.6	.150/(3.81)	.156/(3.96)
190380013	BRB-2180N	LIGHT BLUE	190380011	BRB-2180	DARK BLUE	16-14 / 1.0-2.6	.150/(3.81)	.180/(4.57)



# SALES DRAWING

**NOTE(S):**

1. RECEPTACLE MATERIAL: .016/(0.41) THK BRASS
2. RECEPTACLE FINISH: TIN PLATING
3. MWID = MAXIMUM WIRE INSULATION DIAMETER
4. ALL COMPONENTS ARE ROHS COMPLIANT.

REVISE DIM. EC NO: ETC2006-0450 DRWN: CYORK 2006/05/23 CHKD: JMACNEIL 2006/05/24 APPR: RDEROSS 2006/05/24	QUALITY SYMBOLS	GENERAL TOLERANCES (UNLESS SPECIFIED)	SCALE 5:1	DESIGN UNITS INCH	THIRD ANGLE PROJECTION	REVISE ON CAD ONLY															
	DESCRIPTION	<table border="1"> <thead> <tr> <th></th> <th>mm</th> <th>INCH</th> </tr> </thead> <tbody> <tr> <td>4 PLACES</td> <td>± ---</td> <td>± ---</td> </tr> <tr> <td>3 PLACES</td> <td>± ---</td> <td>± .005</td> </tr> <tr> <td>2 PLACES</td> <td>± 0.13</td> <td>± .01</td> </tr> <tr> <td>1 PLACE</td> <td>± 0.25</td> <td>± ---</td> </tr> </tbody> </table> ANGULAR ±1/2°		mm	INCH	4 PLACES	± ---	± ---	3 PLACES	± ---	± .005	2 PLACES	± 0.13	± .01	1 PLACE	± 0.25	± ---	DIMENSION STYLE IN/MM	TITLE	FULLY INSULATED INSULK FEMALE BULLET RECEPTACLE	
		mm	INCH																		
	4 PLACES	± ---	± ---																		
3 PLACES	± ---	± .005																			
2 PLACES	± 0.13	± .01																			
1 PLACE	± 0.25	± ---																			
REV	DRAFT WHERE APPLICABLE MUST REMAIN WITHIN DIMENSIONS	DRAWN BY DATE DAY 97/07/07 CHECKED BY DATE RWD 97/07/07 APPROVED BY DATE RWD 97/07/07	MOLEX INCORPORATED MATERIAL NO. SEE CHART DOCUMENT NO. SD-19038-001 SHEET NO. 1 OF 1																		
THIS DRAWING CONTAINS INFORMATION THAT IS PROPRIETARY TO MOLEX INCORPORATED AND SHOULD NOT BE USED WITHOUT WRITTEN PERMISSION						B															