



Chipsmall Limited consists of a professional team with an average of over 10 year of expertise in the distribution of electronic components. Based in Hongkong, we have already established firm and mutual-benefit business relationships with customers from,Europe,America and south Asia,supplying obsolete and hard-to-find components to meet their specific needs.

With the principle of "Quality Parts,Customers Priority,Honest Operation,and Considerate Service",our business mainly focus on the distribution of electronic components. Line cards we deal with include Microchip,ALPS,ROHM,Xilinx,Pulse,ON,Everlight and Freescale. Main products comprise IC,Modules,Potentiometer,IC Socket,Relay,Connector.Our parts cover such applications as commercial,industrial, and automotives areas.

We are looking forward to setting up business relationship with you and hope to provide you with the best service and solution. Let us make a better world for our industry!



Contact us

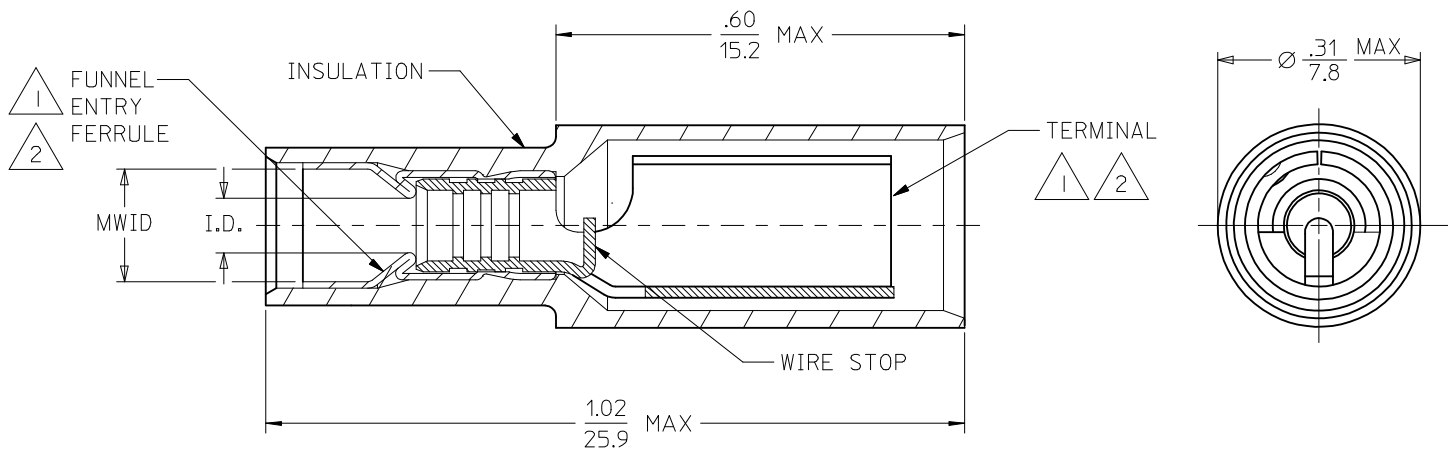
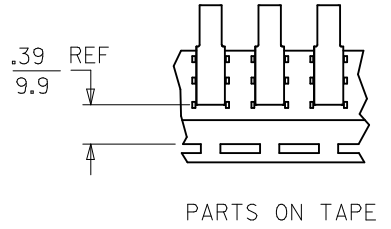
Tel: +86-755-8981 8866 Fax: +86-755-8427 6832

Email & Skype: info@chipsmall.com Web: www.chipsmall.com

Address: A1208, Overseas Decoration Building, #122 Zhenhua RD., Futian, Shenzhen, China



MATERIAL NUMBER	ENGINEERING NUMBER	TAPE MATERIAL NUMBER	TAPE ENGINEERING NUMBER	WIRE RANGE AWG	MM ²	INSULATION HOUSING MATERIAL	INSULATION COLOR	FITS MALE PLUG DIA.	I.D. (B2) MIN.	MWID
190390001	BRA-8156	190390026	BRA-8156T	22-18	0.25-1.3	PVC	RED	.156/(3.96)	.062/(1.57)	.125/(3.18)
190390002	BRA-8156N	190390015	BRA-8156NT	22-18	0.25-1.3	NYLON	LIGHT RED	.156/(3.96)	.062/(1.57)	.125/(3.18)
190390003	BRA-8156NDK			22-18	0.25-1.3	NYLON	DARK RED	.156/(3.96)	.062/(1.57)	.125/(3.18)
190390004	BRA-8180	190390029	BRA-8180T	22-18	0.25-1.3	PVC	RED	.180/(4.57)	.062/(1.57)	.125/(3.18)
190390005	BRA-8180N	190390017	BRA-8180NT	22-18	0.25-1.3	NYLON	RED	.180/(4.57)	.062/(1.57)	.125/(3.18)
190390006	BRB-8156	190390023	BRB-8156T	16-14	1.0-2.6	PVC	BLUE	.156/(3.96)	.085/(2.16)	.145/(3.68)
190390007	BRB-8156N	190390016	BRB-8156NT	16-14	1.0-2.6	NYLON	LIGHT BLUE	.156/(3.96)	.085/(2.16)	.145/(3.68)
190390008	BRB-8156NDK			16-14	1.0-2.6	NYLON	DARK BLUE	.156/(3.96)	.085/(2.16)	.145/(3.68)
190390009	BRB-8180	190390030	BRB-8180T	16-14	1.0-2.6	PVC	BLUE	.180/(4.57)	.085/(2.16)	.145/(3.68)
190390010	BRB-8180N	190390018	BRB-8180NT	16-14	1.0-2.6	NYLON	BLUE	.180/(4.57)	.085/(2.16)	.145/(3.68)



- NOTES:
- 1. MATERIAL: BRASS
 - 2. FINISH: ELECTRO-TIN PLATING
 - 3. INSULATION MATERIAL: SEE CHART
 - 4. MWID - MAXIMUM WIRE INSULATION DIAMETER
 - 5. PARTS ARE ROHS COMPLIANT.

SALES DRAWING

BRA ID TOLERANCE EC NO: WNA2012-0253 /DRW:ETHRODAHL 2011/11/16 /CHKD:JMACNEIL 2011/11/16 /APPR:JMACNEIL 2014/02/07	QUALITY SYMBOLS	GENERAL TOLERANCES (UNLESS SPECIFIED)	DIMENSION STYLE	SCALE	DESIGN UNITS	THIRD ANGLE PROJECTION
	▽=0 ∇=0	mm INCH 4 PLACES ± --- ± --- 3 PLACES ± --- ± .005 2 PLACES ± 0.13 ± .01 1 PLACE ± 0.25 ± --- ANGULAR ± ---°	IN/MM	---	INCH	THIRD ANGLE PROJECTION
	DESCRIPTION	DRAFT WHERE APPLICABLE MUST REMAIN WITHIN DIMENSIONS	DRAWN BY DATE	TITLE		
	B2		BRE 2002/07/15	AVIKRIMP FEMALE BULLET RECEPTACLE		
		HEB 2002/07/15	MOLEX INCORPORATED			
		JMACNEIL 2010/11/11	DOCUMENT NO. SD-19039-001			
		MATERIAL NO.	SHEET NO. 1 OF 1			
		SIZE B	THIS DRAWING CONTAINS INFORMATION THAT IS PROPRIETARY TO MOLEX INCORPORATED AND SHOULD NOT BE USED WITHOUT WRITTEN PERMISSION			