



Chipsmall Limited consists of a professional team with an average of over 10 year of expertise in the distribution of electronic components. Based in Hongkong, we have already established firm and mutual-benefit business relationships with customers from,Europe,America and south Asia,supplying obsolete and hard-to-find components to meet their specific needs.

With the principle of “Quality Parts,Customers Priority,Honest Operation,and Considerate Service”,our business mainly focus on the distribution of electronic components. Line cards we deal with include Microchip,ALPS,ROHM,Xilinx,Pulse,ON,Everlight and Freescale. Main products comprise IC,Modules,Potentiometer,IC Socket,Relay,Connector.Our parts cover such applications as commercial,industrial, and automotives areas.

We are looking forward to setting up business relationship with you and hope to provide you with the best service and solution. Let us make a better world for our industry!



Contact us

Tel: +86-755-8981 8866 Fax: +86-755-8427 6832

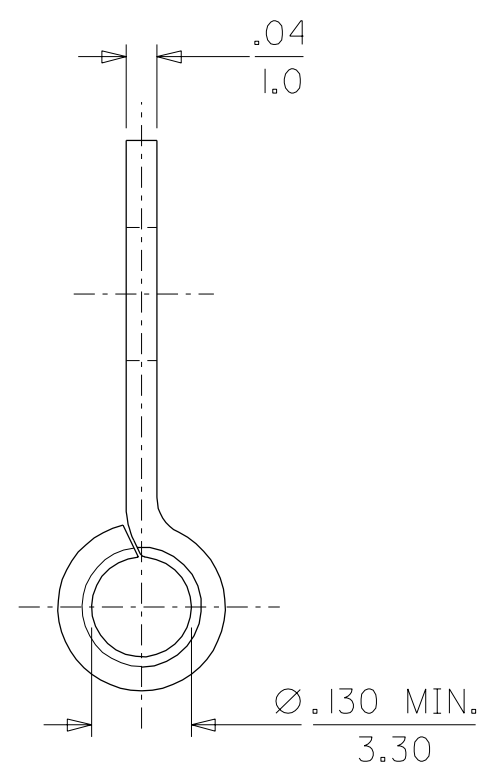
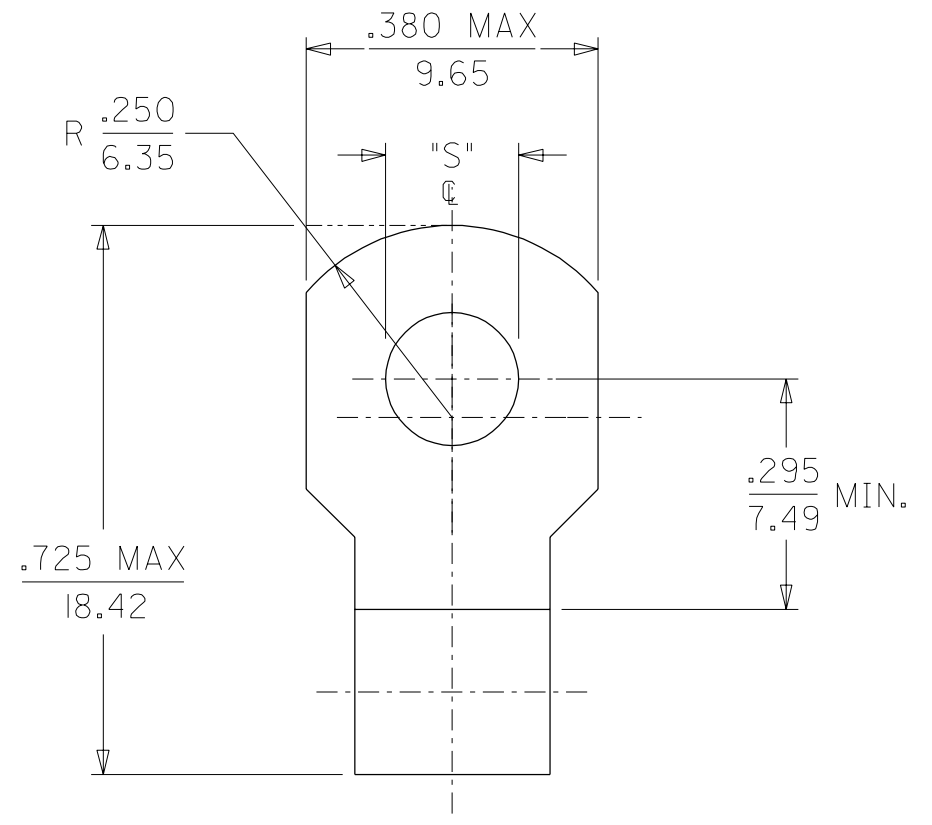
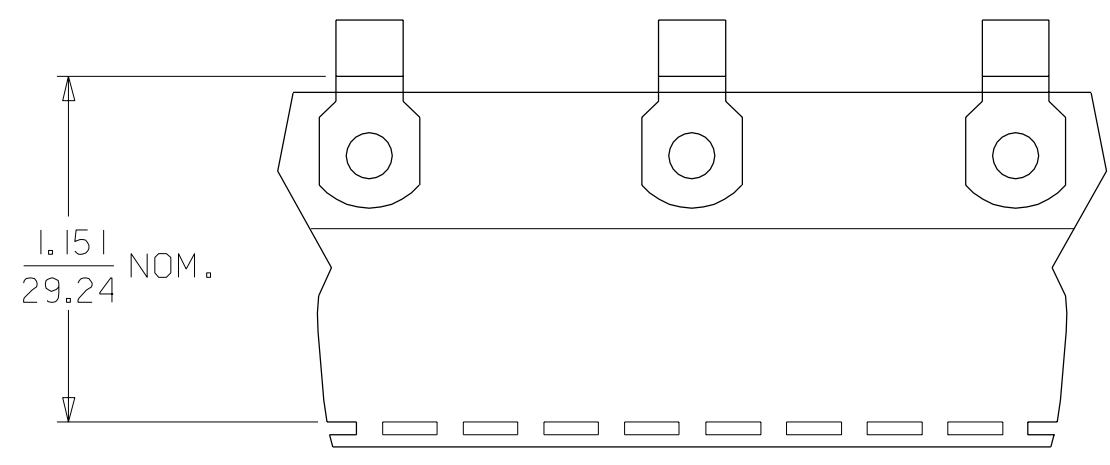
Email & Skype: info@chipsmall.com Web: www.chipsmall.com

Address: A1208, Overseas Decoration Building, #122 Zhenhua RD., Futian, Shenzhen, China



MATERIAL NUMBER	ENGINEERING NUMBER	STUD SIZE	"S" ±.002	DESCRIPTION
190410013	C-144-06	6	.146 (3.70)	LOOSE PIECE
190410014	C-144-08	8	.173 (4.39)	
190410015	C-144-10	10	.198 (5.03)	
190410016	C-144-14	14	.265 (6.73)	BRAZED SEAM (LOOSE PIECE)
190410033	C-344-06	6	.146 (3.70)	
190410034	C-344-08	8	.173 (4.39)	
190410035	C-344-10	10	.198 (5.03)	BRAZED SEAM (TAPE MOUNTED)
190410036	C-344-14	14	.265 (6.73)	
190410037	C-344-06T	6	.146 (3.70)	
190410038	C-344-08T	8	.173 (4.39)	
190410039	C-344-10T	10	.198 (5.03)	
190410040	C-344-14T	14	.265 (6.73)	

NOTE(S):
 1. MATERIAL: COPPER.
 PLATING: ELECTROPLATE TIN.
 2. ALL DIMENSIONS IN INCHES/(M/M).



SALES DRAWING

RELEASE TO BUILD EC NO. ETC2001-0405 DRWN: DLM 01/07/12 CHK: SB 01/07/12 APPR: RWD 01/07/12	QUALITY SYMBOLS	GENERAL TOLERANCES: (UNLESS SPECIFIED)	SCALE NTS	DESIGN UNITS <input type="checkbox"/> mm <input checked="" type="checkbox"/> INCH	THIRD ANGLE PROJECTION <input checked="" type="checkbox"/> THIRD ANGLE <input type="checkbox"/> FIRST ANGLE	DIMENSIONS: <input type="checkbox"/> mm <input checked="" type="checkbox"/> INCH <input type="checkbox"/> mm ONLY	SHT	REV	
	MAJOR = ∇	mm INCH	4 PLACES ±0.----- ±.-----	DRAWN BY & DATE	TITLE:				
	CRITICAL = ∇	4 PLACES ±0.----- ±.-----	3 PLACES ±0. --- ±.005	CHECKED BY & DATE	FLAG RING TERMINAL				
		2 PLACES ±0.13 ±.01	1 PLACE ±0.25 ±.-----	APPROVED BY & DATE	KRIMPTITE & VERSAKRIMP				
	ANGULAR: ±1/2°		RWD 01/07/12	12-10 AWG					
		DRAFT WHERE APPLICABLE MUST REMAIN WITHIN DIMENSIONS	CAD FILENAME	MATERIAL NO.	DRAWING NO.	SHEET NO.			
			SD19041001.DGN	(SEE CHART)	SD-19041-001	1 OF 1			
			THIS DRAWING CONTAINS INFORMATION THAT IS PROPRIETARY TO MOLEX INCORPORATED AND SHOULD NOT BE USED WITHOUT WRITTEN PERMISSION.				SIZE B		