



Chipsmall Limited consists of a professional team with an average of over 10 year of expertise in the distribution of electronic components. Based in Hongkong, we have already established firm and mutual-benefit business relationships with customers from,Europe,America and south Asia,supplying obsolete and hard-to-find components to meet their specific needs.

With the principle of “Quality Parts,Customers Priority,Honest Operation,and Considerate Service”,our business mainly focus on the distribution of electronic components. Line cards we deal with include Microchip,ALPS,ROHM,Xilinx,Pulse,ON,Everlight and Freescale. Main products comprise IC,Modules,Potentiometer,IC Socket,Relay,Connector.Our parts cover such applications as commercial,industrial, and automotives areas.

We are looking forward to setting up business relationship with you and hope to provide you with the best service and solution. Let us make a better world for our industry!



## Contact us

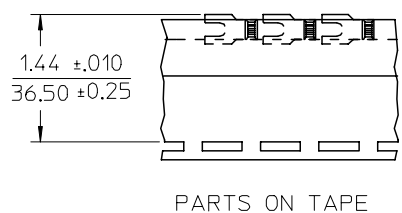
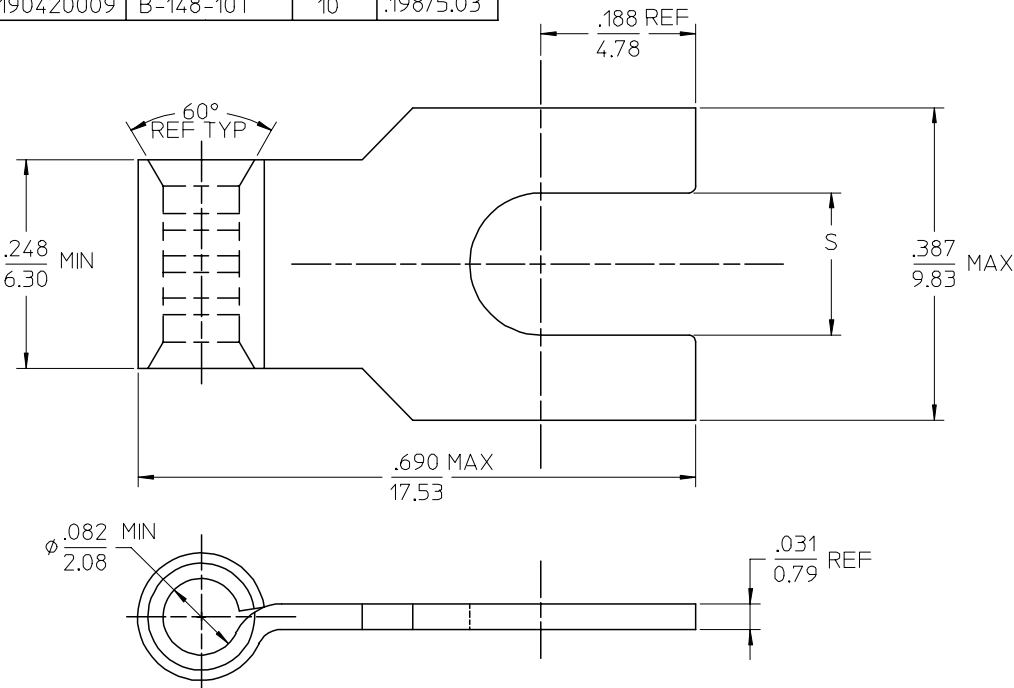
Tel: +86-755-8981 8866 Fax: +86-755-8427 6832

Email & Skype: info@chipsmall.com Web: www.chipsmall.com

Address: A1208, Overseas Decoration Building, #122 Zhenhua RD., Futian, Shenzhen, China



MATERIAL NUMBER	ENGINEERING NUMBER	TAPE MATERIAL NUMBER	TAPE ENGINEERING NUMBER	STUD SIZE	S ±.005/0.13
190420004	B-148-06	190420005	B-148-06T	06	.146/3.71
190420006	B-148-08	190420007	B-148-08T	08	.173/4.39
190420008	B-148-10	190420009	B-148-10T	10	.198/5.03



SALES DRAWING

- NOTES:  
 1. MATERIAL: COPPER  
 PLATING ELECTRO TIN.

NEW RELEASE EC NO: ETC2005-0122 DRW: BENDERLE 2005/02/15 CHKDR: DEROSS 2005/02/15 APPR: RDEROSS 2005/02/15	DESCRIPTION REV: A	QUALITY SYMBOLS ▽=0 ▽=0	GENERAL TOLERANCES (UNLESS SPECIFIED)		DIMENSION STYLE IN/MM	SCALE 4:1	DESIGN UNITS INCH	THIRD ANGLE PROJECTION		
		4 PLACES ± --- ± --- 3 PLACES ± --- ± --- 2 PLACES ± --- ± --- 1 PLACE ± --- ± ---	mm INCH	DRAWN BY BENDERLE	DATE 2005/02/01	TITLE FLAG SPADE TONGUE TERMINAL KRIMPTITE 16-14 AWG				
		ANGULAR ± --- °	DRAFT WHERE APPLICABLE MUST REMAIN WITHIN DIMENSIONS	CHECKED BY RDEROSS	DATE 2005/02/01	APPROVED BY RDEROSS				
		MATERIAL NO. SEE CHART	DOCUMENT NO. SD-19042-001	MOLEX INCORPORATED			SHEET NO. 1 OF 1			