



Chipsmall Limited consists of a professional team with an average of over 10 year of expertise in the distribution of electronic components. Based in Hongkong, we have already established firm and mutual-benefit business relationships with customers from,Europe,America and south Asia,supplying obsolete and hard-to-find components to meet their specific needs.

With the principle of “Quality Parts,Customers Priority,Honest Operation,and Considerate Service”,our business mainly focus on the distribution of electronic components. Line cards we deal with include Microchip,ALPS,ROHM,Xilinx,Pulse,ON,Everlight and Freescale. Main products comprise IC,Modules,Potentiometer,IC Socket,Relay,Connector.Our parts cover such applications as commercial,industrial, and automotives areas.

We are looking forward to setting up business relationship with you and hope to provide you with the best service and solution. Let us make a better world for our industry!



Contact us

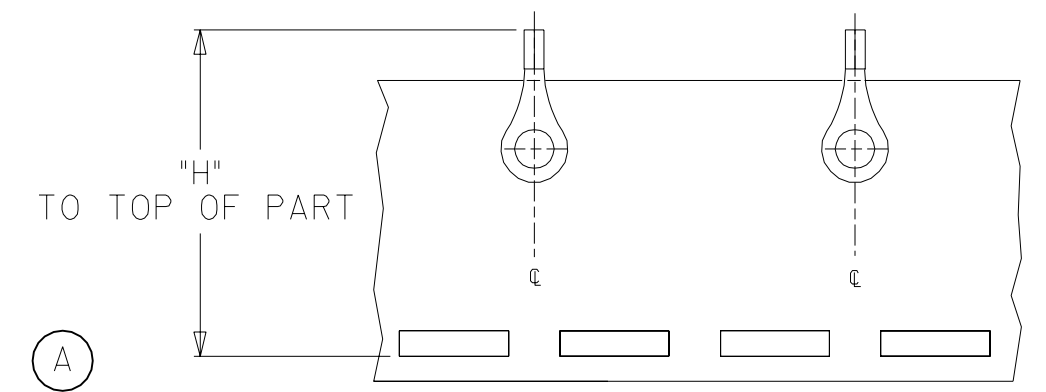
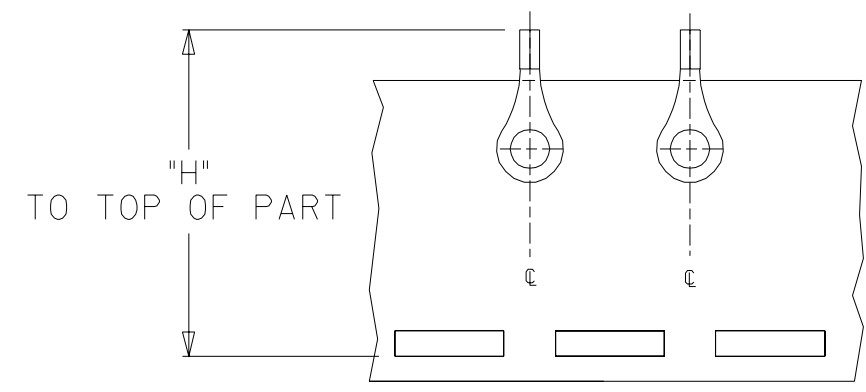
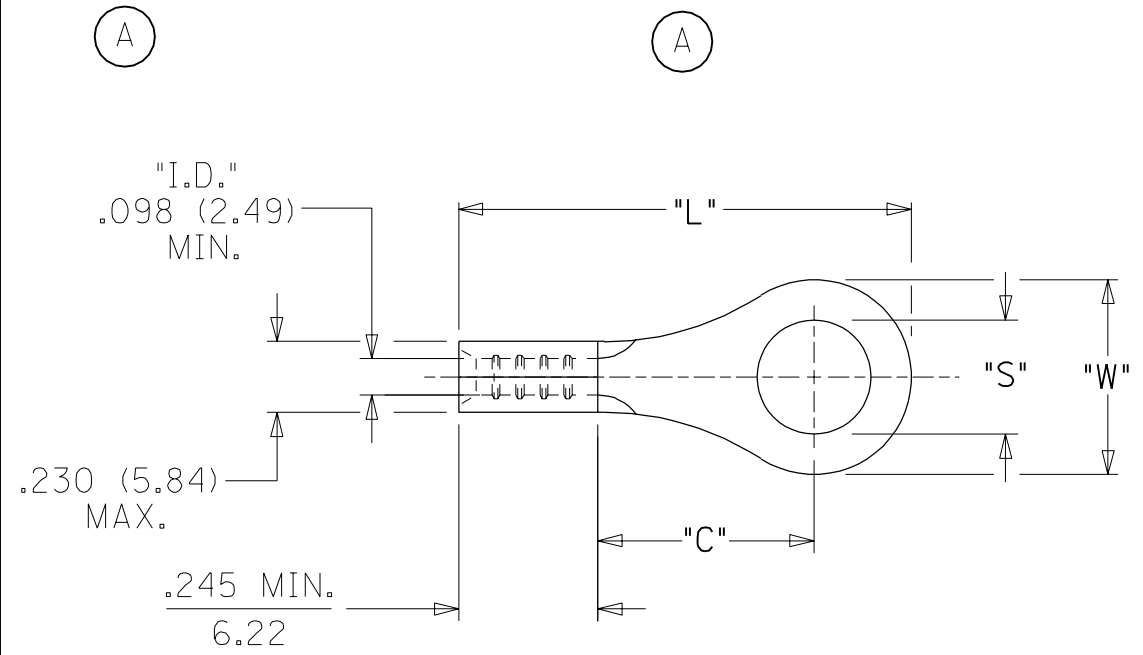
Tel: +86-755-8981 8866 Fax: +86-755-8427 6832

Email & Skype: info@chipsmall.com Web: www.chipsmall.com

Address: A1208, Overseas Decoration Building, #122 Zhenhua RD., Futian, Shenzhen, China



MATERIAL NO. LOOSE PIECE	ENG. NO.	MATERIAL NO. TAPE MOUNTED	ENG. NO.	STUD SIZE	±.003 "S"	"W" MAX. (A)	"C" MIN.	"L" MAX.	"H" ±.020/0.51 (A)
190440137	B-101-12HD	190440138	B-101-12HDT	12	.515 (13.10)	.760 (19.30)	.611 (15.52)	1.280 (32.51)	1.556 (39.52)
190440139	B-101-14HD	-----	-----	14	.265 (6.73)				
190440140	B-101-38HD	-----	-----	38	.390 (9.91)				
190440141	B-101-56HD	-----	-----	56	.328 (8.33)				
190440142	B-101-76HD	190440229	B-101-76HDT	76	.453 (11.51)				
190440161	B-128-06HD	-----	-----	6	.146 (3.71)	.385 (9.78)	.303 (7.70)	.785 (19.94)	
190440162	B-128-08HD	-----	-----	8	.173 (4.39)				
190440163	B-128-10HD	190440164	B-128-10HDT	10	.198 (5.03)				
190440166	B-130-10HD	190440022	B-130-10HDT	10	.198 (5.03)	.540 (13.72)	.393 (9.98)	.952 (24.18)	1.234 (31.34)
190440167	B-130-14HD	190440023	B-130-14HDT	14	.265 (6.73)				
190440168	B-130-56HD	190440024	B-130-56HDT	56	.328 (8.33)	.292 (7.42)	(A) .303 (7.70)	.741 (18.82)	
190440172	B-136-04HD	-----	-----	4	.119 (3.02)				
190440173	B-136-06HD	190440026	B-136-06HDT	6	.146 (3.71)				
190440174	B-136-08HD	190440027	B-136-08HDT	8	.173 (4.39)				
190440180	B-140-10HD	-----	-----	10	.198 (5.03)	.598 (15.19)	.466 (11.84)	1.056 (26.82)	1.426 (36.22)
190440182	B-140-14HD	190440183	B-140-14HDT	14	.265 (6.73)				
190440184	B-140-38HD	190440185	B-140-38HDT	38	.390 (9.91)				
190440186	B-140-56HD	190440187	B-140-56HDT	56	.328 (8.33)				



DOUBLE SPACE ON B-101-**HDT AND B-140-**HDT ONLY

SALES DRAWING

NOTE(S):
 1. MATERIAL: COPPER (.050/1.27 THICK)
 2. PLATING: ELECTROPLATE TIN.
 3. ALL DIMENSIONS IN INCHES/(MM).

WIRE SIZE: 16-14 AWG
 1.0 - 2.5 MM²

UPDATE TO MX STDS. EC NO. ETC2003-0203 DRWN: DLM 04/05/05 CHK: HB 04/05/05 APPR: RWD 04/05/05	QUALITY SYMBOLS MAJOR = Ø CRITICAL = Ø	GENERAL TOLERANCES: (UNLESS SPECIFIED)		SCALE: NTS	DESIGN UNITS: <input type="checkbox"/> mm <input checked="" type="checkbox"/> INCH	THIRD ANGLE PROJECTION:	DIMENSIONS: <input type="checkbox"/> mm <input checked="" type="checkbox"/> INCH <input type="checkbox"/> mm ONLY	SHT	REV	
		4 PLACES	±0.-----	±.-----	DRAWN BY & DATE: DLM 03/02/28		TITLE: RING TONGUE TERMINAL HEAVY-DUTY KRIMPTITE 16-14 AWG			
		3 PLACES	±0.---	±.005	CHECKED BY & DATE: SB 03/02/28					
		2 PLACES	±0.13	±.010	APPROVED BY & DATE: RWD 03/02/28		MATERIAL NO. DRAWING NO. SHEET NO. (SEE CHART) SD-19044-008 1 OF 1			
1 PLACE	±0.25	±.---	ANGULAR: ±1/2°		CAD FILENAME: SD19044008.DGN		THIS DRAWING CONTAINS INFORMATION THAT IS PROPRIETARY TO MOLEX INCORPORATED AND SHOULD NOT BE USED WITHOUT WRITTEN PERMISSION.			
DRAFT WHERE APPLICABLE MUST REMAIN WITHIN DIMENSIONS			SIZE B							