



Chipsmall Limited consists of a professional team with an average of over 10 year of expertise in the distribution of electronic components. Based in Hongkong, we have already established firm and mutual-benefit business relationships with customers from,Europe,America and south Asia,supplying obsolete and hard-to-find components to meet their specific needs.

With the principle of “Quality Parts,Customers Priority,Honest Operation,and Considerate Service”,our business mainly focus on the distribution of electronic components. Line cards we deal with include Microchip,ALPS,ROHM,Xilinx,Pulse,ON,Everlight and Freescale. Main products comprise IC,Modules,Potentiometer,IC Socket,Relay,Connector.Our parts cover such applications as commercial,industrial, and automotives areas.

We are looking forward to setting up business relationship with you and hope to provide you with the best service and solution. Let us make a better world for our industry!



Contact us

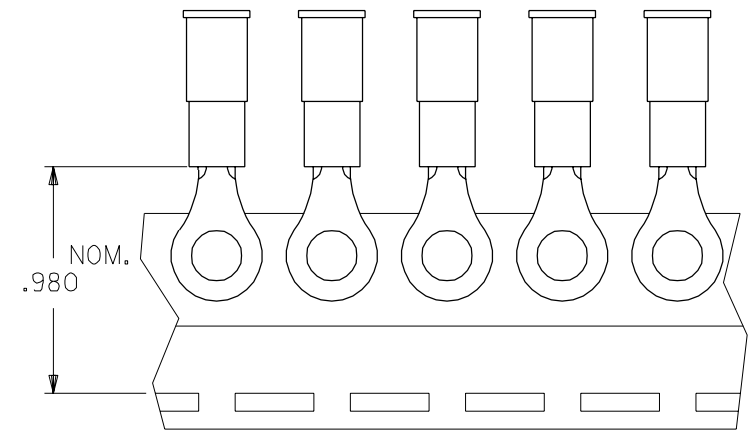
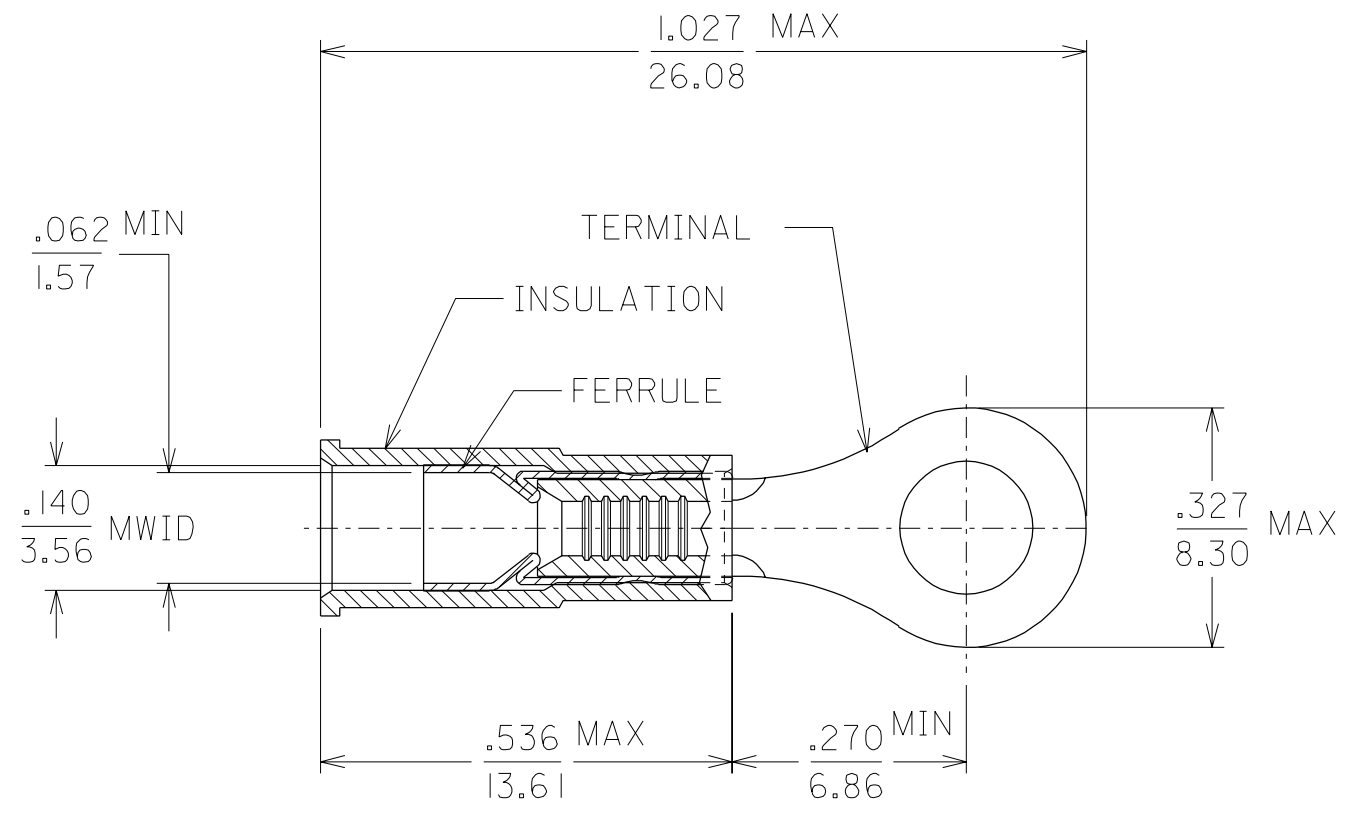
Tel: +86-755-8981 8866 Fax: +86-755-8427 6832

Email & Skype: info@chipsmall.com Web: www.chipsmall.com

Address: A1208, Overseas Decoration Building, #122 Zhenhua RD., Futian, Shenzhen, China



MATERIAL NUMBER	ALTERNATE NUMBER	"S"	WIRE RANGE	COLOR	PACKAGING
190570007	A-521-06	.146/3.70	22-18 AWG	RED	LOOSE PIECE
190570009	A-521-08	.173/4.39	22-18 AWG	RED	
190570011	A-521-10	.198/5.02	22-18 AWG	RED	
190570008	A-521-06T	.146/3.70	22-18 AWG	RED	TAPE
190570010	A-521-08T	.173/4.39	22-18 AWG	RED	
190570012	A-521-10T	.198/5.02	22-18 AWG	RED	



- MATERIAL: TERMINAL: COPPER
.028/.711 THICK.
FUNNEL FERRULE: BRASS
PLATING: ELECTRO TIN
INSULATION: NYLON 6/6
COLOR: SEE CHART
- MWID = MAXIMUM WIRE INSULATION DIAMETER
- ALL DIMENSIONS = INCHES / MM

CUSTOMER DRAWING

A	NEW CUST. DWG. ETC2001-0288 01/03/23 EDB
LTR.	REVISIONS

DIMENSIONS SHOWN (METRIC) INCH		REVISE ONLY ON CAD SYSTEM																																					
UNLESS OTHERWISE SPECIFIED TOLERANCES: ANGULAR ± 1/2°		TITLE RING TONGUE TERMINAL AVIKRIMP 500 SERIES																																					
<table border="1"> <thead> <tr> <th></th> <th>INCH</th> <th>METRIC</th> </tr> </thead> <tbody> <tr> <td>3 PLACE</td> <td>± .005</td> <td>± ---</td> </tr> <tr> <td>2 PLACE</td> <td>± .01</td> <td>± 0.13</td> </tr> <tr> <td>1 PLACE</td> <td>± ---</td> <td>± 0.25</td> </tr> </tbody> </table>			INCH	METRIC	3 PLACE	± .005	± ---	2 PLACE	± .01	± 0.13	1 PLACE	± ---	± 0.25	<table border="1"> <tr> <td colspan="2">molex ETC INC. PINELLAS PARK, FLA. 33781 U.S.A.</td> <td>SHEET NO. 1 OF 1</td> <td>DATE 01/03/23</td> </tr> <tr> <td colspan="2">DRAFT WHERE APPLICABLE MUST REMAIN WITHIN DIMENSIONS</td> <td colspan="2">PART NO. SEE TABLE</td> </tr> <tr> <td colspan="2">DRWG. BY EDB</td> <td colspan="2">CHK'D. BY HEB</td> </tr> <tr> <td colspan="2">APP'D. BY RWD</td> <td colspan="2">SCALE NO: NE</td> </tr> <tr> <td colspan="2">FILE NAME SD19057002 DGN</td> <td colspan="2">THIS DRAWING CONTAINS INFORMATION THAT IS PROPRIETARY TO MOLEX-ETC INC. AND SHOULD NOT BE USED WITHOUT WRITTEN PERMISSION.</td> </tr> <tr> <td colspan="2">DIV. ET</td> <td colspan="2">SIZE B</td> </tr> </table>		molex ETC INC. PINELLAS PARK, FLA. 33781 U.S.A.		SHEET NO. 1 OF 1	DATE 01/03/23	DRAFT WHERE APPLICABLE MUST REMAIN WITHIN DIMENSIONS		PART NO. SEE TABLE		DRWG. BY EDB		CHK'D. BY HEB		APP'D. BY RWD		SCALE NO: NE		FILE NAME SD19057002 DGN		THIS DRAWING CONTAINS INFORMATION THAT IS PROPRIETARY TO MOLEX-ETC INC. AND SHOULD NOT BE USED WITHOUT WRITTEN PERMISSION.		DIV. ET		SIZE B	
	INCH	METRIC																																					
3 PLACE	± .005	± ---																																					
2 PLACE	± .01	± 0.13																																					
1 PLACE	± ---	± 0.25																																					
molex ETC INC. PINELLAS PARK, FLA. 33781 U.S.A.		SHEET NO. 1 OF 1	DATE 01/03/23																																				
DRAFT WHERE APPLICABLE MUST REMAIN WITHIN DIMENSIONS		PART NO. SEE TABLE																																					
DRWG. BY EDB		CHK'D. BY HEB																																					
APP'D. BY RWD		SCALE NO: NE																																					
FILE NAME SD19057002 DGN		THIS DRAWING CONTAINS INFORMATION THAT IS PROPRIETARY TO MOLEX-ETC INC. AND SHOULD NOT BE USED WITHOUT WRITTEN PERMISSION.																																					
DIV. ET		SIZE B																																					
SD-19057-002		SD-19057-002																																					