



Chipsmall Limited consists of a professional team with an average of over 10 year of expertise in the distribution of electronic components. Based in Hongkong, we have already established firm and mutual-benefit business relationships with customers from,Europe,America and south Asia,supplying obsolete and hard-to-find components to meet their specific needs.

With the principle of "Quality Parts,Customers Priority,Honest Operation,and Considerate Service",our business mainly focus on the distribution of electronic components. Line cards we deal with include Microchip,ALPS,ROHM,Xilinx,Pulse,ON,Everlight and Freescale. Main products comprise IC,Modules,Potentiometer,IC Socket,Relay,Connector.Our parts cover such applications as commercial,industrial, and automotives areas.

We are looking forward to setting up business relationship with you and hope to provide you with the best service and solution. Let us make a better world for our industry!



## Contact us

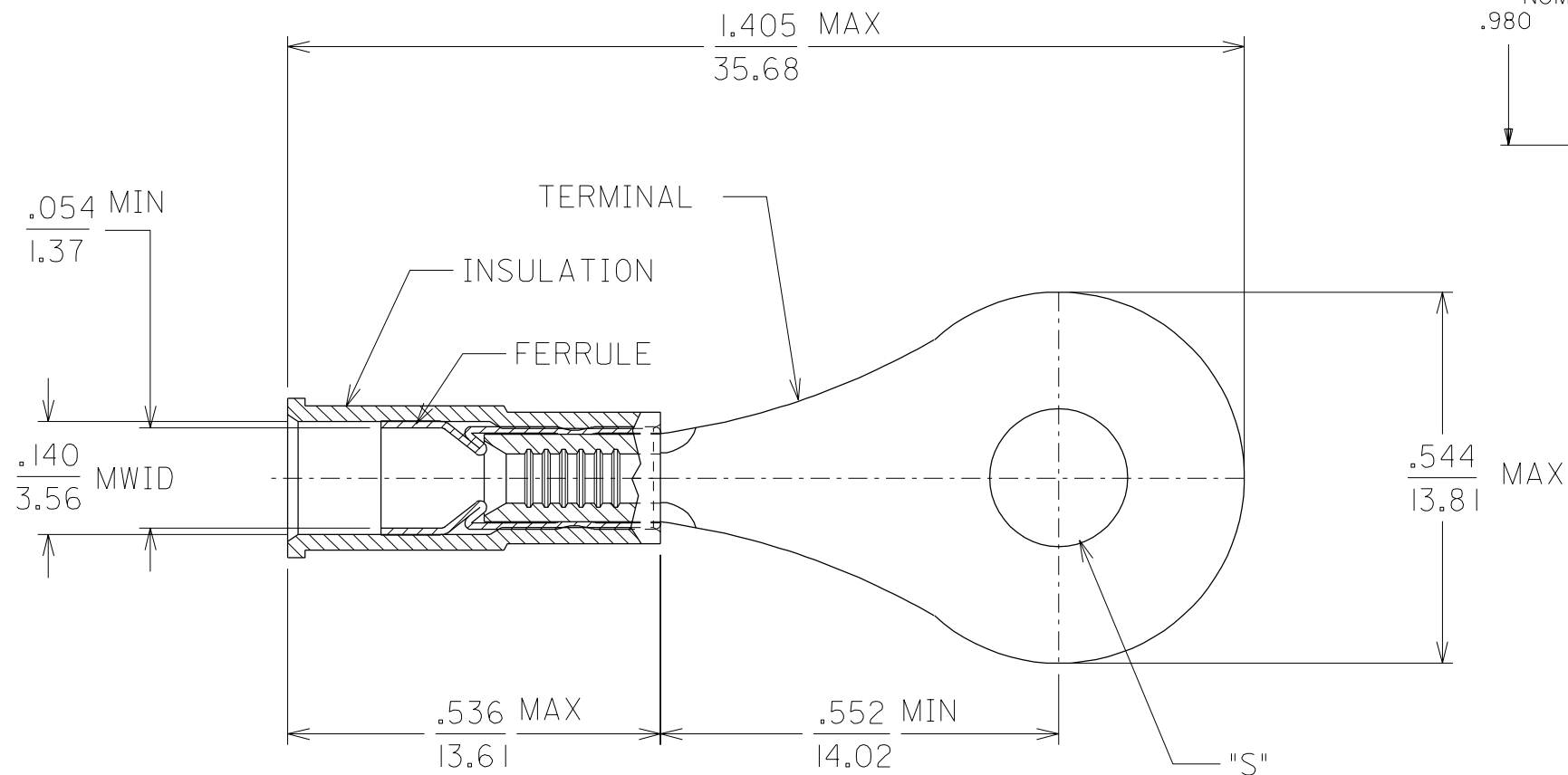
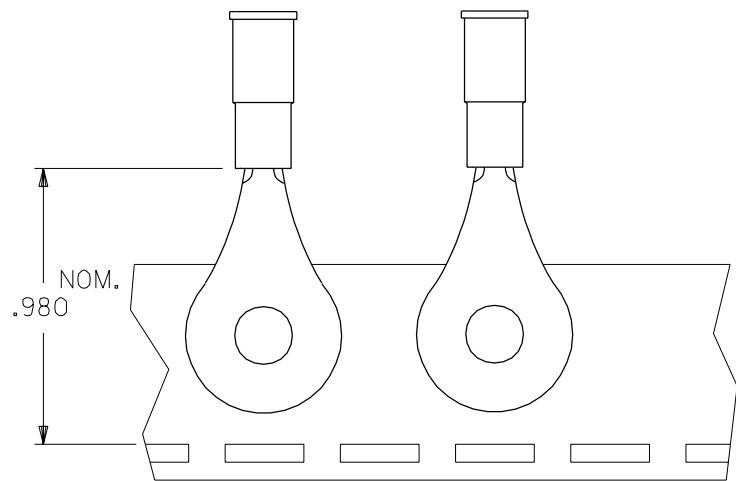
Tel: +86-755-8981 8866 Fax: +86-755-8427 6832

Email & Skype: info@chipsmall.com Web: www.chipsmall.com

Address: A1208, Overseas Decoration Building, #122 Zhenhua RD., Futian, Shenzhen, China



MATERIAL NUMBER	ALTERNATE NUMBER	"S"	WIRE RANGE	COLOR	PACKAGING
190570019	A-526-10	.198/5.02	22-18 AWG	RED	LOOSE PIECE
190570020	A-526-14	.265/6.73	22-18 AWG	RED	
190570024	A-526-56	.328/8.33	22-18 AWG	RED	
190570022	A-526-38	.390/9.90	22-18 AWG	RED	
190570021	A-526-14T	.265/6.73	22-18 AWG	RED	TAPE
190570023	A-526-38T	.390/9.90	22-18 AWG	RED	



A	NEW CUST. DWG. ETC2001-0288 01/03/23 EDB
LTR.	REVISIONS

CUSTOMER DRAWING

- MATERIAL: TERMINAL: COPPER  
.031/.787 THICK.  
FUNNEL FERRULE: BRASS  
PLATING: ELECTRO TIN  
INSULATION: NYLON 6/6  
COLOR: SEE CHART
- MWID = MAXIMUM WIRE INSULATION DIAMETER
- ALL DIMENSIONS = INCHES / MM

DIMENSIONS SHOWN (METRIC) INCH		REVISE ONLY ON CAD SYSTEM																			
UNLESS OTHERWISE SPECIFIED TOLERANCES: ANGULAR ± 1/2°		TITLE RING TONGUE TERMINAL AVIKRIMP 500 SERIES																			
<table border="1"> <thead> <tr> <th></th> <th>INCH</th> <th>METRIC</th> </tr> </thead> <tbody> <tr> <td>3 PLACE</td> <td>± .005</td> <td>± ---</td> </tr> <tr> <td>2 PLACE</td> <td>± .01</td> <td>± 0.13</td> </tr> <tr> <td>1 PLACE</td> <td>± ---</td> <td>± 0.25</td> </tr> </tbody> </table>			INCH	METRIC	3 PLACE	± .005	± ---	2 PLACE	± .01	± 0.13	1 PLACE	± ---	± 0.25	<table border="1"> <tr> <td> </td> <td>           SHEET NO. 1 OF 1         </td> <td>           DATE 01/03/23         </td> </tr> <tr> <td colspan="2">           PART NO. SEE TABLE         </td> <td>           DRWG. NO. SD-19057-004         </td> </tr> </table>			SHEET NO. 1 OF 1	DATE 01/03/23	PART NO. SEE TABLE		DRWG. NO. SD-19057-004
	INCH	METRIC																			
3 PLACE	± .005	± ---																			
2 PLACE	± .01	± 0.13																			
1 PLACE	± ---	± 0.25																			
	SHEET NO. 1 OF 1	DATE 01/03/23																			
PART NO. SEE TABLE		DRWG. NO. SD-19057-004																			
DRAFT WHERE APPLICABLE MUST REMAIN WITHIN DIMENSIONS		THIS DRAWING CONTAINS INFORMATION THAT IS PROPRIETARY TO MOLEX-ETC INC. AND SHOULD NOT BE USED WITHOUT WRITTEN PERMISSION.																			
<table border="1"> <tr> <td>DRWG. BY EDB</td> <td>CHK'D. BY HEB</td> </tr> <tr> <td>APP'D. BY RWD</td> <td>SCALE NO: NE</td> </tr> </table>	DRWG. BY EDB	CHK'D. BY HEB	APP'D. BY RWD	SCALE NO: NE	<table border="1"> <tr> <td>FILE NAME SD19057004 DGN</td> <td>DIV. ET</td> <td>SIZE B</td> </tr> </table>	FILE NAME SD19057004 DGN	DIV. ET	SIZE B													
DRWG. BY EDB	CHK'D. BY HEB																				
APP'D. BY RWD	SCALE NO: NE																				
FILE NAME SD19057004 DGN	DIV. ET	SIZE B																			