

Chipsmall Limited consists of a professional team with an average of over 10 year of expertise in the distribution of electronic components. Based in Hongkong, we have already established firm and mutual-benefit business relationships with customers from,Europe,America and south Asia,supplying obsolete and hard-to-find components to meet their specific needs.

With the principle of “Quality Parts,Customers Priority,Honest Operation,and Considerate Service”,our business mainly focus on the distribution of electronic components. Line cards we deal with include Microchip,ALPS,ROHM,Xilinx,Pulse,ON,Everlight and Freescale. Main products comprise IC,Modules,Potentiometer,IC Socket,Relay,Connector.Our parts cover such applications as commercial,industrial, and automotives areas.

We are looking forward to setting up business relationship with you and hope to provide you with the best service and solution. Let us make a better world for our industry!



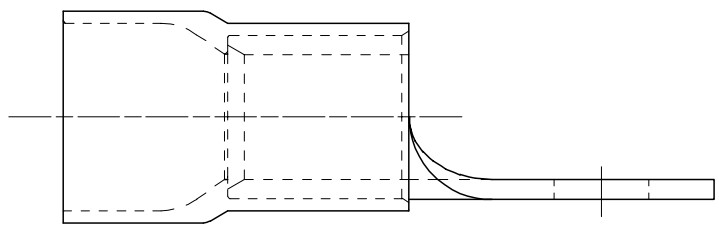
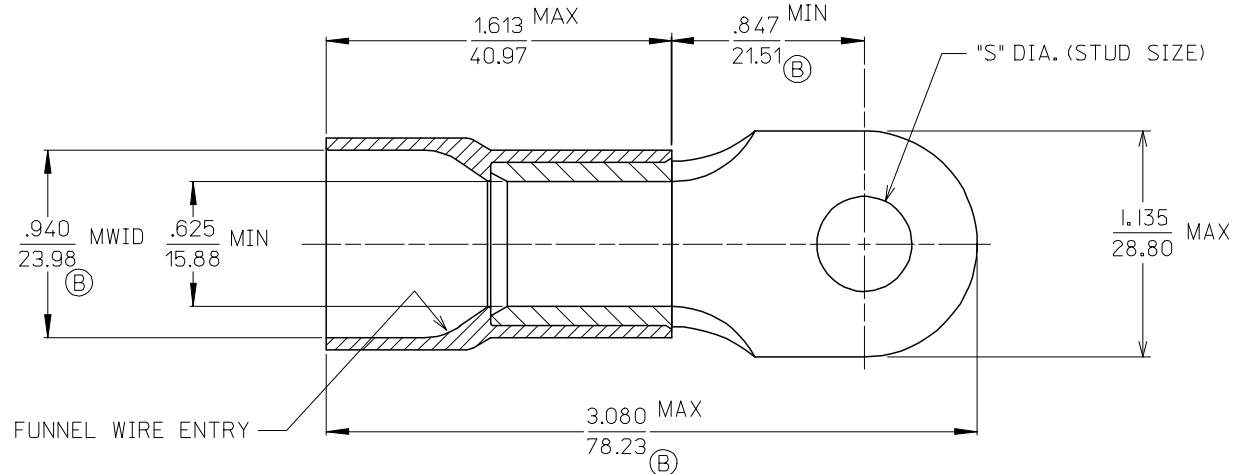
Contact us

Tel: +86-755-8981 8866 Fax: +86-755-8427 6832

Email & Skype: info@chipsmall.com Web: www.chipsmall.com

Address: A1208, Overseas Decoration Building, #122 Zhenhua RD., Futian, Shenzhen, China

MATERIAL NUMBER	ALTERNATE NUMBER	STUD SIZES	"S" REF.
190670123	L-995-12	1/2	.515
190670124	L-995-38	3/8	.390
190670125	L-995-76	7/16	.453
190670131	L-995-58	5/8	.656
190670369	L-995-56	5/16	.313



CUSTOMER DRAWING

- NOTES:
1. MATERIAL: COPPER .102 THICK
PLATING: ELECTROPLATE TIN
 2. INSULATION: BLUE NYLON 6/6
 3. MWID=MAXIMUM WIRE INSULATION DIA.
 4. ALL COMPONENTS ARE ROHS COMPLIANT.

Added 5/16" Stud Size EC NO: ETC2006-0388 DRWN: JSCHOLEY 2006/05/08 CHKD: RDEROSS 2006/05/11 APPR: RDEROSS 2006/05/11	QUALITY SYMBOLS ▽=0 ▽=0	GENERAL TOLERANCES (UNLESS SPECIFIED)		DIMENSION STYLE	SCALE	DESIGN UNITS	THIRD ANGLE PROJECTION	
				IN/MM	---	INCH	☉	
		4 PLACES	± ---	± ---	DRAWN BY	DATE	TITLE	
		3 PLACES	± ---	± .005	EDB	2001/02/02	NYLAKRIMP FUNNEL ENTRY RING TONGUE TERMINAL 4/0 AWG	
2 PLACES	± 0.13	± .01	CHECKED BY	DATE	MOLEX INCORPORATED			
1 PLACE	± 0.25	± ---	HEB	2001/02/02	MATERIAL NO. DOCUMENT NO. SHEET NO.			
ANGULAR ±1/2°			APPROVED BY	DATE	SD-19067-009		1 OF 1	
DRAFT WHERE APPLICABLE MUST REMAIN WITHIN DIMENSIONS			RWD	2001/02/02	SEE CHART			
			MATERIAL NO.	THIS DRAWING CONTAINS INFORMATION THAT IS PROPRIETARY TO MOLEX INCORPORATED AND SHOULD NOT BE USED WITHOUT WRITTEN PERMISSION				