



Chipsmall Limited consists of a professional team with an average of over 10 year of expertise in the distribution of electronic components. Based in Hongkong, we have already established firm and mutual-benefit business relationships with customers from,Europe,America and south Asia,supplying obsolete and hard-to-find components to meet their specific needs.

With the principle of “Quality Parts,Customers Priority,Honest Operation,and Considerate Service”,our business mainly focus on the distribution of electronic components. Line cards we deal with include Microchip,ALPS,ROHM,Xilinx,Pulse,ON,Everlight and Freescale. Main products comprise IC,Modules,Potentiometer,IC Socket,Relay,Connector.Our parts cover such applications as commercial,industrial, and automotives areas.

We are looking forward to setting up business relationship with you and hope to provide you with the best service and solution. Let us make a better world for our industry!



## Contact us

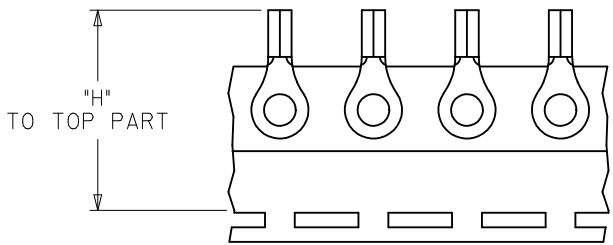
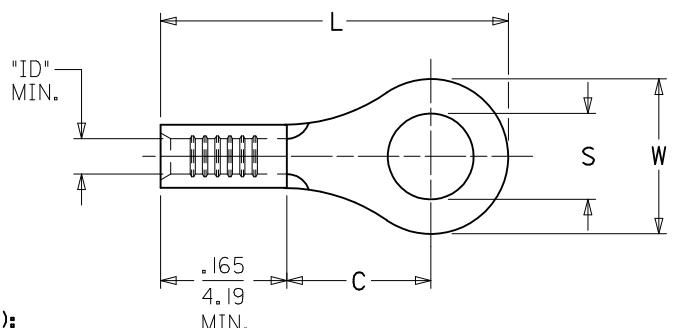
Tel: +86-755-8981 8866 Fax: +86-755-8427 6832

Email & Skype: info@chipsmall.com Web: www.chipsmall.com

Address: A1208, Overseas Decoration Building, #122 Zhenhua RD., Futian, Shenzhen, China



10	9	8	7	6	5	4	3	2	1		
MATERIAL NO. LOOSE PIECE	ENG. NO.	MATERIAL NO. TAPE MOUNTED	ENG. NO.	STUD SIZE	"S" ±.005/0.13	"W" MAX.	"C" MIN.	"L" MAX.	"ID" MIN.	STOCK THICKNESS	"H" ±.020/0.51
190690027	AA-120-02	190690028	AA-120-02T	2	.094/(2.39)	.235/(6.00)	.157/(3.99)	.484/(12.29)	.062/(1.57)	.028/(0.71)	1.155/(29.34)
190690029	AA-120-04	190690030	AA-120-04T	4	.119/(3.02)						
190690031	AA-120-06	190690032	AA-120-06T	6	.146/(3.71)	.322/(8.18)	.270/(6.86)	.641/(16.28)	.062/(1.57)	.028/(0.71)	1.155/(29.34)
190690033	AA-121-06	190690034	AA-121-06T	6	.146/(3.71)						
190690035	AA-121-08	190690036	AA-121-08T	8	.173/(4.39)						
190690037	AA-121-10	190690038	AA-121-10T	10	.198/(5.03)						
190690039	AA-121-209	190690475	AA-121-209T	209	.209/(5.18)	.477/(12.11)	.386/(9.80)	.835/(21.21)	.062/(1.57)	.028/(0.71)	1.155/(29.34)
190690040	AA-122-10	190690041	AA-122-10T	10	.198/(5.03)						
190690042	AA-122-14	190690044	AA-122-14T	14	.265/(6.71)	.544/(13.82)	.552/(14.02)	1.034/(26.26)	.055/(1.40)	.031/(0.79)	1.342/(34.09)
190690045	AA-122-56	190690046	AA-122-56T	56	.328/(8.33)						
190690047	AA-126-10	-----	-----	10	.198/(5.03)						
190690048	AA-126-14	190690128	AA-126-14T	14	.265/(6.71)						
190690051	AA-126-56	-----	-----	56	.328/(8.33)	.264/(6.70)	.240/(6.10)	.582/(14.78)	.062/(1.57)	.028/(0.71)	1.155/(29.34)
190690049	AA-126-38	190690050	AA-126-38T	38	.390/(9.91)						
190690052	AA-132-04	190690053	AA-132-04T	4	.119/(3.02)	.283/(7.20)	.240/(6.10)	.591/(15.00)	.062/(1.57)	.028/(0.71)	1.155/(29.34)
190690054	AA-132-06	190690055	AA-132-06T	6	.146/(3.71)						
190690056	AA-132-08	190690057	AA-132-08T	8	.173/(4.39)	.197/(5.00)	.173/(4.40)	.490/(12.40)	.055/(1.40)	.031/(0.79)	1.155/(29.34)
190690061	AA-133-10	190690062	AA-133-10T	10	.198/(5.03)						
190690024	AA-1111-02	190690191	AA-1111-02T	2	.094/(2.39)	.119/(3.02)	.173/(4.40)	.490/(12.40)	.055/(1.40)	.031/(0.79)	1.155/(29.34)
190690025	AA-1111-04	190690026	AA-1111-04T	4	.119/(3.02)						

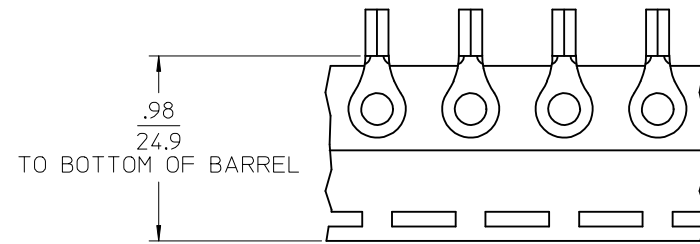
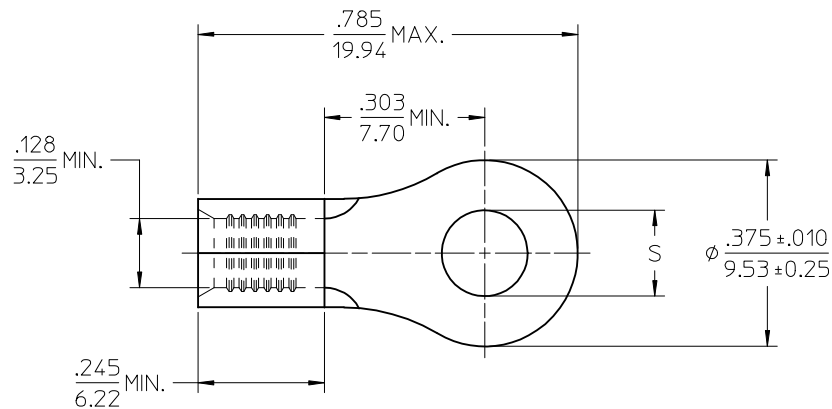


SALES DRAWING

**NOTE(S):**  
 1. MATERIAL: COPPER.  
 2. PLATING: ELECTRO-TIN.  
 3. ALL DIMENSIONS IN INCHES/(MM).  
 WIRE SIZE:  
 22-18 AWG  
 0.25-1.5 MM<sup>2</sup>  
 4. PARTS ARE ROHS COMPLIANT.

<b>STDIZE STUD TOL</b> EC NO: WNA2011-0225 DRW: HETHRODAHL 2010/10/29 CHKD: JMACNEIL 2010/11/17 APPR: JMACNEIL 2010/11/17 C2	QUALITY SYMBOLS ▽=0 ▽=0	GENERAL TOLERANCES (UNLESS SPECIFIED) <table border="1"> <tr> <th></th> <th>mm</th> <th>INCH</th> </tr> <tr> <td>4 PLACES</td> <td>±---</td> <td>±---</td> </tr> <tr> <td>3 PLACES</td> <td>±---</td> <td>±---</td> </tr> <tr> <td>2 PLACES</td> <td>±---</td> <td>±---</td> </tr> <tr> <td>1 PLACE</td> <td>±---</td> <td>±---</td> </tr> </table>		mm	INCH	4 PLACES	±---	±---	3 PLACES	±---	±---	2 PLACES	±---	±---	1 PLACE	±---	±---	DIMENSION STYLE IN/MM DRAWN BY DATE BDEROSS 2000/6/13 CHECKED BY DATE JHACKNEY 2000/6/13 APPROVED BY DATE JMACNEIL 2010/11/17	SCALE --- DESIGN UNITS INCH THIRD ANGLE PROJECTION	TITLE RING TONGUE TERMINAL KRIMPTITE, 100 SERIES 22-18 AWG
		mm	INCH																	
	4 PLACES	±---	±---																	
	3 PLACES	±---	±---																	
2 PLACES	±---	±---																		
1 PLACE	±---	±---																		
		DRAFT WHERE APPLICABLE MUST REMAIN WITHIN DIMENSIONS	MATERIAL NO. SEE CHART	DOCUMENT NO. SD-19069-004	SHEET NO. 1 OF 1															
			THIS DRAWING CONTAINS INFORMATION THAT IS PROPRIETARY TO MOLEX INCORPORATED AND SHOULD NOT BE USED WITHOUT WRITTEN PERMISSION																	

10	9	8	7	6	5	4	3	2	1						
MATERIAL NO. LOOSE PIECE	ENG. NO.	MATERIAL NO. TAPE MOUNTED	ENG. NO.	STUD SIZE	"S" ±.005/0.13	STOCK THICKNESS	FINISH								
190690200	C-128-04	190690147	C-128-04T	4	.119/(3.02)	.040/(1.02)	SEE NOTE 2								
190690202	C-128-06	190690148	C-128-06T	6	.146/(3.71)										
190690205	C-128-08	190690208	C-128-08T	8	.173/(4.39)										
190690209	C-128-10	190690212	C-128-10T	10	.198/(5.03)										
190690215	C-128-209	---	---	209	.209/(5.18)										
192030159	C-U-128-06	192030111	C-U-128-06T	6	.146/(3.71)	.038/(0.97)				SEE NOTE 3					
192030160	C-U-128-08	192030112	C-U-128-08T	8	.173/(4.39)										
192030113	C-U-128-10	192030114	C-U-128-10T	10	.198/(5.03)										
190690682	C-128-10-AU	---	---	10	.198/(5.03)	.040/(1.02)									



SALES DRAWING

- NOTES:  
 1. MATERIAL: COPPER.  
 2. FINISH: TIN PLATING, 100(2.5)µin(µm) MIN  
 3. FINISH: GOLD, 50(1.25)µin(µm) MIN. OVER NICKEL, 50(1.25)µin(µm) MIN. PLATING.  
 4. WIRE SIZE: 12-10 AWG, 4.0-6.0 MM<sup>2</sup>  
 5. PARTS ARE ROHS COMPLIANT.

RELEASED EC NO: IFC2015-0823 DRAWING: JAS01 2014/10/30 CHKD: JMACNEIL 2014/10/30 APPR: JMACNEIL 2014/11/19	DESCRIPTION A	QUALITY SYMBOLS	GENERAL TOLERANCES (UNLESS SPECIFIED)	DIMENSION STYLE		SCALE	DESIGN UNITS	THIRD ANGLE PROJECTION																	
		$\nabla=0$ $\nabla=0$	<table border="1"> <tr> <th></th> <th>mm</th> <th>INCH</th> </tr> <tr> <td>4 PLACES</td> <td>±---</td> <td>±---</td> </tr> <tr> <td>3 PLACES</td> <td>±---</td> <td>±---</td> </tr> <tr> <td>2 PLACES</td> <td>±---</td> <td>±---</td> </tr> <tr> <td>1 PLACE</td> <td>±---</td> <td>±---</td> </tr> </table>		mm	INCH	4 PLACES	±---	±---	3 PLACES	±---	±---	2 PLACES	±---	±---	1 PLACE	±---	±---	IN/MM	---	INCH	DRAWN BY: BDEROSS DATE: 2000/6/13 CHECKED BY: JMACNEIL DATE: 2014/10/30 APPROVED BY: JMACNEIL DATE: 2014/11/19			
			mm	INCH																					
		4 PLACES	±---	±---																					
3 PLACES	±---	±---																							
2 PLACES	±---	±---																							
1 PLACE	±---	±---																							
DRAFT WHERE APPLICABLE MUST REMAIN WITHIN DIMENSIONS		SEE CHART	MATERIAL NO.		DOCUMENT NO.		SHEET NO.																		
		SIZE B	THIS DRAWING CONTAINS INFORMATION THAT IS PROPRIETARY TO MOLEX INCORPORATED AND SHOULD NOT BE USED WITHOUT WRITTEN PERMISSION		SD-19069-020		1 OF 1																		